

T.I.P.: B-4673

**STATE OF NORTH CAROLINA
DEPARTMENT OF TRANSPORTATION**

**PAVEMENT MARKING PLANS
WAYNE COUNTY**

LOCATION: REPLACE BRIDGE 120 OVER WALNUT CREEK ON SR 1728

TIP NO. B-4673	SHEET NO. PMP-1
APPROVED:	
DATE: 7-6-11	
SEAL	

ROADWAY STANDARD DRAWING

THE FOLLOWING ROADWAY STANDARDS AS APPEAR IN "ROADWAY STANDARD DRAWINGS" - PROJECT SERVICES UNIT - N.C. DEPARTMENT OF TRANSPORTATION - RALEIGH, N.C., DATED JULY 2006 ARE APPLICABLE TO THIS PROJECT AND BY REFERENCE HEREBY ARE CONSIDERED A PART OF THESE PLANS:

STD. NO.	TITLE
1205.01	PAVEMENT MARKINGS - LINE TYPES AND OFFSETS
1205.02	PAVEMENT MARKINGS - 2 LANE AND MULTILANE ROADWAYS
1205.12	PAVEMENT MARKINGS - BRIDGES
1250.01	PAVEMENT MARKER SPACING
1261.01	GUARDRAIL AND BARRIER DELINEATOR SPACING
1261.02	GUARDRAIL AND BARRIER DELINEATOR TYPES
1262.01	GUARDRAIL END DELINEATION

GENERAL NOTES

THE FOLLOWING GENERAL NOTES APPLY AT ALL TIMES FOR THE DURATION OF THE CONSTRUCTION PROJECT, EXCEPT WHEN OTHERWISE NOTED IN THE PLAN, OR DIRECTED BY THE ENGINEER.

A) INSTALL PAVEMENT MARKINGS AND PAVEMENT MARKERS ON THE FINAL SURFACE AS FOLLOWS:

ROAD NAME	MARKING	MARKER
SR-1728	COLD APPLIED PLASTIC (TYPE II)	RAISED

- B) TIE PROPOSED PAVEMENT MARKING LINES TO EXISTING PAVEMENT MARKING LINES.
- C) REMOVE/REPLACE ANY CONFLICTING/DAMAGED PAVEMENT MARKINGS AND MARKERS.
- D) PASSING ZONE WILL BE DETERMINED IN THE FIELD AND MUST BE APPROVED BY THE ENGINEER.
- E) REMOVE ALL RESIDUE AND SURFACE LAITANCE BY ACCEPTABLE METHODS ON THE BRIDGE DECK PRIOR TO PLACING COLD APPLIED PLASTIC PAVEMENT MARKING.

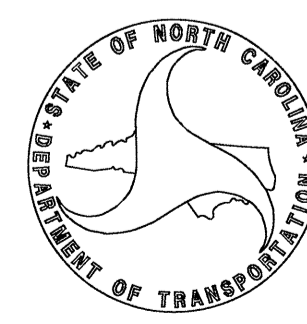
**PAVEMENT
MARKING SCHEDULE**

SYMBOL	DESCRIPTION
	COLD APPLIED PLASTIC TYPE II(4")
CA	WHITE EDGELINE
CI	YELLOW DOUBLE CENTER
	PERMANENT RAISED PAVEMENT MARKERS
MA	YELLOW & YELLOW

PLAN PREPARED BY: N.C.D.O.T. SIGNING AND DELINEATION UNIT

AYMAN ALQUDWAH, P.E. SIGNING & DELINEATION REGIONAL ENGINEER

D. PILLAR SIGNING & DELINEATION DESIGN ENGINEER



INDEX

SHEET NO.	DESCRIPTION
PMP-1	FINAL PAVEMENT MARKING PLAN COVER SHEET AND MARKING SCHEDULE
PMP-2	FINAL PAVEMENT MARKING DETAIL

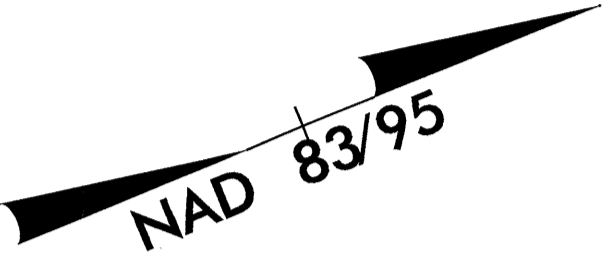
TIP NO. B-4673	SHEET NO. PMP-2
APPROVED: <i>[Signature]</i>	
DATE: 7-6-11	
SEAL	

SYMBOL AND PAVEMENT MARKING LEGEND

COLD APPLIED PLASTIC

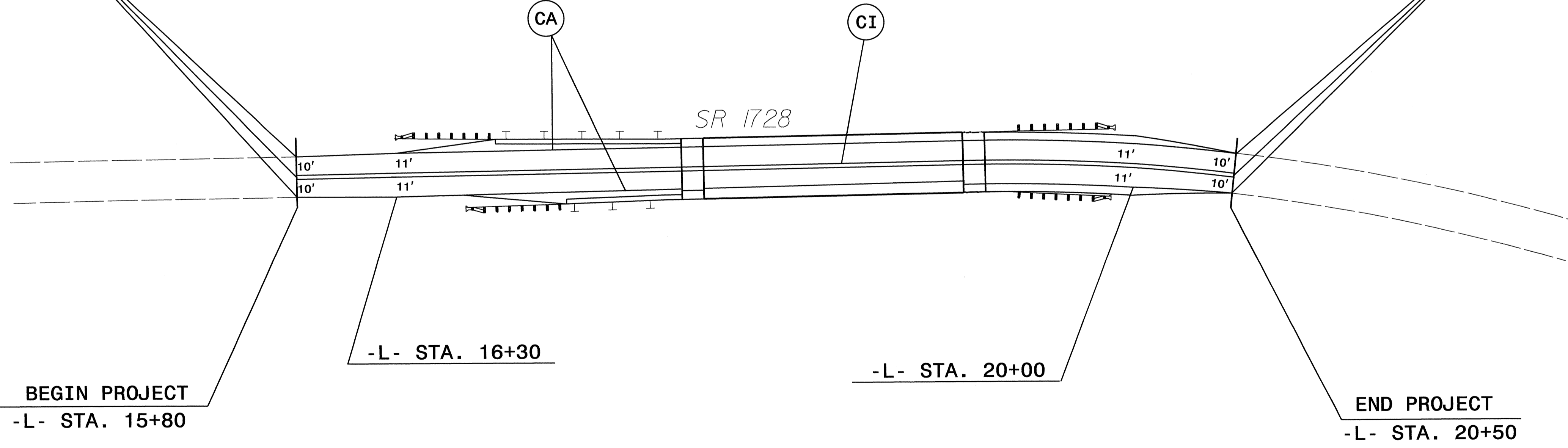
CA WHITE EDGELINE 4"

CI YELLOW DOUBLE CENTER 4"



TIE TO EXISTING
PAVEMENT MARKINGS

TIE TO EXISTING
PAVEMENT MARKINGS



PAVEMENT MARKING DETAIL