


T.I.P.: B-4463

**STATE OF NORTH CAROLINA
DEPARTMENT OF TRANSPORTATION**

**PAVEMENT MARKING PLAN
CHOWAN**

LOCATION: BRIDGE No. 12 ON NC 32 OVER QUEEN ANNE CREEK

TIP NO. B-4463	SHEET NO. PMP-1
APPROVED: <i>[Signature]</i>	
DATE: 6-7-11	
SEAL	
	

ROADWAY STANDARD DRAWING

THE FOLLOWING ROADWAY STANDARDS AS APPEAR IN "ROADWAY STANDARD DRAWINGS" - PROJECT SERVICES UNIT - N.C. DEPARTMENT OF TRANSPORTATION - RALEIGH, N.C., DATED JULY 2006 ARE APPLICABLE TO THIS PROJECT AND BY REFERENCE HEREBY ARE CONSIDERED A PART OF THESE PLANS:

STD. NO.	TITLE
1205.01	PAVEMENT MARKINGS - LINE TYPES AND OFFSETS
1205.02	PAVEMENT MARKINGS - 2 LANE AND MULTILANE ROADWAYS
1205.12	PAVEMENT MARKER - BRIDGES
1250.01	PAVEMENT MARKER SPACING
1251.01	RAISED PAVEMENT MARKERS
1261.01	GUARDRAIL AND BARRIER DELINEATOR SPACING
1261.02	GUARDRAIL AND BARRIER DELINEATOR TYPES
1262.01	GUARDRAIL END DELINEATION

GENERAL NOTES

THE FOLLOWING GENERAL NOTES APPLY AT ALL TIMES FOR THE DURATION OF THE CONSTRUCTION PROJECT, EXCEPT WHEN OTHERWISE NOTED IN THE PLAN, OR DIRECTED BY THE ENGINEER.

- A) INSTALL PAVEMENT MARKINGS AND PAVEMENT MARKERS ON THE FINAL SURFACE AS FOLLOWS:

ROAD NAME	MARKING	MARKER
NC 32 BRIDGE # 12	THERMOPLASTIC	RAISED MARKERS

- B) TIE PROPOSED PAVEMENT MARKING LINES TO EXISTING PAVEMENT MARKING LINES.
 C) REMOVE/REPLACE ANY CONFLICTING/DAMAGED PAVEMENT MARKINGS AND MARKERS.
 D) PASSING ZONES WILL BE DETERMINED IN THE FIELD AND MUST BE APPROVED BY THE ENGINEER.

INDEX

SHEET NO.	DESCRIPTION
PMP-1	PAVEMENT MARKING PLAN TITLE SHEET
PMP-2	PAVEMENT MARKING SCHEDULE & DETAIL

PLAN PREPARED BY: N.C.D.O.T. SIGNING AND DELINEATION UNIT

A.ALQUDWAH, P.E.	SIGNING & DELINEATION REGIONAL ENGINEER
BARRY NOWLIN	SIGNING & DELINEATION DESIGN TECHNICIAN

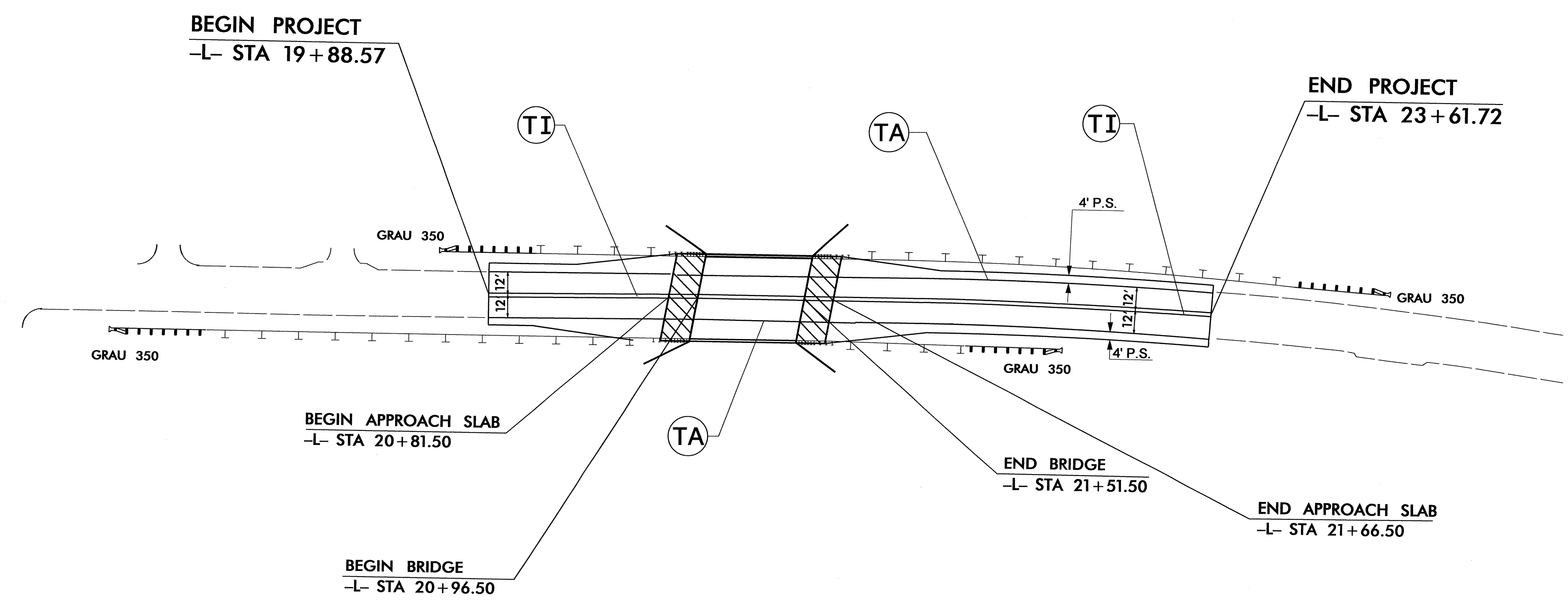
TIP NO. B-4463	SHEET NO. PMP-2
APPROVED: <i>[Signature]</i>	
DATE: 6-7-11	
SEAL	



REFER TO RSD NOS. 1205.01, 1205.02, 1205.12, 1250.01 FOR PLACEMENT OF FINAL PAVEMENT MARKINGS AND MARKERS UNLESS NOTED OTHERWISE.

SYMBOL AND PAVEMENT MARKING LEGEND	
(TA)	WHITE EDGE LINE (4")
(TI)	YELLOW DOUBLE CENTER (4")

Pavement Marking Schedule	
IP Project # B-4463	
SYMBOL	DESCRIPTION
FINAL	
PAVEMENT MARKINGS	
	THERMOPLASTIC (4")
TA	WHITE EDGELINE (1X)
TI	YELLOW DOUBLE CENTER (1X)
PERMANENT RAISED PAVEMENT MARKERS	
MA	YELLOW & YELLOW



PAVEMENT MARKING SCHEDULE & DETAIL

07-JUN-2011 09:46
 R:\Traffic\Signage\IP\B-4463\Sgn_PMP.dgn
 Alquodmani