



1/5/10.

**Project Special Provisions**  
*(Version 06.6)*  
**Signals and Intelligent Transportation Systems**

*Prepared By: M. Mahbooba  
5-Jan-10*

**Contents**

- 1. 2006 STANDARD SPECIFICATIONS FOR ROADS & STRUCTURES ..... 3**
  - 1.1. GENERAL REQUIREMENTS (1098-1)..... 3
  - 1.2. WOOD POLES (1098-6) ..... 4
  - 1.3. LOOP LEAD-IN CABLE (1098-8)..... 4
  - 1.4. UNDERGROUND CONDUIT – CONSTRUCTION METHODS (1715-3)..... 4
  - 1.5. RISER ASSEMBLIES – CONSTRUCTION METHODS (1722-3)..... 4
  - 1.6. INDUCTIVE DETECTION LOOPS – CONSTRUCTION METHODS (1725-3) ..... 4
  - 1.7. LOOP LEAD-IN CABLE – MEASUREMENT AND PAYMENT (1726-4) ..... 4
- 2. ELECTRICAL REQUIREMENTS ..... 4**
- 3. SIGNAL HEADS ..... 5**
  - 3.1. MATERIALS ..... 5
    - A. General: ..... 5
    - B. Vehicle Signal Heads: ..... 6
    - C. Signal Cable:..... 8
- 4. COMMUNICATIONS SYSTEM SUPPORT EQUIPMENT ..... 8**
  - 4.1. DESCRIPTION ..... 8
  - 4.2. MATERIALS ..... 8
    - A. General: ..... 8
    - B. Wireless Radio Support Equipment..... 8
  - 4.3. MEASUREMENT AND PAYMENT ..... 9
- 5. SPREAD SPECTRUM WIRELESS RADIO ..... 9**
  - 5.1. DESCRIPTION ..... 9
  - 5.2. MATERIALS ..... 9
    - A. 900MHz Wireless Radio Systems: ..... 9
    - B. Software: ..... 11
    - C. Directional Antenna (Yagi): ..... 11
    - D. Antenna Mounting Hardware Kit: ..... 12
    - E. Coaxial Cable: ..... 13
    - F. Standard N-Type Male Connector: ..... 13
    - G. Coaxial Cable Shield Grounding and Weatherproofing Kits: ..... 13
    - H. Lightning Arrestor: ..... 14
    - I. Disconnect Switch: ..... 14
    - J. Warning Signs(s) and Decal(s): ..... 14
  - 5.3. CONSTRUCTION METHODS ..... 15
    - A. General: ..... 15
    - B. Disconnect Switch: ..... 15
    - C. Warning Sign(s) and Decal(s): ..... 16

**U-4401**

**Signals & Intelligent Transportation Systems**

- 5.4. WARRANTY ..... 16
- 5.5. MEASUREMENT AND PAYMENT ..... 16
- 6. CONTROLLERS WITH CABINETS ..... 16**
  - 6.1. MATERIALS – TYPE 2070L CONTROLLERS ..... 16
  - 6.2. MATERIALS – GENERAL CABINETS ..... 17
  - 6.3. MATERIALS – TYPE 170E CABINETS ..... 17
    - A. *Type 170 E Cabinets General:* ..... 17
    - B. *Type 170 E Cabinet Electrical Requirements:* ..... 18
    - C. *Type 170 E Cabinet Physical Requirements:* ..... 21
    - D. *Type 170 E Model 2010 Enhanced Conflict Monitor:* ..... 21
  - 6.4. MATERIALS – TYPE 170 DETECTOR SENSOR UNITS ..... 26
- 7. REMOVAL OF EXISTING TRAFFIC SIGNAL INSTALLATION ..... 26**
  - 7.1. DESCRIPTION ..... 26
  - 7.2. CONSTRUCTION METHODS ..... 26
    - A. *General:* ..... 26
    - B. *Removal:* ..... 26
    - C. *Disposal:* ..... 27
  - 7.3. MEASUREMENT AND PAYMENT ..... 27

## 1. 2006 STANDARD SPECIFICATIONS FOR ROADS &amp; STRUCTURES

*The 2006 Standard Specifications are revised as follows:*

## 1.1. General Requirements (1098-1)

Page 10-268, Subarticle 1098-1(H)

In the first paragraph, revise the second sentence to “Ensure service disconnects are listed as meeting UL Standard UL-489 and marked as being suitable for use as service equipment.”

In the second paragraph, revise the first sentence to “Furnish NEMA Type 3R meter base rated 100 Ampere minimum that meets the requirements of the local utility. Provide meter base with sockets’ ampere rating based on sockets being wired with minimum of 167 degrees F insulated wire.”

In the second paragraph, last item on page, revise to “With or without horn bypass.”

Page 10-269, Subarticle 1098-1(H)

Revise the second line to “Listed as meeting UL Standard UL-414.”

In the first full paragraph on page, remove the first sentence.

Revise the last paragraph to “If meter base and electrical service disconnect are supplied in the same enclosure, ensure assembly is marked as being suitable for use as service equipment. Ensure combination meter and disconnect mounted in a pedestal for underground service is listed as meeting UL Standard UL-231. Otherwise, ensure combination meter and disconnect is listed as meeting UL Standard UL-67.

Page 10-269, Subarticle 1098-1 (J)

**ADD new Subarticle 1098-1 (J) Performance of Warranty Repair and Maintenance**

Provide authorization to the Traffic Electronics Center of the North Carolina Department of Transportation (NCDOT) to perform all warranty repairs after project acceptance. The decision to perform warranty work at the Traffic Electronics Center by NCDOT electronics technicians or to have warranty work performed by the vendor shall be at the discretion of the State. Provide any training required by the manufacturer to authorize the Traffic Electronics Center to perform warranty work and ensure manufacturer will furnish parts to the Traffic Electronics Center for all warranty repairs at no cost to the State. In addition, ensure the manufacturer agrees to provide prompt technical support to the NCDOT electronics technicians for a period of one year after the end of the warranty period at no cost to the State. Defective parts replaced under warranty by the Traffic Electronics Center will be returned to the vendor at the vendor’s request. Provide schematics, part lists, and other documentation to perform bench repair to the Traffic Electronics Center within two weeks upon request. The Department agrees not to divulge any proprietary information in the schematics, part lists, and other documentation upon request from the vendor. After project acceptance and at the request of the State, manufacturer shall perform warranty repairs to equipment which fails during the warranty period at no cost to the State including freight costs to ship repaired equipment back to the Traffic Electronics Center. Ensure all equipment is repaired and returned to the Traffic Electronics Center within twenty-one calendar days of receipt by the manufacturer.

Page 10-269, Subarticle 1098-1 (K)

**ADD new Subarticle 1098-1 (K) Maintenance and Repair of Materials**

Perform maintenance (testing) on all Traffic Signal Conflict Monitors every twelve (12) months for the life of the project beginning with the initial test and every twelve (12) months thereafter. Provide the initial test date via the manufacturer’s certification or via testing prior to installation of

## U-4401

## Signals &amp; Intelligent Transportation Systems

the conflict monitor at an intersection. Use the ATSI Incorporated Model PCMT-2600 Conflict Monitor Tester, or an Engineer approved equivalent. Ensure that the Conflict Monitor Tester is maintained and calibrated per the manufacturer's recommendation. Provide to the Engineer a copy of the manufacturer's certification that the Conflict Monitor Tester is in proper working order before testing the Traffic Signal Conflict Monitors. Perform the test on the Traffic Signal Conflict Monitors per the manufacturer's recommendation. For each Traffic Signal Conflict Monitor tested, provide two (2) dated copies of the test results: one (1) copy for the Engineer and one (1) copy for the traffic signal cabinet.

**1.2. Wood Poles (1098-6)**

Page 10-272, Delete article. Refer to Subarticles 1082 -3(F) and 1082-4(G).

**1.3. Loop Lead-in Cable (1098-8)**

Page 10-274, Delete article and replace with the following:

Furnish lead-in cable with two conductors of number 14 AWG fabricated from stranded tinned copper that complies with IMSA Specification 50-2 except as follows:

Ensure conductor is twisted with a maximum lay of 2.0 inches, resulting in a minimum of 6 turns per foot.

Provide a ripcord to allow cable jacket to be opened without using a cutter.

Provide length markings in a contrasting color showing sequential feet and within one percent of actual cable length. Ensure character height of the markings is approximately 0.10 inch.

**1.4. Underground Conduit – Construction Methods (1715-3)**

Page 17-10, Subarticle 1715-3(B) Section (1), Revise 1<sup>st</sup> paragraph, 2<sup>nd</sup> sentence to:

Install rigid metallic conduit for all underground runs located inside railroad right-of-way.

**1.5. Riser Assemblies – Construction Methods (1722-3)**

Page 17-18, Subarticle 1722-3, Add the following:

Transition from the rigid galvanized steel risers to underground PVC conduits using an approved rigid galvanized steel sweeping elbow with PVC female adaptor.

**1.6. Inductive Detection Loops – Construction Methods (1725-3)**

Page 17-20, Subarticle 1725-3, In the first paragraph, revise the first sentence to:

“Between where loop conductor pairs leave saw cut in pavement and junction boxes, twist loop conductor pairs a minimum of 5 turns per foot.”

**1.7. Loop Lead-in Cable – Measurement and Payment (1726-4)**

Page 17-20, Delete first paragraph and replace with the following:

*Lead-in cable* will be measured and paid as the actual linear feet of lead-in cable furnished, installed, and accepted. Measurement will be made by calculating the difference in length markings located on outer jacket from start of run to end of run for each run. Terminate all cables before determining length of cable run.

**2. ELECTRICAL REQUIREMENTS**

Ensure that an IMSA certified, or equivalent, Level II traffic qualified signal technician is standing by to provide emergency maintenance services whenever work is being performed on traffic signal controller cabinets and traffic signal controller cabinet foundations. Stand by status is

defined as being able to arrive, fully equipped, at the work site within 30 minutes ready to provide maintenance services.

### 3. SIGNAL HEADS

#### 3.1. MATERIALS

##### A. General:

Fabricate vehicle signal head housings and end caps from die-cast aluminum. Fabricate 12-inch and 16-inch pedestrian signal head housings and end caps from die-cast aluminum. Fabricate 9-inch pedestrian signal head housings, end caps, and visors from virgin polycarbonate material. Provide visor mounting screws, door latches, and hinge pins fabricated from stainless steel. Provide interior screws, fasteners, and metal parts fabricated from stainless steel or corrosion resistant material.

Fabricate tunnel and traditional visors from sheet aluminum.

Paint all surfaces inside and outside of signal housings and doors. Paint outside surfaces of tunnel and traditional visors, messenger cable mounting assemblies, pole and pedestal mounting assemblies, and pedestrian pushbutton housings. Have electrostatically-applied, fused-polyester paint in highway yellow (Federal Standard 595A, Color Chip Number 13538) a minimum of 2.5 to 3.5 mils thick. Do not apply paint to the latching hardware or rigid vehicle signal head mounting brackets for mast-arm attachments.

Have the interior surfaces of tunnel and traditional visors painted an alkyd urea black synthetic baking enamel with a minimum gloss reflectance and meeting the requirements of MIL-E-10169, "Enamel Heat Resisting, Instrument Black."

For pole mounting, provide side of pole mounting assemblies with framework and all other hardware necessary to make complete, watertight connections of the signal heads to the poles and pedestals. Fabricate the mounting assemblies and frames from aluminum with all necessary hardware, screws, washers, etc. to be stainless steel. Provide mounting fittings that match the positive locking device on the signal head with the serrations integrally cast into the brackets. Provide upper and lower pole plates that have a 1 ¼-inch vertical conduit entrance hubs with the hubs capped on the lower plate and 1 ½-inch horizontal hubs. Ensure that the assemblies provide rigid attachments to poles and pedestals so as to allow no twisting or swaying of the signal heads. Ensure that all raceways are free of sharp edges and protrusions, and can accommodate a minimum of ten Number 14 AWG conductors.

For pedestal mounting, provide a post-top slipfitter mounting assembly that matches the positive locking device on the signal head with serrations integrally cast into the slipfitter. Provide stainless steel hardware, screws, washers, etc. Provide a minimum of six 3/8 X 3/4-inch long square head bolts for attachment to pedestal. Provide a center post for multi-way slipfitters.

For light emitting diode (LED) traffic signal modules, provide the following requirements for inclusion on the Department's Qualified Products List for traffic signal equipment.

1. Sample submittal,
2. Third-party independent laboratory testing results for each submitted module with evidence of testing and conformance with all of the Design Qualification Testing specified in section 6.4 of each of the following Institute of Transportation Engineers (ITE) specifications:
  - Vehicle Traffic Control Signal Heads – Light Emitting Diode (LED) Circular Signal Supplement
  - Vehicle Traffic Control Signal Heads – Light Emitting Diode (LED) Vehicle Arrow Traffic Signal Supplement

- Pedestrian Traffic Control Signal Indications – Part 2: Light Emitting Diode (LED) Pedestrian Traffic Signal Modules.

(Note: The Department currently recognizes two approved independent testing laboratories. They are Intertek ETL Semko and Light Metrics, Incorporated with Garwood Laboratories. Independent laboratory tests from other laboratories may be considered as part of the QPL submittal at the discretion of the Department,

3. Evidence of conformance with the requirements of these specifications,
4. A manufacturer's warranty statement in accordance with the required warranty, and
5. Submittal of manufacturer's design and production documentation for the model, including but not limited to, electrical schematics, electronic component values, proprietary part numbers, bill of materials, and production electrical and photometric test parameters.

In addition to meeting the performance requirements for the minimum period of 60 months, provide a written warranty against defects in materials and workmanship for the modules for a period of 60 months after installation of the modules. During the warranty period, the manufacturer must provide replacement modules within 45 days of receipt of modules that have failed at no cost to the State. Provide manufacturer's warranty documentation to the Department during evaluation of product for inclusion on Qualified Products List (QPL).

#### **B. Vehicle Signal Heads:**

Comply with the ITE standard "Vehicle Traffic Control Signal Heads". Provide housings with provisions for attaching backplates.

Provide visors that are 8 inches in length for 8-inch vehicle signal head sections. Provide visors that are 10 inches in length for 12-inch vehicle signal heads.

Provide a termination block with one empty terminal for field wiring for each indication plus one empty terminal for the neutral conductor. Have all signal sections wired to the termination block. Provide barriers between the terminals that have terminal screws with a minimum Number 8 thread size and that will accommodate and secure spade lugs sized for a Number 10 terminal screw.

Mount termination blocks in the yellow signal head sections on all in-line vehicle signal heads. Mount the termination block in the red section on five-section vehicle signal heads.

Furnish vehicle signal head interconnecting brackets. Provide one-piece aluminum brackets less than 4.5 inches in height and with no threaded pipe connections. Provide hand holes on the bottom of the brackets to aid in installing wires to the signal heads. Lower brackets that carry no wires and are used only for connecting the bottom signal sections together may be flat in construction.

For messenger cable mounting, provide messenger cable hangers, wire outlet bodies, balance adjusters, bottom caps, wire entrance fitting brackets, and all other hardware necessary to make complete, watertight connections of the vehicle signal heads to the messenger cable. Fabricate mounting assemblies from malleable iron or steel and provide serrated rings made of aluminum. Provide messenger cable hangers and balance adjusters that are galvanized before being painted. Fabricate balance adjuster eyebolt and eyebolt nut from stainless steel or galvanized malleable iron. Provide messenger cable hangers with U-bolt clamps. Fabricate washers, screws, bolts, clevis pins, cotter pins, nuts, and U-bolt clamps from stainless steel.

For mast-arm mounting, provide rigid vehicle signal head mounting brackets and all other hardware necessary to make complete, watertight connections of the vehicle signal heads to the mast arms and to provide a means for vertically adjusting the vehicle signal heads to proper alignment. Fabricate the mounting assemblies from malleable iron or aluminum, and provide serrated rings made of aluminum.

## U-4401

## Signals &amp; Intelligent Transportation Systems

Provide LED vehicular traffic signal modules (hereafter referred to as modules) that consist of an assembly that uses LEDs as the light source in lieu of an incandescent lamp for use in traffic signal sections. Use LEDs that are aluminum indium gallium phosphorus (AlInGaP) technology for red and yellow indications and indium gallium nitride (InGaN) for green indications. Install the ultra bright type LEDs that are rated for 100,000 hours of continuous operation from -40°F to +165°F. Design modules to have a minimum useful life of 60 months and to meet all parameters of this specification during this period of useful life.

For the modules, provide spade terminals crimped to the lead wires and sized for a #10 screw connection to the existing terminal block in a standard signal head. Do not provide other types of crimped terminals with a spade adapter.

Ensure the power supply is integral to the module assembly. On the back of the module, permanently mark the date of manufacture (month & year) or some other method of identifying date of manufacture.

Tint the red, yellow and green lenses to correspond with the wavelength (chromaticity) of the LED. Transparent tinting films are unacceptable. Provide a lens that is integral to the unit with a smooth outer surface.

### 1. LED Circular Signal Modules:

Provide modules in the following configurations: 12-inch circular sections, and 8-inch circular sections. All makes and models of LED modules purchased for use on the State Highway System shall appear on the current NCDOT Traffic Signal Qualified Products List (QPL).

Provide the manufacturer's model number and the product number (assigned by the Department) for each module that appears on the 2006 or most recent Qualified Products List. In addition, provide manufacturer's certification in accordance with Article 106-3 of the *Standard Specifications*, that each module meets or exceeds the ITE "Vehicle Traffic Control Signal Heads – Light Emitting Diode (LED) Circular Signal Supplement" dated June 27, 2005 (hereafter referred to as VTCSH Circular Supplement) and other requirements stated in this specification.

Provide modules that meet the following requirements when tested under the procedures outlined in the VTCSH Circular Supplement:

Module Type	Max. Wattage at 165° F	Nominal Wattage at 77° F
12-inch red circular	17	11
8-inch red circular	13	8
12-inch green circular	15	15
8-inch green circular	12	12

For yellow circular signal modules, provide modules tested under the procedures outlined in the VTCSH Circular Supplement to insure power required at 77° F is 22 Watts or less for the 12-inch circular module and 13 Watts or less for the 8-inch circular module.

Note: Use a wattmeter having an accuracy of  $\pm 1\%$  to measure the nominal wattage and maximum wattage of a circular traffic signal module. Power may also be derived from voltage, current and power factor measurements.

### 2. LED Arrow Signal Modules

Provide 12-inch omnidirectional arrow signal modules. All makes and models of LED modules purchased for use on the State Highway System shall appear on the current NCDOT Traffic Signal Qualified Products List (QPL).

**U-4401****Signals & Intelligent Transportation Systems**

Provide the manufacturer's model number and the product number (assigned by the Department) for each module that appears on the 2006 or most recent Qualified Products List. In addition, provide manufacturer's certification in accordance with Article 106-3 of the *Standard Specifications*, that each module meets or exceeds the requirements for 12-inch omnidirectional modules specified in the ITE "Vehicle Traffic Control Signal Heads – Light Emitting Diode (LED) Vehicle Arrow Traffic Signal Supplement" dated July 1, 2007 (hereafter referred to as VTCSH Arrow Supplement) and other requirements stated in this specification.

Provide modules that meet the following requirements when tested under the procedures outlined in the VTCSH Arrow Supplement:

Module Type	Max. Wattage at 165° F	Nominal Wattage at 77° F
12-inch red circular	12	9
12-inch green circular	11	11

For yellow arrow signal modules, provide modules tested under the procedures outlined in the VTCSH Arrow Supplement to insure power required at 77° F is 12 Watts or less.

Note: Use a wattmeter having an accuracy of  $\pm 1\%$  to measure the nominal wattage and maximum wattage of an arrow traffic signal module. Power may also be derived from voltage, current and power factor measurements.

**C. Signal Cable:**

Furnish 16-4 and 16-7 signal cable that complies with IMSA specification 20-1 except provide the following conductor insulation colors:

- For 16-4 cable: white, yellow, red, and green
- For 16-7 cable: white, yellow, red, green, yellow with black stripe tracer, red with black stripe tracer, and green with black stripe tracer. Apply continuous stripe tracer on conductor insulation with a longitudinal or spiral pattern.

Provide a ripcord to allow the cable jacket to be opened without using a cutter. IMSA specification 19-1 will not be acceptable. Provide a cable jacket labeled with the IMSA specification number and provide conductors constructed of stranded copper.

**4. COMMUNICATIONS SYSTEM SUPPORT EQUIPMENT****4.1. DESCRIPTION**

Furnish communications system support equipment with all necessary hardware in accordance with the plans and specifications.

**4.2. MATERIALS****A. General:**

Furnish equipment with test probes/leads, batteries (for battery-operated units), line cords (for AC-operated units), and carrying cases. Provide operating instructions and maintenance manuals with each item.

Before starting any system testing or training, furnish all communications system support equipment.

**B. Wireless Radio Support Equipment****B.1 Wireless Radio Modem**



U-4401

Signals & Intelligent Transportation Systems

Furnish wireless radio modem identical to the type installed in the traffic signal controller cabinets to be used for emergency restoration of the system and the wireless communications system.

**B.2 Lightning Arrestor**

Furnish wireless radio lightning arrestors identical to the type installed in the traffic signal controller cabinets to be used for emergency restoration of the transient voltage suppression equipment.

**4.3. MEASUREMENT AND PAYMENT**

Actual number of wireless radio modems furnished and accepted.

Actual number of wireless radio lightning arrestors furnished and accepted.

Payment will be made under:

Furnish Wireless Radio Modems.....	Each
Furnish Wireless Lightning Arrestors.....	Each

**5. SPREAD SPECTRUM WIRELESS RADIO**

**5.1. DESCRIPTION**

Furnish and install a spread spectrum wireless radio system with all necessary hardware and signage in accordance with the plans and specifications to provide a data link between field devices (i.e. Traffic Signal Controllers, Dynamic Message Signs, etc.). Provide a radio system with a bi-directional, full duplex communications channel between two "line-of-sight" antennas using license free, spread spectrum technology operating in the 902-928 MHz frequency band.

Furnish material and workmanship conforming to the *National Electrical Code* (NEC), the *National Electrical Safety Code* (NESC), Underwriter's Laboratories (UL) or a third-party listing agency accredited by the North Carolina Department of Insurance, and all local safety codes in effect on the date of advertisement. Comply with all regulations and codes imposed by the owner of affected utility poles.

**5.2.MATERIALS**

**A. 900MHz Wireless Radio Systems:**

Furnish license free 902 – 928 MHz radio modems with antennas, coaxial cable and mounting hardware, and configuration software. Design radio modems to work in "point-to-point", "point-to-multipoint", "multipoint-to-point", and "multipoint-to-multipoint" configurations. Ensure the spread spectrum wireless radio meets the following minimum requirements:

- License free (ISM) Spread Spectrum radio band (902 – 928 MHz)
- Frequency Hopping Technology (Direct Sequence Spread Spectrum Technology is not acceptable)
- Bi-Directional, Full Duplex
- Programmable Radio Frequency (RF) output levels of 1mW, 10mW, 100mW, or 1 Watt
- A minimum of 139 user-selectable radio frequency channels, with 62 available hopping sequences (2 non-overlapping)
- RS-232 interface capable of operating from 1200 bps to 115.2 Kbps, with 8 or 9 bit format or 1200 bps Bell 202
- DB9-F connector for RS-232 port

**U-4401****Signals & Intelligent Transportation Systems**

- Maximum of 8 mSec. end-to-end latency
- 16 bit Cyclic Redundancy Check (CRC) error checking with auto re-transmit
- Built-in store-and-forward (single radio repeater – back to back radio set-ups are not allowed to accomplish this function)
- 32 Bit encryption
- Receiver Sensitivity of  $-110\text{dBm}$  @  $10^{-6}$  BER
- Antenna port: Reverse Polarity - Threaded Normalized Connector-Female (RP TNC-F) antenna connector
- Front panel LED indicators:
  - Power
  - Transmit Data
  - Receive Data
  - Data Port Indicator
- Operating temperature of  $-40$  to  $+176$  degrees F at 0 to 95% Humidity
- Power supply requirements:
  - Wall Adapter: 120 VAC UL/CSA wall cube plug-in module with 12 VDC, 1 Amp, nominal output.
  - Typical current draw of no greater than 355 mA when powered with 12 VDC input, and transmitting 1 Watt of RF output power.
  - Radio Sleep mode with a maximum current draw of  $<1\mu\text{A}$ .
- Shelf mounted design

Furnish a Radio Frequency Signal Jumper constructed of an RG-58 Coaxial Cable with Reverse Polarity - Threaded Normalized Connector-Male (RP TNC-M) on one end for connection to a radio unit and a Standard N-Type Male Connector on the other end for connection to the lightning arrester. Provide the jumper in 6 foot lengths. Ensure that the cable is assembled by a manufacturing facility. Contractor and/or Vendor assembled cables are not acceptable.

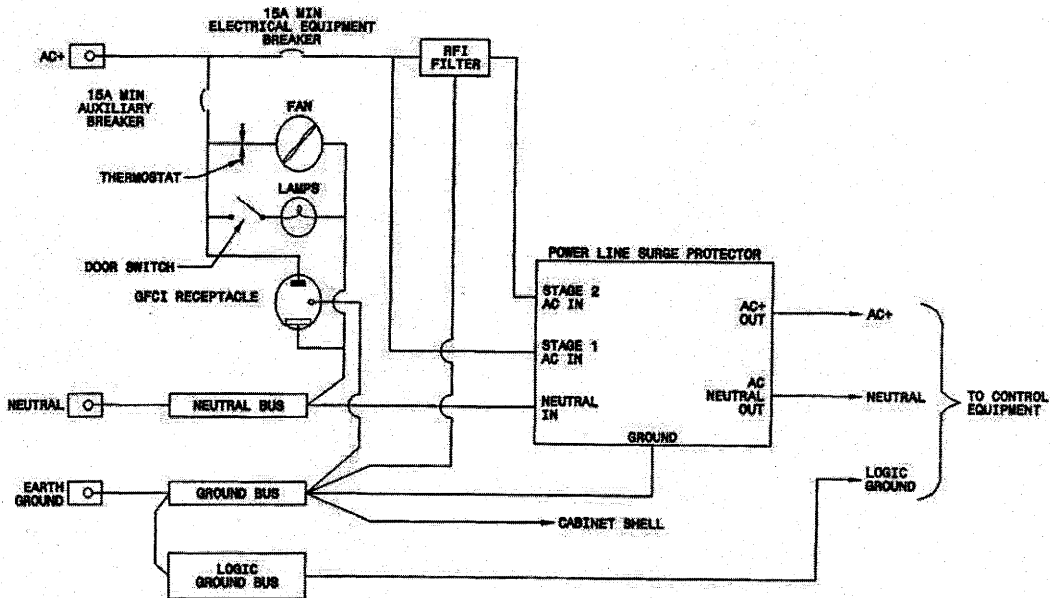
Furnish an RS-232 data interface cable to be installed between the radio modem and the field device's RS-232 interface. Ensure cable is a minimum of 6 feet long. Ensure that the cable is assembled by a manufacturing facility. Contractor and/or Vendor assembled cables are not acceptable.

Ensure that installing the wireless radio system with a fully functional field device (i.e. controller) does not require any field device modifications with regards to hardware or software.

Furnish an ENCOM Model #EP-5200 Spread Spectrum Wireless Radio or an approved equivalent.

## U-4401

## Signals &amp; Intelligent Transportation Systems

**B. Software:**

Furnish units with a Window Based™ software program that uses a GUI (Graphical User Interface) to provide “remote programming, radio configuration, remote maintenance, diagnostics and spectrum analyzer” features. For compatibility with the ENCOM wireless radio or an approved equivalent wireless radio, provide ENCOM ControlPAK software or an approved equivalent software that is designed to function with the approved wireless radio. Provide configuration software that can be upgraded in the future at no additional charge.

Ensure the radio modem is configurable from a single location (i.e. master radio location) via supplied software (no extra cost). Furnish software supplied with drivers to allow easy set-up with all industry standard traffic signal controllers, including 2070 controllers containing custom software written specifically for the North Carolina Department of Transportation. Ensure the supplied software contains pre-written drivers for industry standard radar and video detection packages and Dynamic Message Sign controllers.

**C. Directional Antenna (Yagi):**

Furnish a directional antenna that will allow the system to function as designed. Furnish a 8.5 dBd Gain or 13 dBd Gain antenna that meets the following minimum specifications:

## U-4401

## Signals &amp; Intelligent Transportation Systems

(8.5 dBd Gain)

Frequency Range	896 – 940 MHz
Nominal Gain	8.5 dBd
Front to Back Ratio	18 dB
Horizontal Beamwidth (at half power points)	65 degree
Vertical Beamwidth (at half power points)	55 degree
Power Rating, UHF Frequency	200 Watts
Lightning Protection	DC Ground
Termination	Coaxial pigtail with a Standard N-Type Female Connector
Impedance	50 ohms
Length	24"
Rated Wind Velocity	125 mph
Rated Wind Velocity (with 0.5 inch radial ice)	100 mph
Projected Wind Surface Area (flat plane equivalent)	0.26 ftsq.
Number Elements	6
Allows for Vertical or Horizontal polarization	
Minimum separation distance from persons installing and using an active device	9"
Minimum separation distance from other RF sources including radios and antennas	6.5'
Welded construction	

Furnish mounting hardware with the antenna that will secure the antenna to a mounting pipe that has a 1.5" Nominal Pipe Size (approximately 2" OD pipe diameter), as recommended by the manufacturer of the antenna and as approved by the Engineer.

**D. Antenna Mounting Hardware Kit:**

Furnish an antenna mounting kit to support the antenna when attached to a metal pole, mast arm, or wood pole. Furnish PELCO Part # AB-0604 – "Antenna Mount, Cable Astro Mini-Brac for Antenna" or an approved equivalent.

PELCO PART #	DESCRIPTION	QUANTITY
AB-0604		
AB-0336-L	CABLE ASSY, ASTRO-MINI-BRAC,SS END & GLV 84" CABLE	1
AB-0339-M2	PLATE, CABLE CLAMP, MINI-BRAC, ALU	1
FS-2098-SS	BOLT, HEX HD, 5/16" - 18 x 7/8", STAINLESS	2
FS-4201-SS	WASHER, SPLIT LOCK, 5/16", STAINLESS	2
AB-0260	TUBE CAP, PLASTIC	1
SE-0326-18	SUPPORT TUBE, 1 - 1/2" x 18" LG, ALUM	1
SE-0457-M2	ELL, SERRATED, 1 - 1/2", DOUBLE SET SCREW, DIE CAST ALUM	1
FS-3219-SS	SCREW, SET SQ HD 1/4" - 20 x 1/2", STAINLESS	4
SE-0436-24	NIPPLE, SCH 40, 1 1/2" NPS x 24" LONG, ALUM	1
FS-3205-SS	SCREW, SET SQ HD 1/4" - 20 x 5/8", STAINLESS	1
AB-0266-M3	CLAMP, MINI-BRAC CABLE MOUNT, 1 1/2" NPS, ALUM	1

**U-4401****Signals & Intelligent Transportation Systems****E. Coaxial Cable:**

Furnish 400 Series coaxial cable to provide a link between the antenna and the lightning arrestor that meets the following minimum specifications:

Attenuation (dB per 100 feet) @ 900 MHz	3.9 dB
Power Rating @ 900 Mhz	0.58 kW
Center Conductor	0.108" Copper Clad Aluminum
Dielectric: Cellular PE	0.285"
Shield	Aluminum Tape – 0.291" Tinned Copper Braid – 0.320"
Jacket	Black UV protected polyethylene
Bend Radius	1" with less than 1 ohm impedance change at bend
Impedance	50 ohms
Capacitance per foot	23.9 pf/ft
End Connectors	Standard N-Type Male Connectors on both ends

**F. Standard N-Type Male Connector:**

Furnish Standard N-Type Male Connector(s) of proper sizing to mate with the 400 series coaxial cable and utilize a crimping method to secure the connector to the coaxial cable. Furnish a connector that meets the following minimum specifications:

- Center Contact: Gold Plated Beryllium Copper-(spring loaded – Non-solder)
- Outer Contact: Silver Plated Brass
- Body: Silver Plated Brass
- Crimp Sleeve: Silver Plated Copper
- Dielectric: Teflon PTFE
- Water Proofing Sleeve: Adhesive Lined Polyolefin – Heat Shrink
- Attachment Size: Crimp Size 0.429" (minimum) hex

**Electrical Properties:**

- Impedance: 50 ohms
- Working Voltage: 1000 vrms (max)
- Insertion loss:  $0.1 \times \sqrt{F}$ ghz
- VSWR: 1.25:1 (max) up to 3GHz

Provide instructions on properly installing the connector.

**G. Coaxial Cable Shield Grounding and Weatherproofing Kits:**

Furnish a Coaxial Cable Shield Grounding Kit containing components that will adequately bond and ground the cable shield to the pole ground. Ensure the grounding kit complies with MIL-STD-188-124A Specifications "Military Standard for Grounding, Bonding and Shielding" for coaxial cable and protects the cable from lightning currents in excess of 200kA. Ensure each kit is supplied, as a minimum, with the following:

- Preformed Strap: 24 Gauge copper strap that is a minimum of 1 5/8 inch long and is sized to mate with the 400 series coaxial cable
- Tensioning Hardware: Copper nuts and lock washers
- Grounding Lead Cable: #6 AWG, stranded, insulated copper wire
- Instructions on properly installing the shield grounding system

**U-4401****Signals & Intelligent Transportation Systems**

Furnish a Weatherproofing Kit containing components that will protect the coaxial cable shield grounding system against the ingress of moisture and prevent vibrations from loosening the connections. Ensure the weatherproofing kit is supplied, as a minimum, with the following:

- Butyl Mastic Tape: 3 3/4 inches wide by 24 inches long (approximately)
- Electrical Tape: 2 inch wide by 20 inches long (approximately)
- Instructions on properly installing the weatherproofing system

**H. Lightning Arrestor:**

Furnish a lightning arrestor installed in line between each antenna and its designated radio modem inside the equipment cabinet. Furnish a Polyphaser Model # DSXL-BF lightning arrestor or an approved equivalent that meets the following minimum specifications:

- Filter Type – DC Block (None gas tube design)
- Surge: 20kA, 800MHz to 2.0GHz  $\leq 1.1 : 1$  VSWR  
18kA, 800MHz to 2.3GHz  $\leq 1.1 : 1$  VSWR  
700MHz to 2.7GHz  $\leq 1.2 : 1$  VSWR
- Insertion Loss:  $\leq 0.1$  dB over frequency range
- Max Power: 500 w @ 920MHz (750 W @ at 122° F)
- RF Power: 300 Watts
- Let Through Voltage:  $\leq \pm 3$  Volts for 3kA @ 8/20  $\mu$ s Waveform
- Throughput energy:  $\leq 0.5$   $\mu$ J for 3kA @ 8/20  $\mu$ s Waveform
- Temperature: -40 to 185° F Storage/Operating 122° F
- Vibration: 1G at 5 Hz up to 100Hz
- Unit Impedance: 50 $\Omega$
- VSWR: 1.1:1
- Frequency Range: 800 MHz to 2200 MHz
- Multistrike capability
- Low strike throughput energy
- Flange mount and bulkhead mount options
- Standard N-Type Female Connector on both the surge side and protected side connectors

**I. Disconnect Switch:**

Furnish a double pole, single throw snap switch in a weatherproof outlet box with cover, suitable for use in wet locations. Ensure outlet box and cover supports a lockout tag device. Ensure outlet box includes one 1/2-inch hole in back of box. Furnish mounting hardware, sealing gaskets and lockout tag. (NOTE: On NCDOT owned poles the “Disconnect Switch” can be omitted.)

**J. Warning Signs(s) and Decal(s):**

Furnish Warning Sign and Decal at locations called for in the plans. Furnish mounting hardware to secure the Sign to either metal or wood poles. Secure the sign to the pole using ‘Band-It’ brackets or a method approved by the engineer. (NOTE: On NCDOT owned poles the “Warning Sign” is required, however, the “Decal” may be omitted.)

### 5.3.CONSTRUCTION METHODS

#### A. General:

**Perform a radio path Site Survey test before installing any equipment.** Ensure the test evaluates the Signal Strength (dBm), Fade Margin (dB), Signal-to-Noise Ratio, Data Integrity (poll test), and a complete frequency spectrum scan. Ensure the radio path site survey test is performed using the supplied brand of radio equipment to be deployed. During the initial radio path signal strength test it may be determined that a repeater station may be necessary to complete the intended link. Provide the test results to the Engineer for review and approval. Submit copies of the test results and colored copies of the frequency spectrum scan along with an electronic copy of this information. The Engineer will approve final locations of antennas and any necessary repeater stations. Install a coaxial cable – power divider, antenna splitter cable and additional antenna at locations where it is determined that a dual antenna configuration is necessary to accommodate communications in multiple directions.

Install the antenna in such a manner that avoids conflicts with other utilities (separation distances in accordance with the guidelines of the NESCA) and as specified in the antenna manufacturer's recommendations. Secure the antenna mounting hardware to the pole and route the coaxial cable such that no strain is placed on the N-Type Male coaxial connectors. On wood pole installations, bond the antenna mounting hardware to the pole ground using # 6 AWG bare copper wire using split bolt or compression type fitting.

Install the coaxial cable shield grounding system by carefully removing the outer jacket of the coaxial cable without damaging the cable shield. Install the shield grounding system following the cable manufacturer's recommendations. Install and weatherproof the connection using the appropriate weatherproofing materials and following the manufacturer's recommendations. On wood poles, secure the #6 AWG grounding lead cable to the pole ground using split bolt or compression type fitting or an Engineer approved method. On metal poles, secure the #6 AWG grounding lead cable to the pole using an Engineer approved method.

Do not exceed the 1-inch bend radius of the coaxial cable as it traverses from the cabinet to the antenna assembly. Connect the lightning arrestor to the coaxial cable in the equipment cabinet. Properly ground and secure the arrestor in the cabinet. Permanently label all cables entering the cabinet. Ensure the power supply for the radio system is **NOT** connected to the GFCI receptacle circuit located in the cabinet. Place a copy of all manufacturer equipment specifications and instruction and maintenance manuals in the equipment cabinet.

At certain locations it may be necessary to integrate the radio system with a fiber optic system. Follow the details shown in the fiber optic splice plans.

#### B. Disconnect Switch:

At all locations, where the antenna is mounted on a joint use pole, install a double pole, snap switch to remove power from the spread spectrum wireless radio system. Do not mount weatherproof box on the traffic signal cabinet door. Drill a hole in the side of the traffic signal cabinet. Mount the outlet box over the hole using a ½-inch chase nipple and bushings. Ensure sealing gaskets are in place and no water can enter the cabinet. Securely mount the weatherproof outlet box with additional mounting screws. Bond the outlet box to the equipment ground bus. See plans for approximate mounting height. Run the power supply cord of the spread spectrum radio unit

**U-4401**

**Signals & Intelligent Transportation Systems**

into the outlet box and connect to switch. Securely attach power supply cord to equipment rack. Install disconnect switch with lockout tag cover.

Do not install power supply for the radio in a GFCI protected outlet.

**C. Warning Sign(s) and Decal(s):**

At all locations, where the antenna is mounted on a joint use pole, secure a Warning Sign to pole. Mount Warning Sign(s) at locations called for on the plans. Ensure there are no conflicts between the warning sign and surrounding utilities. Mount Warning Sign to be easily viewed. Do not mount Warning Sign under pole grounds or conduit.

Clean and remove any dirt or oil on traffic cabinet before placing Decal. Place decal adjacent to the disconnect switch located on the outside of traffic cabinet. If the antenna is mounted on an NCDOT owned pole the Decal and Switch may be omitted.

**5.4. WARRANTY**

Provide a minimum two-year warranty with each radio and antenna assembly to ensure the products are free of manufacturing defects in material and workmanship. The warranty commences on the date the radio system is accepted by the Engineer.

**5.5. MEASUREMENT AND PAYMENT**

Actual number of 900MHz wireless radio systems furnished, installed and accepted.

This item includes the appropriate sized antenna(s), radio, power supplies, disconnect/snap switch, signs, decals, data interface cable/serial cable, coaxial cable, lightning arrester, radio frequency signal jumper, coaxial cable power divider (Splitter), coaxial cable connectors, coaxial cable shield grounding system with weatherproofing, labeling and any integration between the wireless radio system and a fiber optic network if necessary, installation materials and configuration software necessary to complete this work, including the radio path Site Survey test and warranties, will be incidental.

Payment will be made under:

900MHz Wireless Radio System.....Each

**6. CONTROLLERS WITH CABINETS**

**6.1. MATERIALS – TYPE 2070L CONTROLLERS**

Conform to CALTRANS *Transportation Electrical Equipment Specifications (TEES)* (dated August 16, 2002, plus Errata 1 dated October 27, 2003 and Errata 2 dated June 08, 2004) except as required herein.

Furnish Model 2070L controllers. Ensure that removal of the CPU module from the controller will place the intersection into flash.

The Department will provide software at the beginning of the burning-in period. Contractor shall give 5 working days notice before needing software. Program software provided by the Department.



**U-4401**

**Signals & Intelligent Transportation Systems**

Provide model 2070L controllers with the latest version of OS9 operating software and device drivers, composed of the unit chassis and at a minimum the following modules and assemblies:

- MODEL 2070 1B, CPU Module, Single Board
- MODEL 2070-2A, Field I/O Module (FI/O)
- MODEL 2070-3B, Front Panel Module (FP), Display B (8x40)
- MODEL 2070-4A, Power Supply Module, 10 AMP
- MODEL 2070-7A, Async Serial Com Module (9-pin RS-232)

Furnish one additional MODEL 2070-7A, Async Serial Com Module (9-pin RS-232) for all master controller locations.

For each master location and central control center, furnish a U.S. Robotics V.92 or approved equivalent auto-dial/auto-answer external modem to accomplish the interface to the Department-furnished microcomputers. Include all necessary hardware to ensure telecommunications.

**6.2. MATERIALS – GENERAL CABINETS**

Provide a moisture resistant coating on all circuit boards.

Provide one V150LA20 MOV or equal protection on each load switch field terminal.

Provide a power line surge protector that is a two-stage device that will allow connection of the radio frequency interference filter between the stages of the device. Ensure that a maximum continuous current is at least 10A at 120V. Ensure that the device can withstand a minimum of 20 peak surge current occurrences at 20,000A for an 8x20 microsecond waveform. Provide a maximum clamp voltage of 280V at 20,000A with a nominal series inductance of 200µh. Ensure that the voltage does not exceed 280V. Provide devices that comply with the following:

Frequency (Hz)	Minimum Insertion Loss (dB)
60	0
10,000	30
50,000	55
100,000	50
500,000	50
2,000,000	60
5,000,000	40
10,000,000	20
20,000,000	25

**6.3. MATERIALS – TYPE 170E CABINETS**

**A. Type 170 E Cabinets General:**

Conform to CALTRANS *Traffic Signal Control Equipment Specifications* except as required herein.

Furnish CALTRANS Model 336S pole mounted cabinets configured for 8 vehicle phases with power distribution assemblies (PDAs) number 2, and 4 pedestrian phases or overlaps.

Furnish CALTRANS Model 332A base mounted cabinets with PDAs #2 and configured for 8 vehicle phases, 4 pedestrian phases, and 4 overlaps. When overlaps are required, provide auxiliary output files for the overlaps. Do not reassign load switches to accommodate overlaps unless shown on electrical details.

**U-4401****Signals & Intelligent Transportation Systems****B. Type 170 E Cabinet Electrical Requirements:**

Provide a cabinet assembly designed to ensure that upon leaving any cabinet switch or conflict monitor initiated flashing operation, the controller starts up in the programmed start up phases and start up interval.

Furnish two sets of non-fading cabinet wiring diagrams and schematics in a paper envelope or container and placed in the cabinet drawer.

Provide surge suppression in the cabinet for each type of cabinet device. Provide surge protection for the full capacity of the cabinet input file.

All AC+ power is subject to radio frequency signal suppression.

If additional surge protected power outlets are needed to accommodate fiber transceivers, modems, etc.; install a UL listed, industrial, heavy-duty type power outlet strip with a maximum rating of 15 A / 125 VAC, 60 Hz. Provide a strip that has a minimum of 3 grounded outlets. Ensure the power outlet strip plugs into one of the controller unit receptacles located on the rear of the PDA. Ensure power outlet strip is mounted securely; provide strain relief if necessary.

Connect detector test switches for cabinets as follows:

336S Cabinet		332A Cabinet	
Detector Call Switches	Terminals	Detector Call Switches	Terminals
Phase 1	I1-F	Phase 1	I1-W
Phase 2	I2-F	Phase 2	I4-W
Phase 3	I3-F	Phase 3	I5-W
Phase 4	I4-F	Phase 4	I8-W
Phase 5	I5-F	Phase 5	J1-W
Phase 6	I6-F	Phase 6	J4-W
Phase 7	I7-F	Phase 7	J5-W
Phase 8	I8-F	Phase 8	J8-W

Provide a terminal mounted loop surge suppresser device for each set of loop terminals in the cabinet. For a 10x700 microsecond waveform, ensure that the device can withstand a minimum of 25 peak surge current occurrences at 100A, in both differential and common modes. Ensure that the maximum breakover voltage is 170V and the maximum on-state clamping voltage is 30V. Provide a maximum response time less than 5 nanoseconds. Ensure that off-state leakage current is less than 10  $\mu$ A. Provide a nominal capacitance less than 220pf for both differential and common modes.

Provide surge suppression on each communications line entering or leaving a cabinet. Ensure that the communications surge suppresser can withstand at least 80 occurrences of an 8x20 microsecond wave form at 2000A and a 10x700 microsecond waveform at 400A. Ensure that the maximum clamping voltage is suited to the protected equipment. Provide a maximum response time less than 1 nanosecond. Provide a nominal capacitance less than 1500pf and a series resistance less than 15  $\Omega$ .

Provide surge suppression on each DC input channel in the cabinet. Ensure that the DC input channel surge suppresser can withstand a peak surge current of at least 10,000 amperes in the form of an 8x20 microsecond waveform and at least 100 occurrences of an 8x20 microsecond wave form at 2000 A. Ensure that the maximum clamping voltage is 30V. Provide a maximum response time less than 1 nanosecond and a series resistance less than 15  $\Omega$  per line.

## U-4401

## Signals &amp; Intelligent Transportation Systems

Provide protection for each preemption or 120 Vrms single phase signal input by an external stud mounted surge protector. Ensure that a minimum stud size of 1/3 inch, and Number 14 AWG minimum sized wire leads with 1 foot minimum lengths. Ensure that a peak surge trip point less than 890 volts nominal for a 600 volt rise per microsecond impulse, and 950 volts nominal for a 3000 volt per microsecond rise impulse. Provide a maximum surge response time less than 200 nanoseconds at 10 kV per microsecond. Ensure that the AC isolation channel surge suppresser can withstand at least 25 occurrences of a 8x20 waveform of 10,000 amperes and a peak single pulse 8x20 microsecond wave form of 20,000 amperes. Provide a maximum clamping voltage of 30V. Provide a maximum response time less than 1 nanosecond. Ensure that the discharge voltage is under 200 volts at 1000 amperes and the insulation resistance is 100 megaohms. Provide an absolute maximum operating line current of one ampere at 120 Vrms.

Provide conductors for surge protection wiring that are of sufficient size (ampacity) to withstand maximum overcurrents which could occur before protective device thresholds are attained and current flow is interrupted.

Furnish a fluorescent fixture in the rear across the top of the cabinet and another fluorescent fixture in the front across the top of the cabinet at a minimum. Ensure that the fixtures provide sufficient light to illuminate all terminals, labels, switches, and devices in the cabinet. Conveniently locate the fixtures so as not to interfere with a technician's ability to perform work on any devices or terminals in the cabinet. Provide a protective diffuser to cover exposed bulbs. Furnish all bulbs with the cabinet. Provide door switch actuation for the fixtures.

Furnish a police panel with a police panel door. Ensure that the police panel door permits access to the police panel when the main door is closed. Ensure that no rainwater can enter the cabinet even with the police panel door open. Provide a police panel door hinged on the right side as viewed from the front. Provide a police panel door lock that is keyed to a standard police/fire call box key. In addition to CALTRANS Specifications, provide the police panel with a toggle switch connected to switch the intersection operation between normal stop-and-go operation (AUTO) and manual operation (MANUAL). Ensure that manual control can be implemented using inputs and software such that the controller provides full programmed clearance times for the yellow clearance and red clearance for each phase while under manual control.

Provide a 1/4-inch locking phone jack in the police panel for a hand control to manually control the intersection. Provide sufficient room in the police panel for storage of a hand control and cord.

Provide detector test switches inside the cabinet on the door or other convenient location which may be used to place a call on each of eight phases based on standard CALTRANS input file designation for detector racks. Provide three positions for each switch: On (place call), Off (normal detector operation), and Momentary On (place momentary call and return to normal detector operation after switch is released). Ensure that the switches are located such that the technician can read the controller display and observe the intersection.

Provide a shorting jack inside cabinet that functions exclusively to call the controller and cabinet assembly into the automatic diagnostics functions. Ensure shorting jack will mate with a Switchcraft Model 190 plug or equivalent. Place jack in a convenient, unobstructed location inside cabinet. When the mating plug is inserted into the jack, ensure controller enters the diagnostic test mode and a controller generated monitor reset signal is placed on Pin C1-102 (monitor external reset) of the model 210 conflict monitor which causes the monitor to automatically reset.

Equip cabinet with a connector and terminal assembly designated as P20 (Magnum P/N 722120 or equivalent) for monitoring the absence of any valid AC+ signal display (defined here as red,

**U-4401****Signals & Intelligent Transportation Systems**

yellow, or green) input on any channel of the conflict monitor. Connect the terminal through a 3 1/2 feet 20 wire ribbon cable which mates on the other end to a connector (3M-3428-5302 or equivalent) installed in the front of the Type 210 enhanced conflict monitor. Ensure that the female connector which mates with the connector on the conflict monitor has keys to ensure that proper connection. Ensure that the cabinet enters the flash mode if the ribbon cable is not properly connected. Provide a P20 connector and terminal assembly that conforms to Los Angeles City DOT "Traffic Signal Specification DOT 170 ATSAC Universal and Related Equipment #54-053-02".

Terminate ribbon cable at the P20 connector and terminal assembly. Ensure the P20 connector and mating ribbon cable connector is keyed to prevent cable from being improperly installed. Wire the P20 connector to the traffic signal red displays to provide inputs to conflict monitor as shown:

Pin #	Function	Pin #	Function
1	Channel 15 Red	11	Channel 9 Red
2	Channel 16 Red	12	Channel 8 Red
3	Channel 14 Red	13	Channel 7 Red
4	GND	14	Channel 6 Red
5	Channel 13 Red	15	Channel 5 Red
6	Special Function 2	16	Channel 4 Red
7	Channel 12 Red	17	Channel 3 Red
8	Special Function 1	18	Channel 2 Red
9	Channel 10 Red	19	Channel 1 Red
10	Channel 11 Red	20	Red Enable

Provide a convenient means to jumper 120 VAC from the signal load switch AC+ supply bus to any channel Red input to the P20 connector in order to tie unused red inputs high. Ensure that easy access is provided to the jumper connecting terminals on the back side of cabinet. Locate the jumper terminals connecting to all 16 channel Red inputs in the same terminal block. For each channel Red input terminal, provide a companion terminal supplying AC+ from the signal bus. Provide one of the following two methods for providing Signal AC+ to the channel red input:

- Place a commercially available jumper plug between the channel Red input and its companion Signal Bus AC+ terminal.
- Place a jumper wire between a channel red input screw terminal and its companion Signal Bus AC+ screw terminal.

Connection between channel Red input terminal and its companion Signal Bus AC+ terminal must not require a wire greater than 1/2 inch in length.

Conform to the following Department wiring requirements:

- Wire the Red Enable monitor input to the Signal Bus AC+ terminal TB01-1.
- Do not connect either the special function 1 or the special function 2 monitor input to the red monitor card.
- Ensure that removal of the P-20 ribbon cable will cause the monitor to recognize a latching fault condition and place the cabinet into flashing operation and that this is implemented in the conflict monitor software.

Ensure that removal of the conflict monitor from the cabinet will cause the cabinet to revert to flashing operation.

Provide Model 200 load switches and Model 204 flashers.

**C. Type 170 E Cabinet Physical Requirements:**

Provide a surge protection panel with 16 loop protection devices and designed to allow sufficient free space for wire connection/disconnection and surge protection device replacement. Provide an additional three slots protected with six AC+ interconnect surge devices and two protected by four DC surge protection devices. Provide no protection devices on slot 14. Attach flash sense and stop time to the upper and lower slot as required.

- i) For pole mounted cabinets, mount surge protection devices for the AC+ interconnect cable inputs, inductive loop detector inputs, and low voltage DC inputs on a fold down panel assembly on the rear side of the input files. Fabricate the surge protection devices from sturdy aluminum and incorporate a swing down back panel to which the surge protection devices are attached. Attach the swing down panel to the assembly using thumb screws. Have the surge protection devices mounted horizontally on the panel and soldered to the feed through terminals of four 14 position terminal blocks with #8 screws mounted on the other side.
- ii) For base mounted cabinets, attach separate surge protection termination panels to each side of the cabinet rack assembly. Mount the surge protection termination panel for AC isolation devices on the same side of the cabinet as the AC service inputs. Install the surge protection termination panel for DC terminals and loop detector terminals on the opposite side of the cabinet from the AC service inputs. Attach each panel to the rack assembly using bolts and make it easily removable. Mount the surge protection devices in horizontal rows on each panel and solder to the feed through terminals of 14 position terminal blocks with #8 screws mounted on the other side. Wire the terminals to the rear of a standard input file using spade lugs for input file protection.

Provide permanent labels that indicate the slot and the pins connected to each terminal that may be viewed from the rear cabinet door. Label and orient terminals so that each pair of inputs is next to each other. Ensure the top row of terminals is connected to the upper slots and the bottom row of terminals is connected to the bottom slots. Indicate on the labeling the slot number (1-14) and the terminal pins of the input slots (either D & E for upper or J & K for lower). Terminate all grounds from the surge protection on a 15 position copper equipment ground bus attached to the rear swing down panel. Ensure that a Number 4 AWG green wire connects the surge protection panel assembly ground bus to the main cabinet equipment ground. Provide a standard input file and surge protection panel assembly that fits outside and behind the input file. Ensure the fold down panel allows for easy removal of the input file without removing the surge protection panel assembly or its parts.

Provide a minimum 14 x 16 inch pull out, hinged top shelf located immediately below controller mounting section of the cabinet. Ensure the shelf is designed to fully expose the table surface outside the controller at a height approximately even with the bottom of the controller. Ensure the shelf has a storage bin interior which is a minimum of 1 inch deep and approximately the same dimensions as the shelf. Provide an access to the storage area by lifting the hinged top of the shelf. Fabricate the shelf and slide from aluminum or stainless steel and ensure the assembly can support the 170E controller plus 15 pounds of additional weight. Ensure shelf has a locking mechanism to secure it in the fully extended position and does not inhibit the removal of the 170E controller or removal of cards inside the controller when fully extended. Provide a locking mechanism that is easily released when the shelf is to be returned to its non-use position directly under the controller.

**D. Type 170 E Model 2010 Enhanced Conflict Monitor:**

Furnish Model 2010 Enhanced Conflict Monitors that provide monitoring of 16 channels. Ensure each channel consists of a green, yellow, and red field signal input. Ensure that the conflict

**U-4401****Signals & Intelligent Transportation Systems**

monitor meets or exceeds CALTRANS Transportation Electrical Equipment Specifications dated August 16, 2002 with Erratum 1 and 2 (hereafter referred to as CALTRANS's 2002 TEES) for a model 210 monitor unit and other requirements stated in this specification.

Ensure the conflict monitor is provided with a 16 channel conflict programming card. Pin 16 and Pin T of the programming card shall be connected together. Ensure that the absence of the conflict programming card will cause the conflict monitor to trigger (enter into fault mode), and remain in the triggered state until the programming card is properly inserted and the conflict monitor is reset.

Provide a conflict monitor that incorporates LED indicators into the front panel to dynamically display the status of the monitor under normal conditions and to provide a comprehensive review of field inputs with monitor status under fault conditions. Ensure that the monitor indicates the channels that were active during a conflict condition and the channels that experienced a failure for all other per channel fault conditions detected. Ensure that these indications and the status of each channel are retained until the Conflict Monitor is reset. Furnish LED indicators for the following:

- AC Power
- VDC Failed
- WDT Error
- Conflict
- Red Fail
- Dual Indication
- Short Yellow/Sequence Failure
- Program Card/PC Ajar
- Monitor Fail/Diagnostic Failure
- Channel Indicators (One indicator for each green, yellow, and red field signal input for each channel)

In addition to the connectors required by CALTRANS's 2002 TEES, provide the conflict monitor with a red interface connector mounted on the front of the monitor (3M-3428-5302 or equivalent with polarizing keys) which ensures proper mating with a 20 pin ribbon cable connector that conducts the signals from the P20 connector on the cabinet assembly. Keying of the connector shall be between pins 3 and 5, and between 17 and 19. The odd numbered pins are on one side, and the even pins are on the other. Provide connector pins on the monitor with the following functions:

<b>Pin #</b>	<b>Function</b>	<b>Pin #</b>	<b>Function</b>
1	Channel 15 Red	2	Channel 16 Red
3	Channel 14 Red	4	Chassis Ground
5	Channel 13 Red	6	Special Function 2
7	Channel 12 Red	8	Special Function 1
9	Channel 10 Red	10	Channel 11 Red
11	Channel 9 Red	12	Channel 8 Red
13	Channel 7 Red	14	Channel 6 Red
15	Channel 5 Red	16	Channel 4 Red
17	Channel 3 Red	18	Channel 2 Red
19	Channel 1 Red	20	Red Enable

## U-4401

## Signals &amp; Intelligent Transportation Systems

Ensure that the removal of the P-20 red interface ribbon cable will cause the monitor to recognize a latching fault condition and place the cabinet into flashing operation.

Provide Special Function 1 and Special Function 2 inputs to the unit which shall disable only Red Fail Monitoring when either input is sensed active. A Special Function input shall be sensed active when the input voltage exceeds 70 Vrms with a minimum duration of 550 ms. A Special Function input shall be sensed not active when the input voltage is less than 50 Vrms or the duration is less than 250 ms. A Special Function input is undefined by these specifications and may or may not be sensed active when the input voltage is between 50 Vrms and 70 Vrms or the duration is between 250 ms and 550 ms.

Ensure the conflict monitor recognizes field signal inputs for each channel that meet the following requirements:

- consider a Red input greater than 70 Vrms and with a duration of at least 500 ms as an “on” condition;
- consider a Red input less than 50 Vrms or with a duration of less than 200 ms as an “off” condition (no valid signal);
- consider a Red input between 50 Vrms and 70 Vrms or with a duration between 200 ms and 500 ms to be undefined by these specifications;
- consider a Green or Yellow input greater than 25 Vrms and with a duration of at least 500 ms as an “on” condition;
- consider a Green or Yellow input less than 15 Vrms or with a duration of less than 200 ms as an “off” condition; and
- consider a Green or Yellow input between 15 Vrms and 25 Vrms or with a duration between 200 ms and 500 ms to be undefined by these specifications.

Provide a conflict monitor that recognizes the faults specified by CALTRANS’s 2002 TEES and the following additional faults. Ensure the conflict monitor will trigger upon detection of a fault and will remain in the triggered (in fault mode) state until the unit is reset at the front panel or through the external remote reset input for the following failures:

1. **Red Monitoring or Absence of Any Indication (Red Failure):** A condition in which no “on” voltage signal is detected on any of the green, yellow, or red inputs to a given monitor channel. If a signal is not detected on at least one input (R, Y, or G) of a conflict monitor channel for a period greater than 1000 ms when used with a 170 controller and 1500 ms when used with a 2070L controller, ensure monitor will trigger and put the intersection into flash. If the absence of any indication condition lasts less than 750 ms when used with a 170 controller and 1200 ms when used with a 2070L controller, ensure conflict monitor will not trigger. Have red monitoring occur when both the following input conditions are in effect:
  - a) Red Enable input to monitor is active (Red Enable voltages are “on” at greater than 70 Vrms, off at less than 50 Vrms, undefined between 50 and 70 Vrms), and
  - b) neither Special Function 1 nor Special Function 2 inputs are active.
2. **Short/Missing Yellow Indication Error (Sequence Error):** Yellow indication following a green is missing or shorter than 2.7 seconds (with  $\pm 0.1$ -second accuracy). If a channel fails to detect an “on” signal at the Yellow input for a minimum of 2.7 seconds ( $\pm 0.1$  second) following the detection of an “on” signal at a Green input for that channel, ensure that the monitor triggers and generates a sequence/short yellow error fault indication. This fault shall not occur when the channel is programmed for Yellow Inhibit or when the Red Enable signal is inactive.

## U-4401

## Signals &amp; Intelligent Transportation Systems

3. **Dual Indications on the Same Channel:** In this condition, more than one indication (R,Y,G) is detected as “on” at the same time on the same channel. If dual indications are detected for a period greater than 500 ms, ensure that the conflict monitor triggers and displays the proper failure indication (Dual Ind fault). If this condition is detected for less than 200 ms, ensure that the monitor does not trigger. G-Y-R dual indication monitoring shall be enabled on a per channel basis by use of switches located on the conflict monitor. G-Y dual indication monitoring shall be enabled for all channels by use of a switch located on the conflict monitor.
4. **Configuration Settings Change:** The configuration settings are comprised of (as a minimum) the permissive diode matrix, dual indication switches, yellow disable jumpers, any option switches, any option jumpers, and the Watchdog Enable switch. Ensure the conflict monitor compares the current configuration settings with the previous stored configuration settings on power-up, on reset, and periodically during operation. If any of the configuration settings are changed, ensure that the conflict monitor triggers and causes the program card indicator to flash. Ensure that configuration change faults are only reset by depressing and holding the front panel reset button for five seconds. Ensure the external remote reset input does not reset configuration change faults.

Ensure the conflict monitor will trigger and the AC Power indicator will flash at a rate of 2 Hz  $\pm$  20% with a 50% duty cycle when the AC Line voltage falls below the “drop-out” level. Ensure the conflict monitor will resume normal operation when the AC Line voltage returns above the “restore” level. Ensure the AC Power indicator will remain illuminated when the AC voltage returns above the “restore” level. The “drop-out” level is at 98 Vrms and the “restore” level is at 103 Vrms with timing at 400 ms. Should an AC Line power interruption occur while the monitor is in the fault mode, then upon restoration of AC Line power, the monitor will remain in the fault mode and the correct fault and channel indicators will be displayed.

Provide a flash interval of at least 6 seconds and at most 10 seconds in duration following a power-up, an AC Line interruption, or a brownout restore. Ensure the conflict monitor will suspend all fault monitoring functions, close the Output relay contacts, and flash the AC indicator at a rate of 4 Hz  $\pm$  20% with a 50% duty cycle during this interval. Ensure the termination of the flash interval after at least 6 seconds if the Watchdog input has made 5 transitions between the True and False state and the AC Line voltage is greater than the “restore” level. If the watchdog input has not made 5 transitions between the True and False state within 10  $\pm$  0.5 seconds, the monitor shall enter a WDT error fault condition.

Ensure to monitor an intersection with up to four approaches using the four-section Flashing Yellow Arrow (FYA) vehicle traffic signal as outlined by the NCHRP 3-54 research project for protected-permissive left turn signal displays. Ensure the conflict monitor will operate in the FYA mode and FYAc (Compact) mode as specified below to monitor each channel for the following fault conditions: Conflict, Red Fail, Dual Indication, and Clearance. Provide a switch to select between the FYA mode and FYAc mode. Provide a switch to select each FYA phase movement for monitoring.

#### FYA mode

FYA Signal Head	Phase 1	Phase 3	Phase 5	Phase 7
Red Arrow	Channel 9 Red	Channel 10 Red	Channel 11 Red	Channel 12 Red



**U-4401****Signals & Intelligent Transportation Systems**

Yellow Arrow	Channel 9 Yellow	Channel 10 Yellow	Channel 11 Yellow	Channel 12 Yellow
Flashing Yellow Arrow	Channel 9 Green	Channel 10 Green	Channel 11 Green	Channel 12 Green
Green Arrow	Channel 1 Green	Channel 3 Green	Channel 5 Green	Channel 7 Green

**FYAc mode**

FYA Signal Head	Phase 1	Phase 3	Phase 5	Phase 7
Red Arrow	Channel 1 Red	Channel 3 Red	Channel 5 Red	Channel 7 Red
Yellow Arrow	Channel 1 Yellow	Channel 3 Yellow	Channel 5 Yellow	Channel 7 Yellow
Flashing Yellow Arrow	Channel 1 Green	Channel 3 Green	Channel 5 Green	Channel 7 Green
Green Arrow	Channel 9 Green	Channel 9 Yellow	Channel 10 Green	Channel 10 Yellow

Ensure that the conflict monitor will log at least nine of the most recent events detected by the monitor in non-volatile EEPROM memory (or equivalent). For each event, record at a minimum the time, date, type of event, status of each field signal indication with RMS voltage, and specific channels involved with the event. Ensure the conflict monitor will log the following events: monitor reset, configuration, previous fault, and AC line. Furnish the signal sequence log that shows all channel states (Greens, Yellows, and Reds) and the Red Enable State for a minimum of 2 seconds prior to the current fault trigger point. Ensure the display resolution of the inputs for the signal sequence log is not greater than 50 ms.

Provide a RS-232C/D compliant port (DB-9 female connector) on the front panel of the conflict monitor in order to provide communications from the conflict monitor to the 170/2070L controller or to a Department-furnished laptop computer. Electrically isolate the port interface electronics from all monitor electronics, excluding Chassis Ground. Ensure that the controller can receive all event log information through a controller Asynchronous Communications Interface Adapter (Type 170E) or Async Serial Comm Module (2070L). Provide a Windows based graphic user interface software to communicate directly through the same monitor RS-232C/D compliant port to retrieve and view all event log information to a Department-furnished laptop computer. The RS-232C/D compliant port on the monitor shall allow the monitor to function as a DCE device with pin connections as follows:

Conflict Monitor RS-232C/D (DB-9 Female) Pinout		
Pin Number	Function	I/O
1	DCD	O
2	TX Data	O
3	RX Data	I
4	DTR	I
5	Ground	-
6	DSR	O
7	CTS	I
8	RTS	O
9	NC	-

#### 6.4. MATERIALS – TYPE 170 DETECTOR SENSOR UNITS

Furnish detector sensor units that comply with Chapter 5, "General Requirements for Detector Sensor Units," of the CALTRANS Specifications, and the requirements for Model 222 and Model 224 loop detector sensor units.

### 7. REMOVAL OF EXISTING TRAFFIC SIGNAL INSTALLATION

#### 7.1. DESCRIPTION

Remove existing traffic signal installation.

#### 7.2. CONSTRUCTION METHODS

##### A. General:

Remove existing traffic signal installation at the following location:

SR 2805 at SR 2804 (Existing Signal) ..... (10-1710)(Existing Signal)

Maintain and repair traffic signal equipment within the limits of the project until the traffic signal equipment is disconnected and stockpiled.

##### B. Removal:

Dismantle and remove existing traffic signal equipment and material, excluding joint use poles. Disconnect and remove all Department equipment from joint use poles in a manner that will not damage the poles or existing utilities. Cut electrical conduit and remove to at least 18 inches below finished ground elevation unless otherwise directed by the Engineer.

Install the required regulatory signs in accordance with Sections 900, 901, and 903 of the *Standard Specifications* before deactivating the traffic signal installation. Cover the signs with burlap bags until the traffic signal is put into flashing operation.

Place the traffic signal installation into flashing operation and immediately uncover the signs. Operate in flash mode for a minimum of one week.

Deactivate, dismantle, and remove the traffic signal installation after the one-week period unless otherwise directed by the Engineer.

Use methods to remove the traffic signal installation that will not result in damage to other portions of the project or facility. Repair damage that results from the Contractor's actions at no additional cost to the Department.

**U-4401**

**Signals & Intelligent Transportation Systems**

Final acceptance of the project is contingent upon the removal of the existing traffic signal installation. Removal of the existing traffic signal is part of the work required by the final completion date.

**C. Disposal:**

Remove all Department traffic signal equipment, span poles, messenger cable, interconnect cable, and supporting hardware that will not be reused. Assume ownership and promptly transport the removed poles, messenger cable, interconnect cable, and supporting hardware. Return all other traffic signal equipment and material to the Traffic Services Office within the Division responsible for the administration of the project.

Return the removed equipment and material between the hours of 8:00 a.m. and 12:00 p.m. Monday through Thursday, or at a time mutually agreed upon by the Contractor and the Engineer. Replace or repair all material lost or damaged during its removal and transit. Label all returned equipment and material to indicate its original location.

**7.3. MEASUREMENT AND PAYMENT**

Actual number of intersections that were completely cleared of all traffic signal equipment. The traffic signal equipment shall have existed along the roadway before the start of construction on the project, shall have had no changes made to the phasing or timing by the Contractor, shall have had no additional equipment installed by the Contractor during the life of the project (excluding equipment for maintenance), and shall have been removed as a part of the project.

Payment will be made under:

Traffic Signal Removal.....Each