

T.I.P.: B-4559

**STATE OF NORTH CAROLINA
DEPARTMENT OF TRANSPORTATION**

**PAVEMENT MARKING PLAN
JOHNSTON COUNTY**

LOCATION: REPLACE BRIDGE 84 OVER BLACK CREEK ON SR 1330 (RALEIGH RD)

TIP NO. B-4559	SHEET NO. PMP-1
APPROVED:	
DATE: 1-4-10	
SEAL	

ROADWAY STANDARD DRAWING

THE FOLLOWING ROADWAY STANDARDS AS APPEAR IN "ROADWAY STANDARD DRAWINGS" - PROJECT SERVICES UNIT - N.C. DEPARTMENT OF TRANSPORTATION - RALEIGH, N.C., DATED JULY 2006 ARE APPLICABLE TO THIS PROJECT AND BY REFERENCE HEREBY ARE CONSIDERED A PART OF THESE PLANS:

STD. NO.	TITLE
1205.01	PAVEMENT MARKINGS - LINE TYPES AND OFFSETS
1205.02	PAVEMENT MARKINGS - 2 LANE AND MULTILANE ROADWAYS
1205.12	PAVEMENT MARKINGS - BRIDGES
1250.01	PAVEMENT MARKER SPACING
1251.01	RAISED PAVEMENT MARKERS - TEMPORARY AND PERMANENT
1261.01	GUARDRAIL AND BARRIER DELINEATOR SPACING
1261.02	GUARDRAIL AND BARRIER DELINEATOR TYPES
1262.01	GUARDRAIL END DELINEATION

GENERAL NOTES

THE FOLLOWING GENERAL NOTES APPLY AT ALL TIMES FOR THE DURATION OF THE CONSTRUCTION PROJECT, EXCEPT WHEN OTHERWISE NOTED IN THE PLAN, OR DIRECTED BY THE ENGINEER.

- A) INSTALL PAVEMENT MARKINGS AND PAVEMENT MARKERS ON THE FINAL SURFACE AS FOLLOWS:

ROAD NAME	MARKING	MARKER
SR-1330	PAINT	RAISED
- B) PLACE TWO APPLICATIONS OF PAINT PAVEMENT MARKINGS ON THE FINAL WEARING SURFACE. PLACE THE SECOND APPLICATION OF PAINT UPON SUFFICIENT DRYING TIME OF THE FIRST.
- C) TIE PROPOSED PAVEMENT MARKING LINES TO EXISTING PAVEMENT MARKING LINES.
- D) REMOVE/REPLACE ANY CONFLICTING/DAMAGED PAVEMENT MARKINGS AND MARKERS.
- E) PASSING ZONES WILL BE DETERMINED IN THE FIELD AND MUST BE APPROVED BY THE ENGINEER.
- F) MARKERS ARE TO BE PLACED ACCORDING TO THE ROADWAY STANDARD DRAWINGS.

FINAL PAVEMENT MARKING SCHEDULE

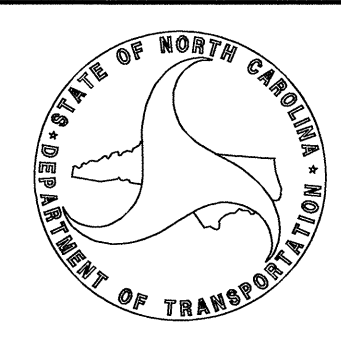
SYMBOL	DESCRIPTION	QUANTITY BREAKDOWN		TOTAL QUANTITY
		QUANTITY	UNIT	
PA	WHITE EDGELINE	2161	LF	TOTAL 4322 LF
PI	YELLOW DOUBLE CENTER	2161	LF	
PERMANENT RAISED PAVEMENT MARKERS				
MA	YELLOW & YELLOW	10	EA	TOTAL 10 EA

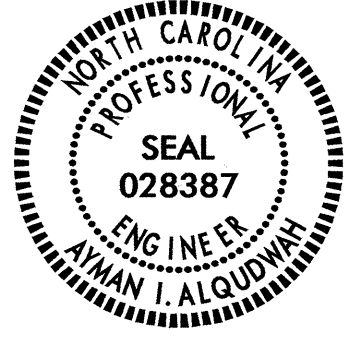
INDEX

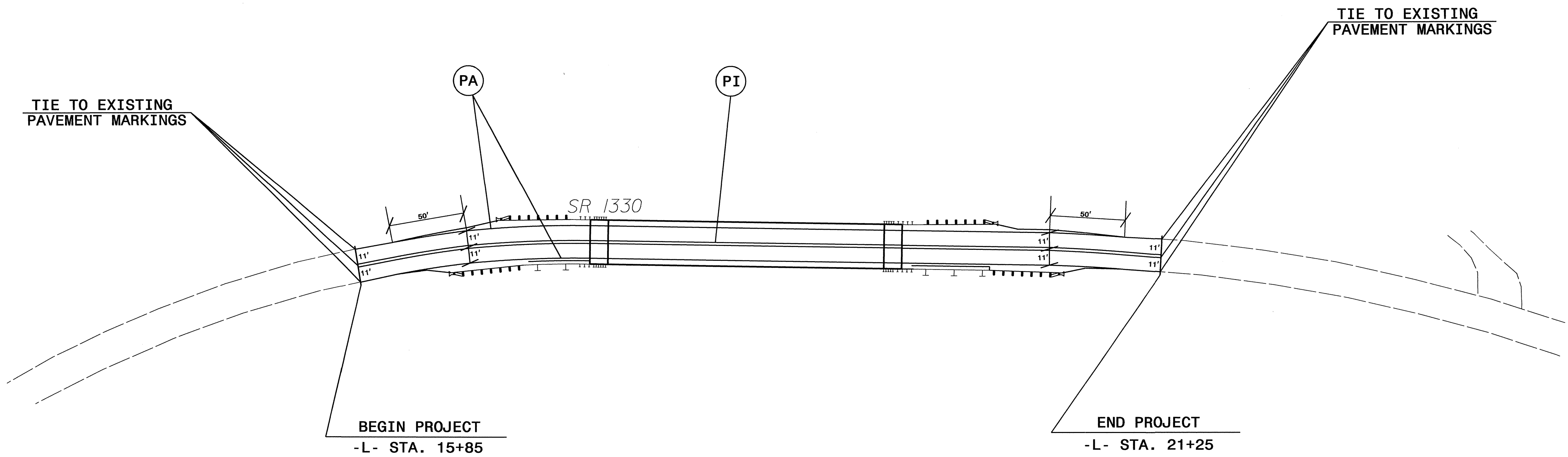
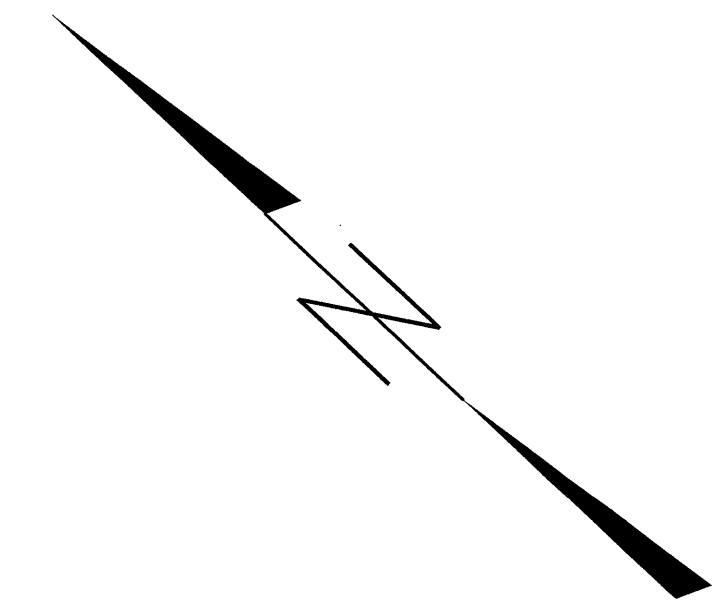
SHEET NO.	DESCRIPTION
PMP-1	PAVEMENT MARKING PLAN COVER SHEET AND MARKING SCHEDULE
PMP-2	PAVEMENT MARKING DETAIL

PLAN PREPARED BY: N.C.D.O.T. SIGNING AND DELINEATION UNIT

AYMAN ALQUDWAH, P.E. SIGNING & DELINEATION REGIONAL ENGINEER
D. PILLAR SIGNING & DELINEATION DESIGN ENGINEER



TIP NO. B-4559	SHEET NO. PMP-2
APPROVED: <i>[Signature]</i>	
DATE: 1-4-10	
SEAL	
	



PAVEMENT MARKING DETAIL