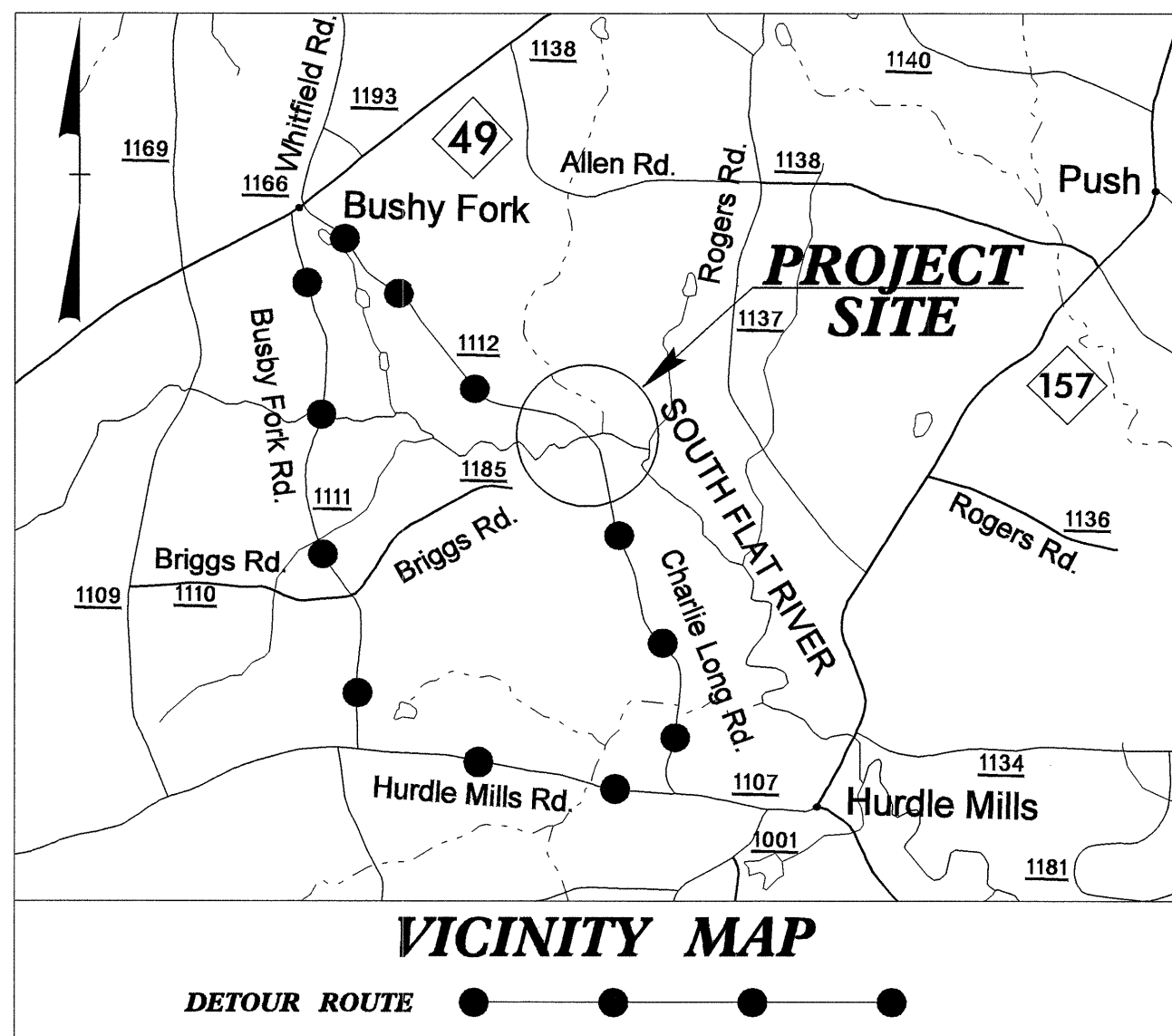


TIP PROJECT: B-4600

CONTRACT: C202338



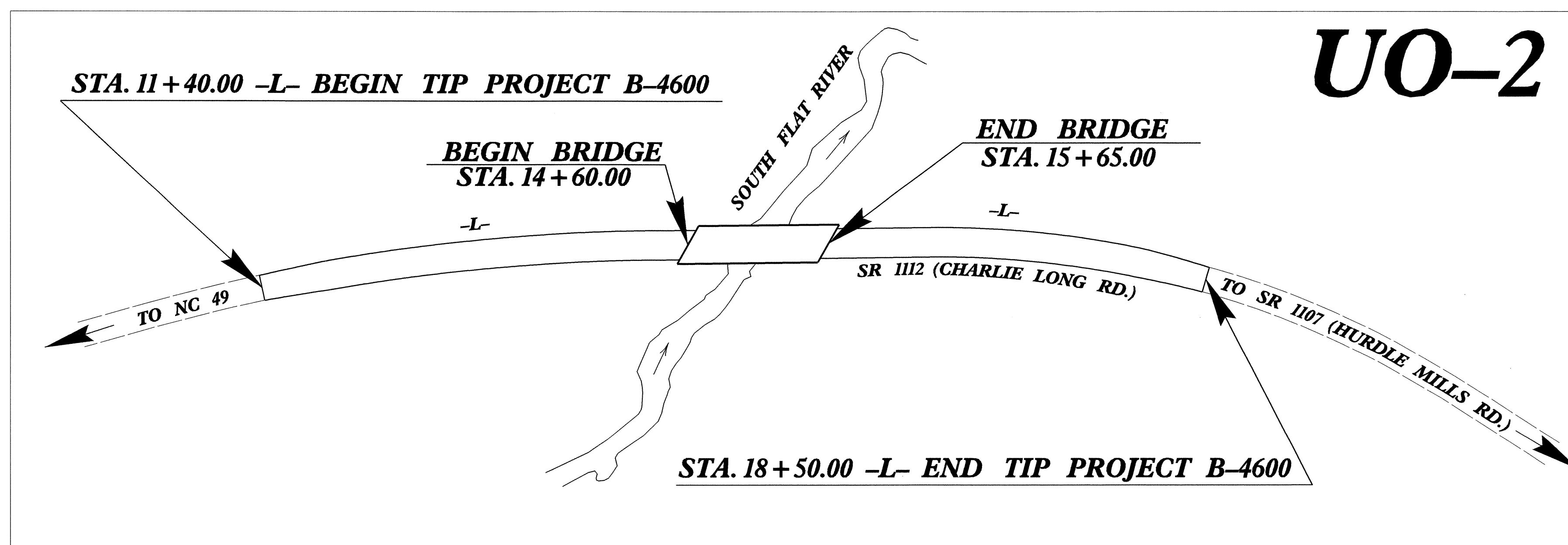
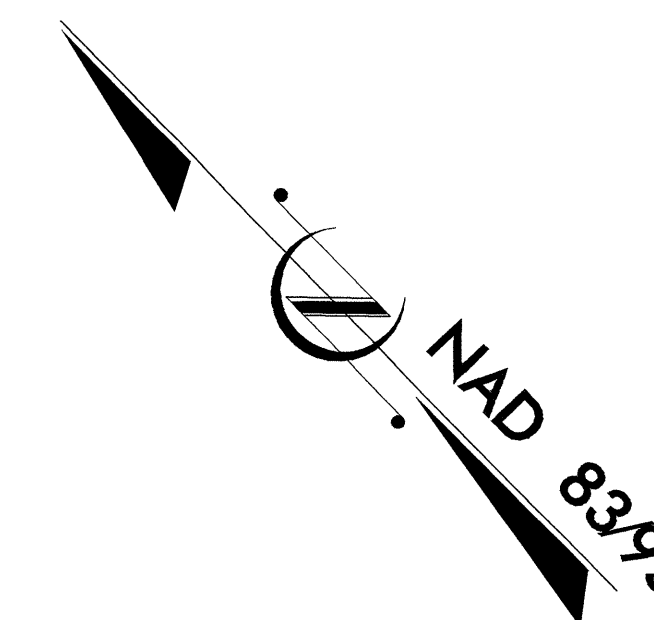
STATE OF NORTH CAROLINA
DIVISION OF HIGHWAYS

**UTILITIES BY OTHERS PLANS
PERSON COUNTY**

**LOCATION: BRIDGE No. 43 OVER SOUTH FLAT RIVER
ON SR 1112 (LONG ROAD)**

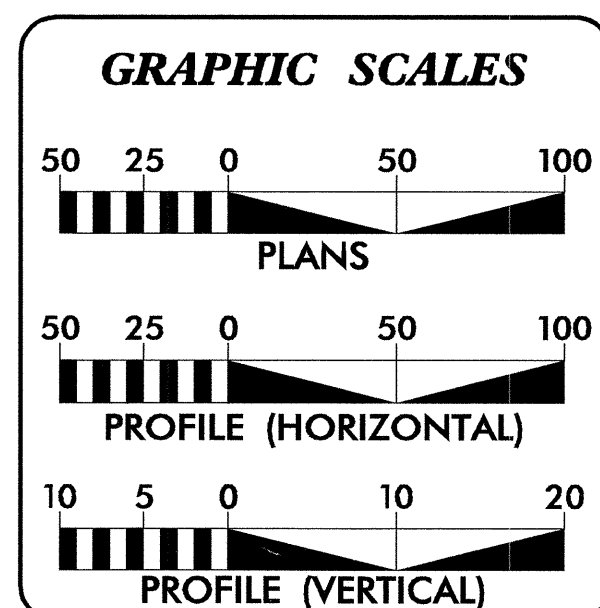
TYPE OF WORK: UTILITIES RELOCATIONS

T.I.P. NO.	SHEET NO.
B-4600	UO-1



NOTE: THIS PROJECT IS NOT WITHIN ANY MUNICIPAL BOUNDARIES.

NOTE: CLEARING ON THIS PROJECT SHALL BE PERFORMED TO THE LIMITS ESTABLISHED BY METHOD III.



INDEX OF SHEETS	
SHEET NO.	DESCRIPTION
UO-1	TITLE SHEET
UO-2	UTILITY BY OTHERS PLAN SHEET

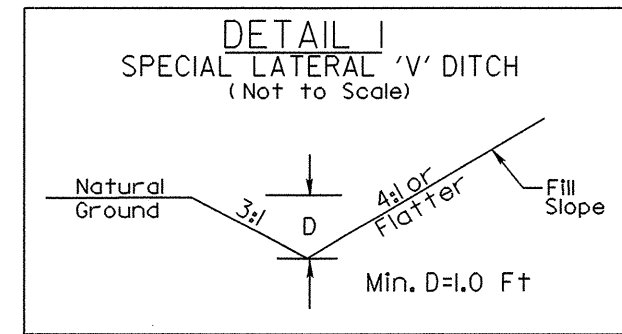
UTILITY OWNERS ON PROJECT
(1) TELEPHONE - EMBARQ

PREPARED IN THE OFFICE OF:
**DIVISION OF HIGHWAYS
 UTILITIES ENGINEERING
 SECTION**
 1591 MAIL SERVICES CENTER
 RALEIGH, NC 27699-1591
 PHONE (919) 250-4128
 FAX (919) 250-4119

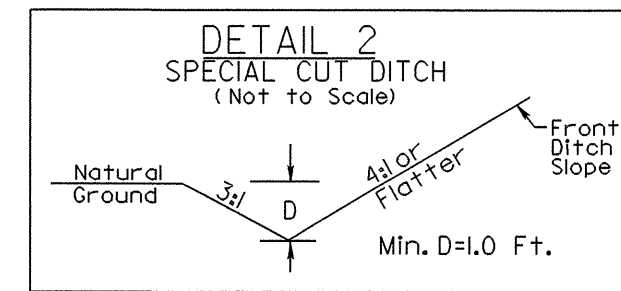
<u>Roger Worthington, P.E.</u>	UTILITIES SECTION ENGINEER
<u>Steve McKee, P.E.</u>	UTILITIES SQUAD LEADER PROJECT ENGINEER
<u>Donald Proper</u>	UTILITIES PROJECT DESIGNER

UTILITIES BY OTHERS

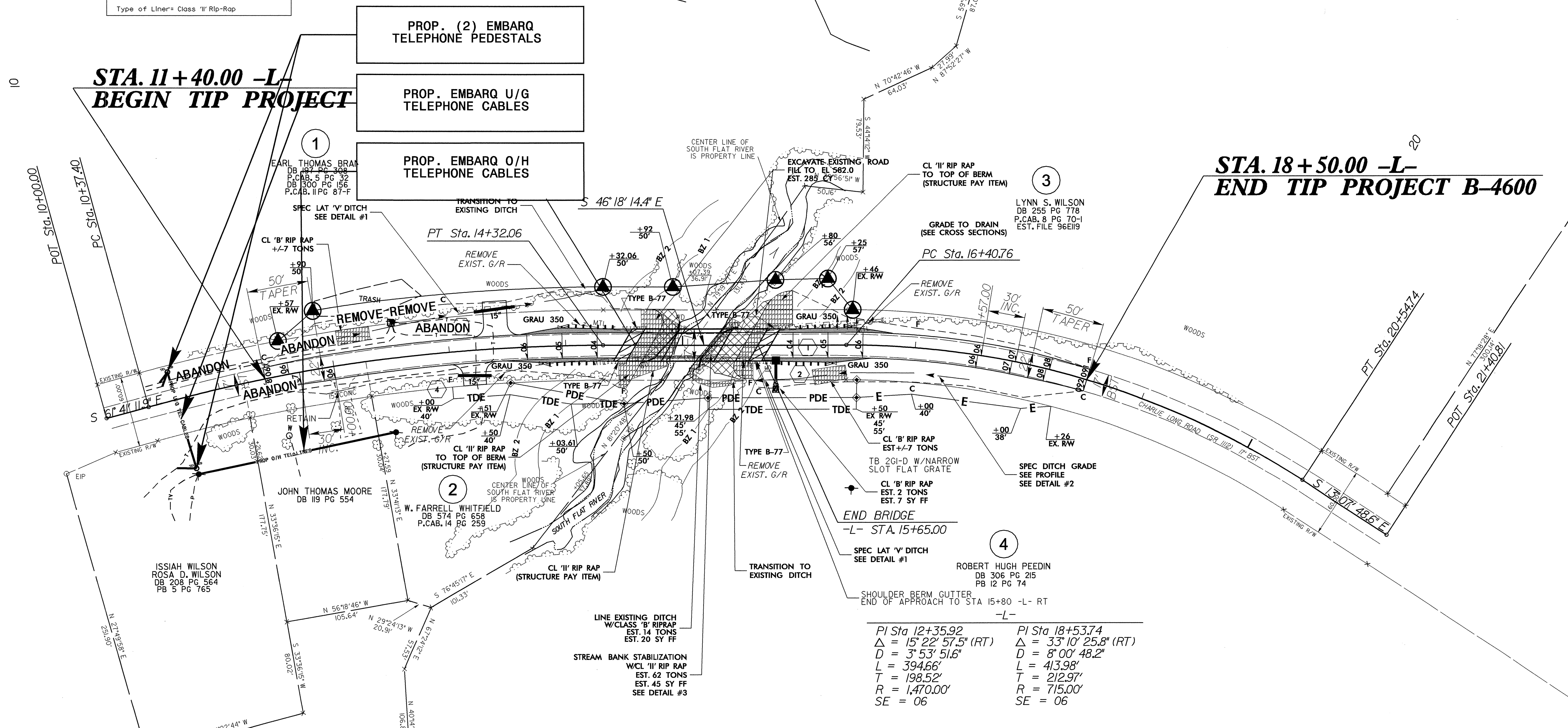
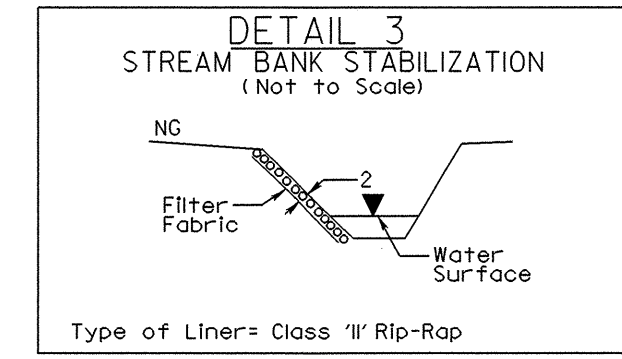
NOTE:
 ALL PROPOSED UTILITY WORK
 SHOWN ON THIS SHEET WILL
 BE DONE BY OTHERS



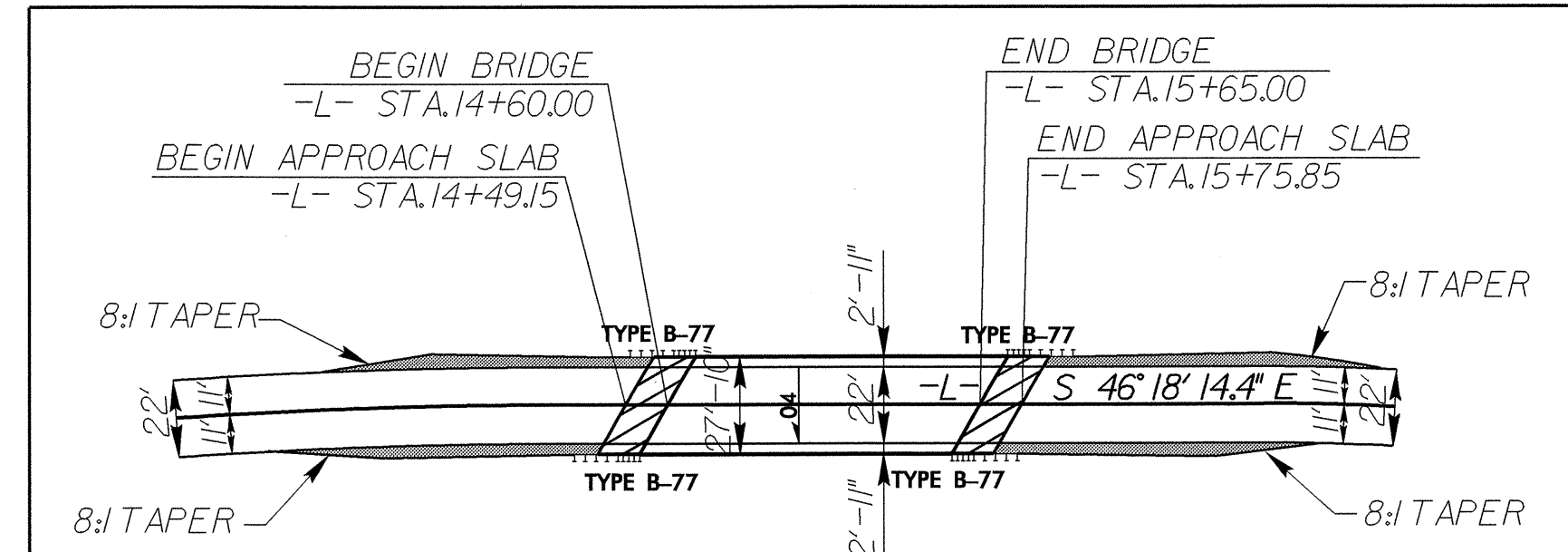
FROM STA. 11+90 TO STA. 14+35 -L- LT
 FROM STA. 15+56 TO STA. 16+00 -L- RT



FROM STA. 16+00 TO STA. 17+50 -L- RT



RELATIONSHIP OF PROP. BRIDGE TO PAVEMENT



- PAVED SHOULDER
- FOR -L- PROFILE, SEE SHEET NO. 5
- BRIDGE APPROACH SLAB