

09/08/99

T.I.P. NO.	SHEET NO.
B-4216	UO-1

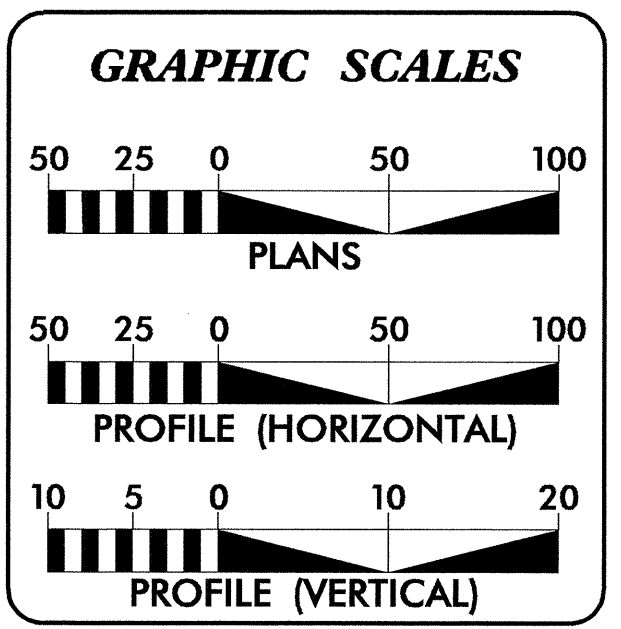
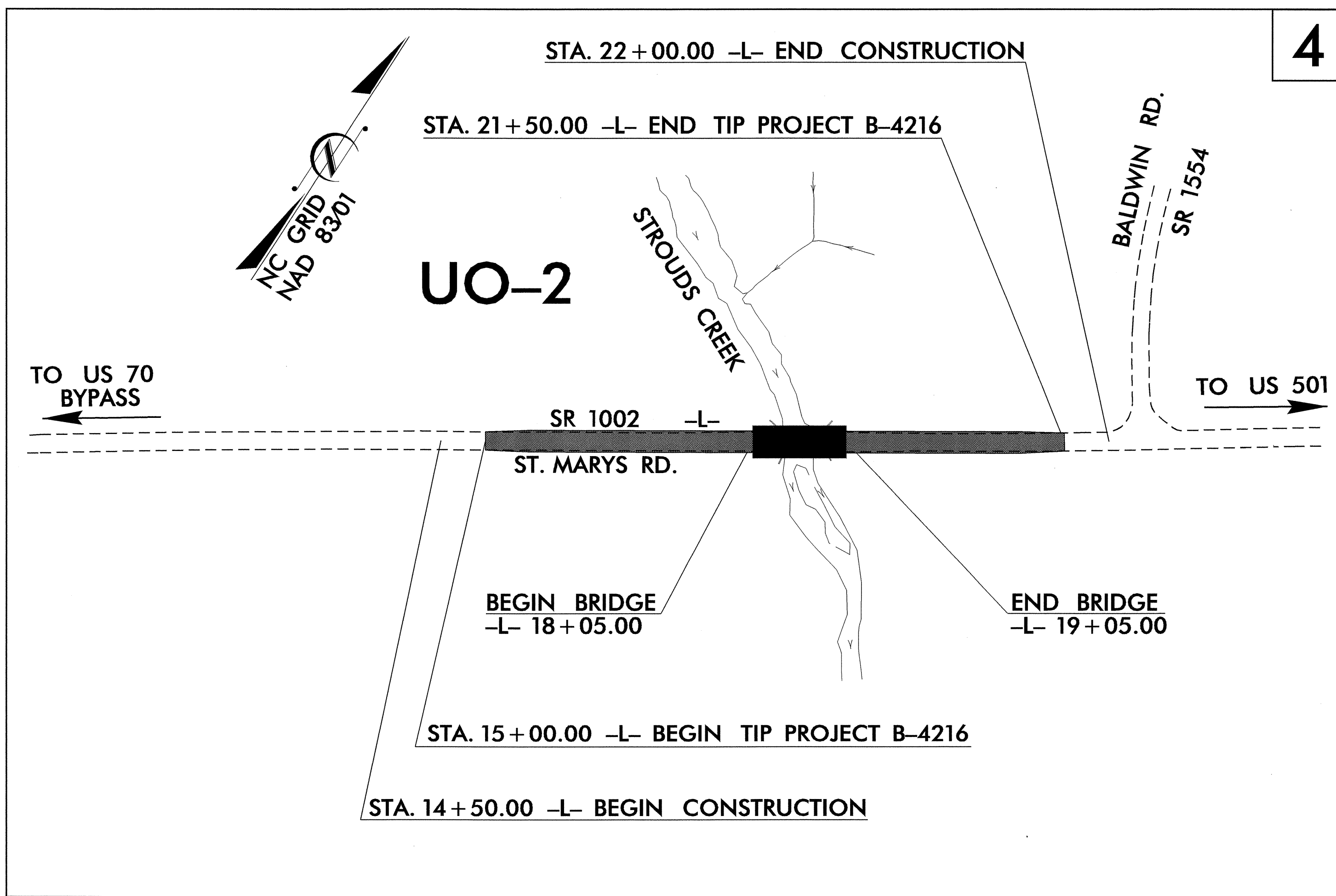
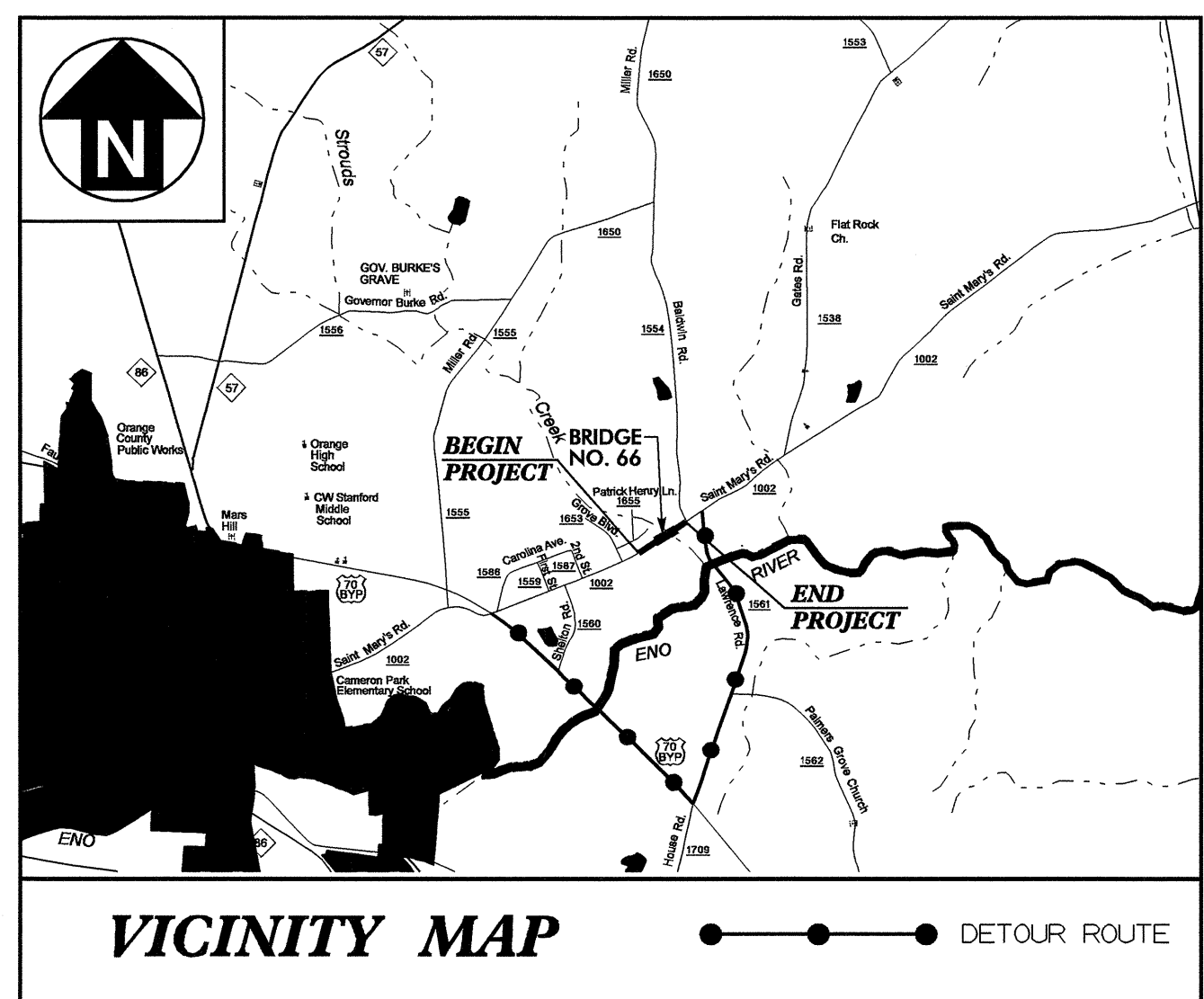
STATE OF NORTH CAROLINA  
DIVISION OF HIGHWAYS

**UTILITIES BY OTHERS PLANS  
ORANGE COUNTY**

LOCATION: BRIDGE NO. 66 OVER STROUDS CREEK ON SR 1002

TYPE OF WORK: RELOCATION OF UTILITY LINES

**TIP PROJECT:**

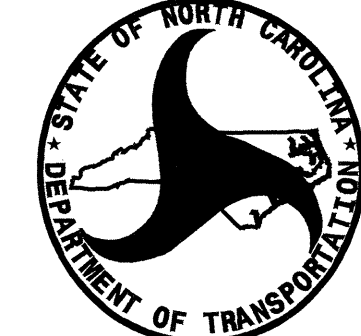


**INDEX OF SHEETS**

SHEET NO.	DESCRIPTION
UO-1	TITLE SHEET
UO-2	UTILITY BY OTHERS PLAN SHEETS

**UTILITY OWNERS ON PROJECT**

- DUKE POWER
- CENTELEMBARQ
- TIME WARNER CABLE



PREPARED IN THE OFFICE OF:  
**DIVISION OF HIGHWAYS  
UTILITIES ENGINEERING  
SECTION**

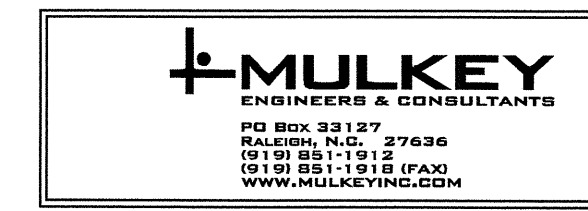
1591 MAIL SERVICES CENTER  
RALEIGH NC 27699-1591  
PHONE (919) 250-4128  
FAX (919) 250-4119

Roger Worthington, P.E. UTILITIES SECTION ENGINEER  
Cory Bousquet, P.E. UTILITIES SQUAD LEADER PROJECT ENGINEER  
Kijah Kamil UTILITIES PROJECT DESIGNER

06-OCT-2009 12:02  
s:\util\res\ncd\ut\proj\b4216\_ut\_uo1\_tsh.dgn  
\$\$\$\$\$USERNAME\$\$\$\$\$

**UTILITIES BY OTHERS**

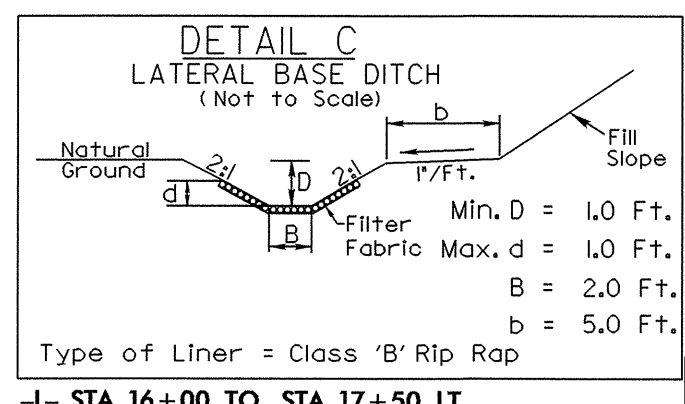
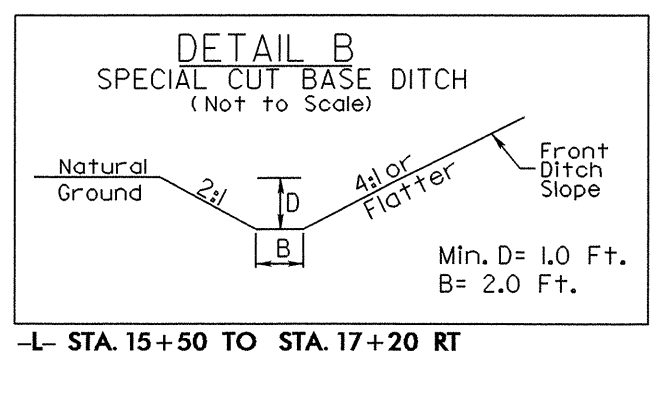
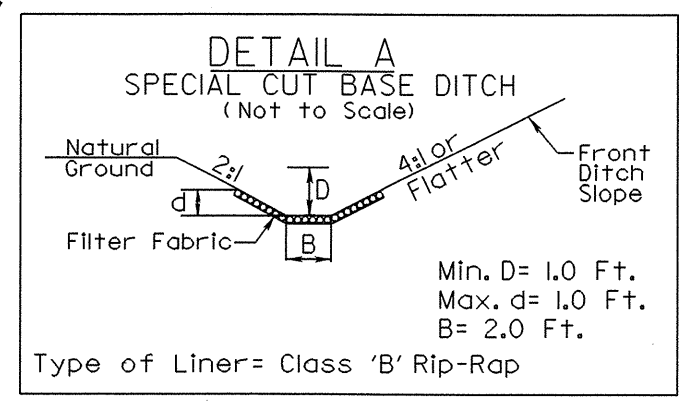
**NOTE:**  
ALL PROPOSED UTILITY WORK SHOWN ON THIS SHEET WILL BE DONE BY OTHERS



ADT 2010	TRAFFIC DIAGRAM	ADT 2030	(IN HUNDREDS)
-BALDWIN RD-	SR 1554	2300	3600
11400	1600	800	10600
18700	2500	1100	17300
SR 1002			

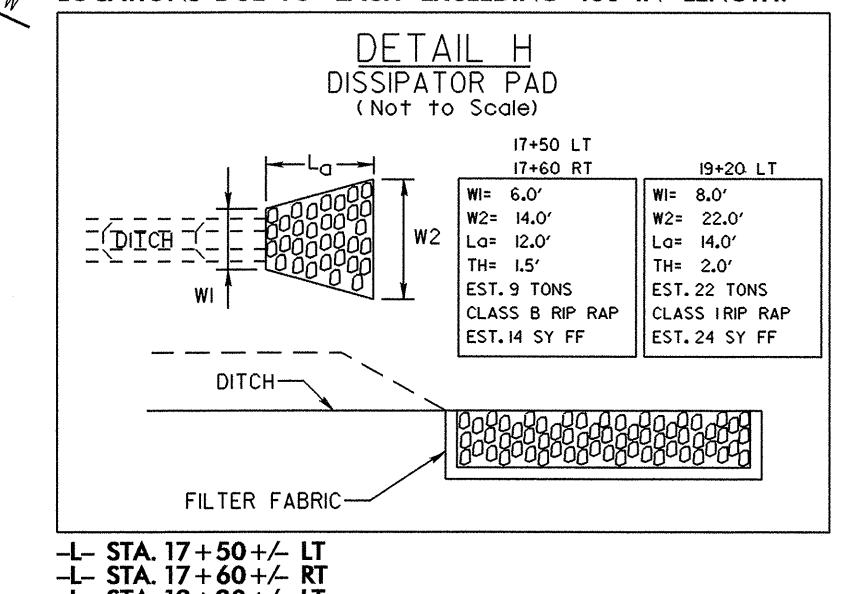
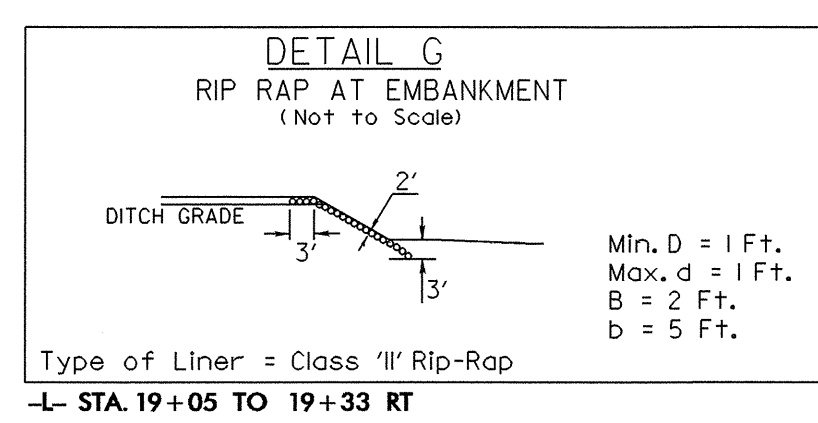
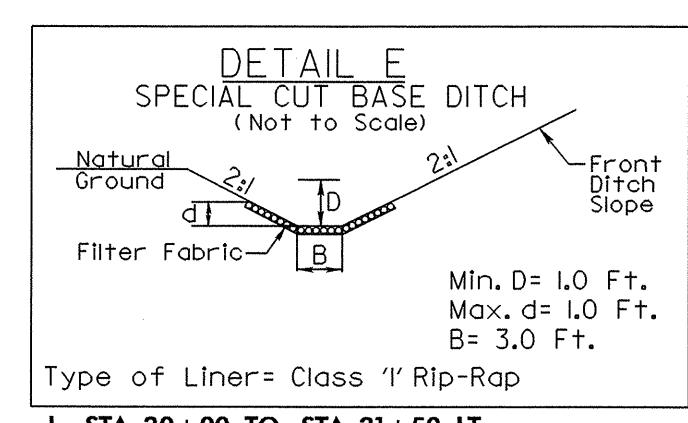
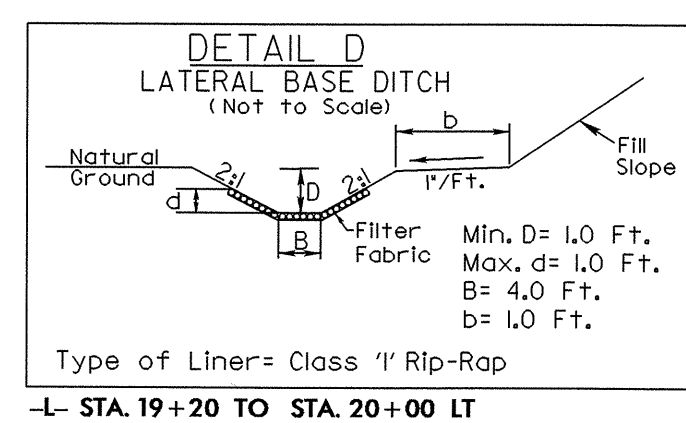
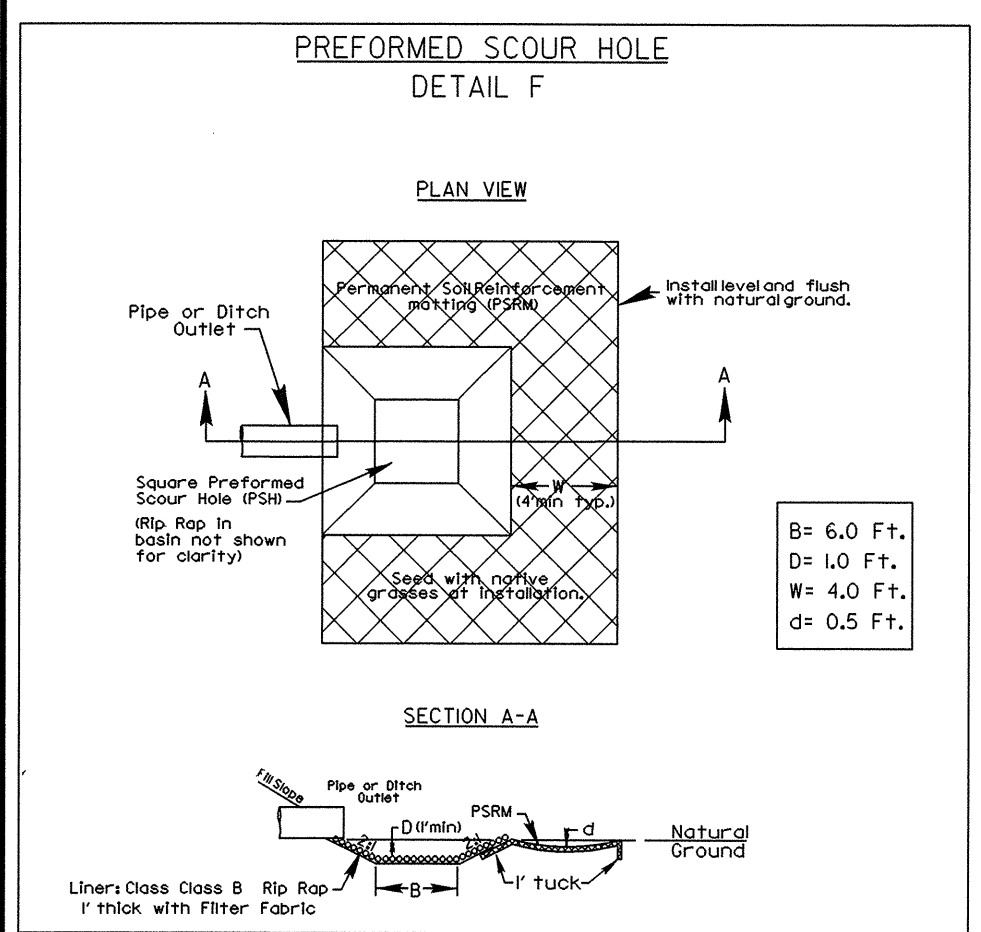
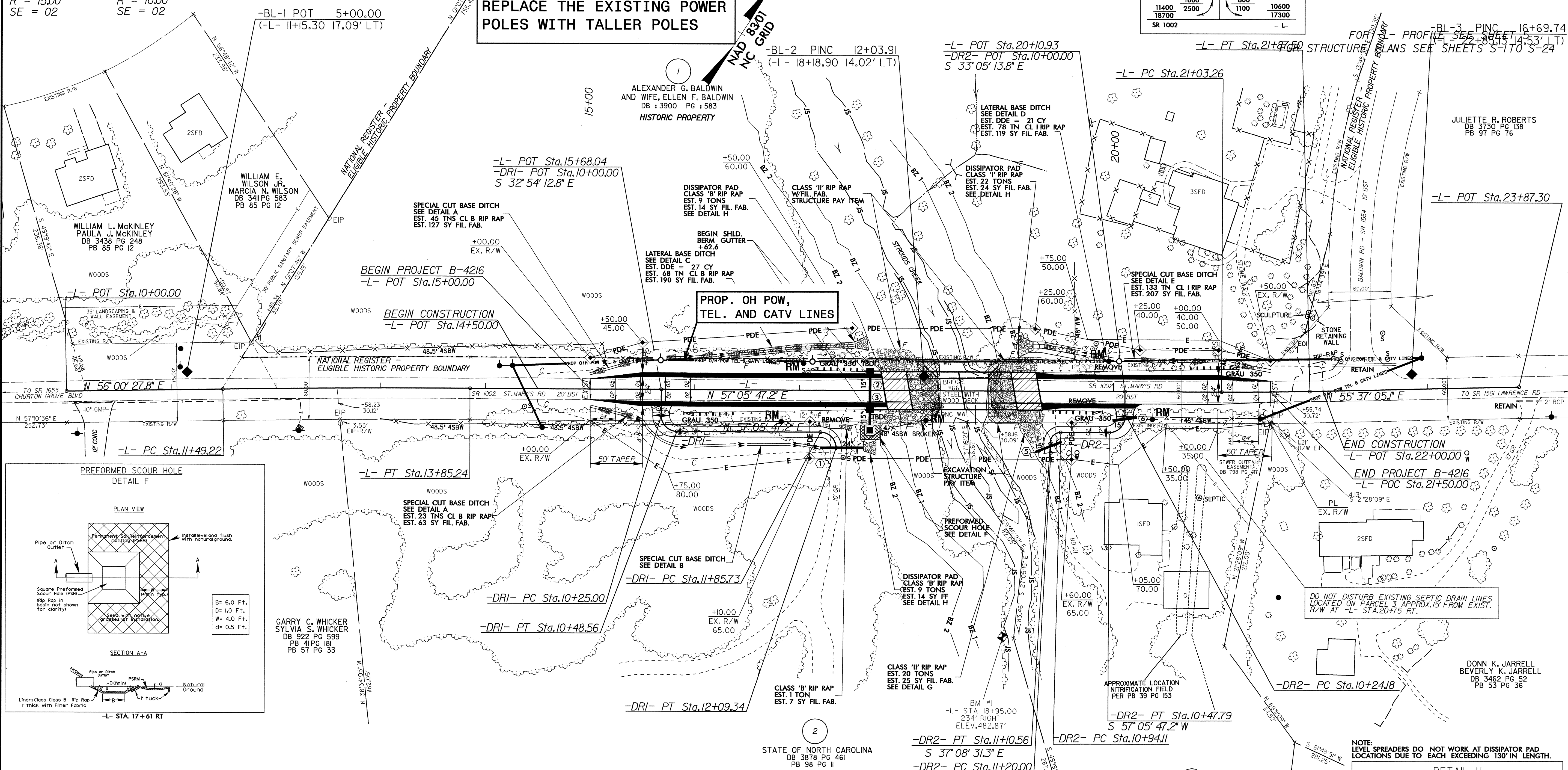
-DRI-		-L-	
PI Sta 10+40.00	PI Sta 12+00.77	PI Sta 12+67.24	PI Sta 21+45.38
$\Delta = 90^\circ 00' 00.0''$ (LT)	$\Delta = 90^\circ 10' 44.0''$ (RT)	$\Delta = 1^\circ 05' 19.4''$ (RT)	$\Delta = 1^\circ 28' 42.0''$ (LT)
D = 381' 58" 18.7"	D = 381' 58" 18.7"	D = 0' 27" 40.6"	D = 1' 45" 17.5"
L = 23.56'	L = 23.61'	L = 236.02'	L = 84.24'
T = 15.00'	T = 15.05'	T = 118.01'	T = 42.12'
R = 15.00'	R = 15.00'	R = 12,421.00'	R = 3,265.00'
SE = 02	SE = 02	SE = 04	SE = 04
		DS = 50 mph	

-DR2-	
PI Sta 10+39.23	PI Sta 11+04.88
$\Delta = 90^\circ 11' 01.0''$ (RT)	$\Delta = 94^\circ 14' 18.5''$ (LT)
D = 381' 58" 18.7"	D = 572' 57" 28.1"
L = 23.61'	L = 16.45'
T = 15.05'	T = 10.77'
R = 15.00'	R = 10.00'
SE = 02	SE = 02



**REPLACE THE EXISTING POWER POLES WITH TALLER POLES**

**PROP. OH POW, TEL. AND CATV LINES**



**NOTE:**  
LEVEL SPREADERS DO NOT WORK AT DISSIPATOR PAD LOCATIONS DUE TO EACH EXCEEDING 130' IN LENGTH.

REVISIONS

8/17/99

06-OCT-2009 12:04  
C:\Users\jmc\Documents\Projects\B4216\ut.uo2\_psh.dgn