

T.I.P.: B-4307

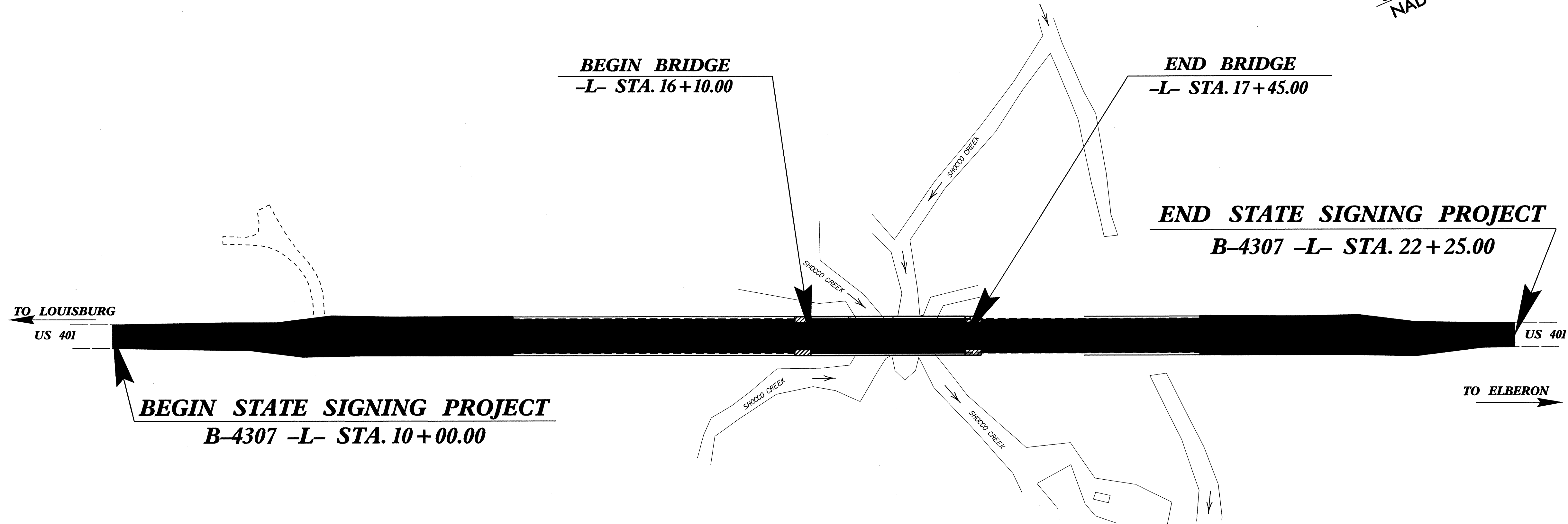
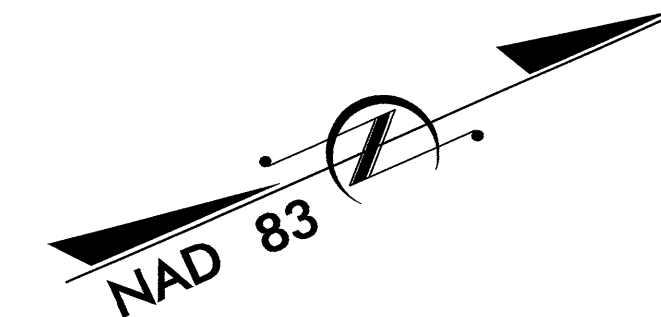
CONTRACT: C202124

**STATE OF NORTH CAROLINA
DEPARTMENT OF TRANSPORTATION**

**SIGNING PLANS
WARREN COUNTY**

LOCATION: BRIDGE NO. 4 OVER SHOCCO CREEK AND APPROACHES ON US 401

TIP NO. B-4307	SHEET NO. SIGN-1
APPROVED:	
DATE: 1/14/09	
SEAL 	



SUMMARY OF QUANTITIES

ITEM NO.		ITEM DESCRIPTION	QUANTITY	UNIT
DESC. NO.	SECT. NO.			
4072000000	903	SUPPORTS, 3 LB STEEL U-CHANNEL	27	L.F.
4102000000	904	SIGN ERECTION, TYPE E	2	EA.
4155000000	907	DISPOSAL OF SIGN SYSTEM, U-CHANNEL	8	EA.
4158000000	907	DISPOSAL OF SIGN SYSTEM, WOOD	2	EA.

**ROADWAY STANDARD DRAWINGS
APPLICABLE TO THESE SIGNING PLANS
904.10 904.50**

INDEX

SHEET NO.	DESCRIPTION
1	TITLE SHEET
2	TYPE "E" SIGNS
3	EXISTING/PROPOSED ROADWAY

PLAN PREPARED BY: N.C.D.O.T. SIGNING SECTION	
R. W. KING, PE	SIGNING ENGINEER
A. I. ALQUDWAH, PE	SIGNING PROJECT ENGINEER
D. M. EATON	SIGNING PROJECT DESIGN ENGINEER
R. R. HENNEIN	SIGNING DESIGNER

464 QUANTITY REQ'D 1



30 X 30
DOT NO. 16-61727

ONE "U" POST PER SIGN

465 QUANTITY REQ'D 1

FLUORESCENT YELLOW/GREEN



30 X 30
S3-1

ONE "U" POST PER SIGN

TIP NO.
B-4307


SHEET NO.
SIGN-2

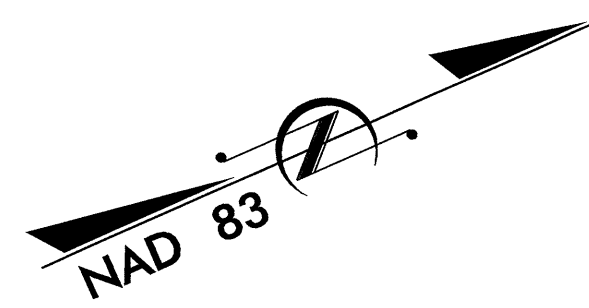
APPROVED: *[Signature]*
DATE: 1/14/09

SEAL

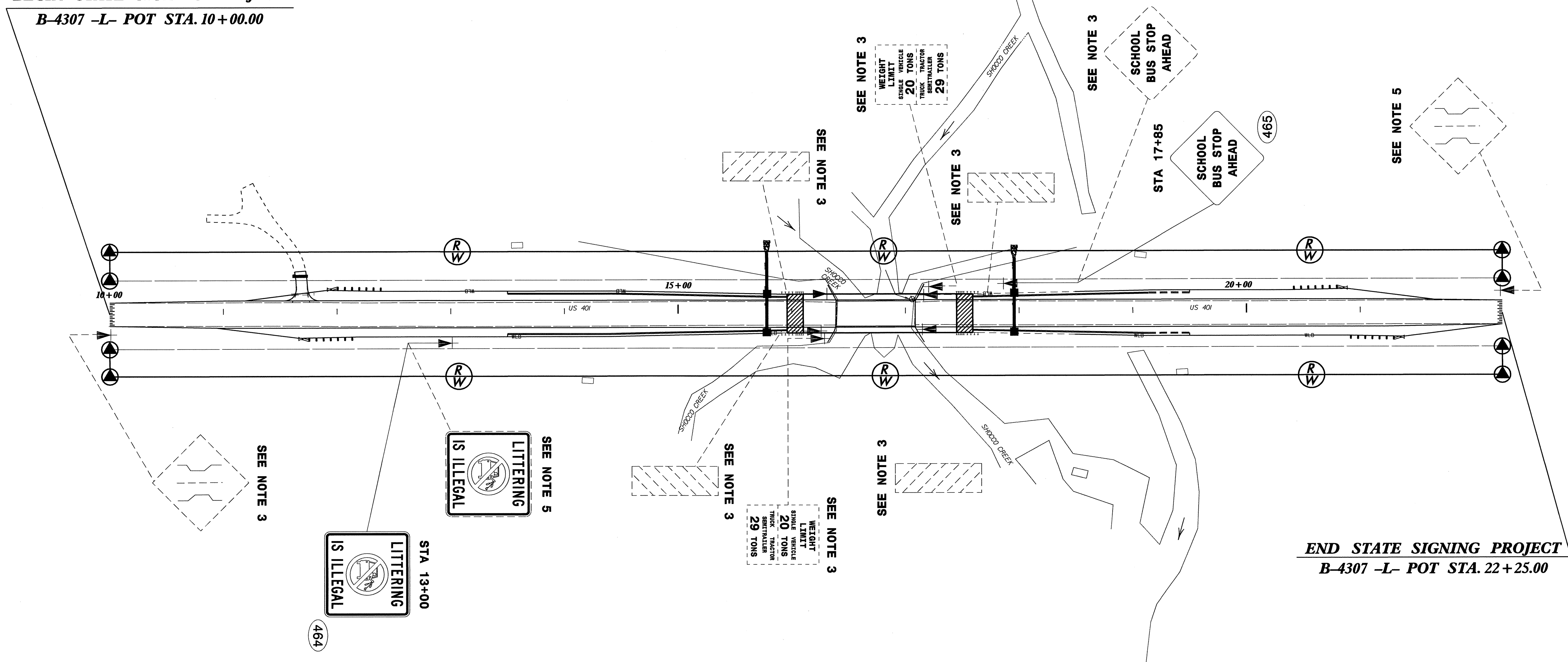


TYPE "E" SIGNS

TIP NO. B-4307	SHEET NO. SIGN-3
APPROVED: <i>Byron Bledsoe</i>	
DATE: 1/14/09	
SEAL	
	



BEGIN STATE SIGNING PROJECT
B-4307 -L- POT STA. 10+00.00



END STATE SIGNING PROJECT
B-4307 -L- POT STA. 22+25.00

1. SEE ROADWAY STANDARD NO. 904.50 FOR MOUNTING OF TYPE 'D', 'E', AND 'F' SIGNS ON 'U' CHANNEL POSTS.
2. SIGNS FURNISHED BY STATE. BACKGROUND SHEETING SHALL BE GRADE C REFLECTIVE SHEETING.
3. DISPOSAL OF SIGN SYSTEM, U-CHANNEL.
4. SIGN ERECTION, RELOCATE SIGN TYPE D, E, OR F.
5. DISPOSAL OF SIGN SYSTEM, WOOD.
6. DISPOSAL OF SIGN, D, E, OR F.
7. DISPOSAL OF SUPPORT, U-CHANNEL.

STA 10+00 TO 22+25
US 401
EXISTING/PROPOSED ROADWAY