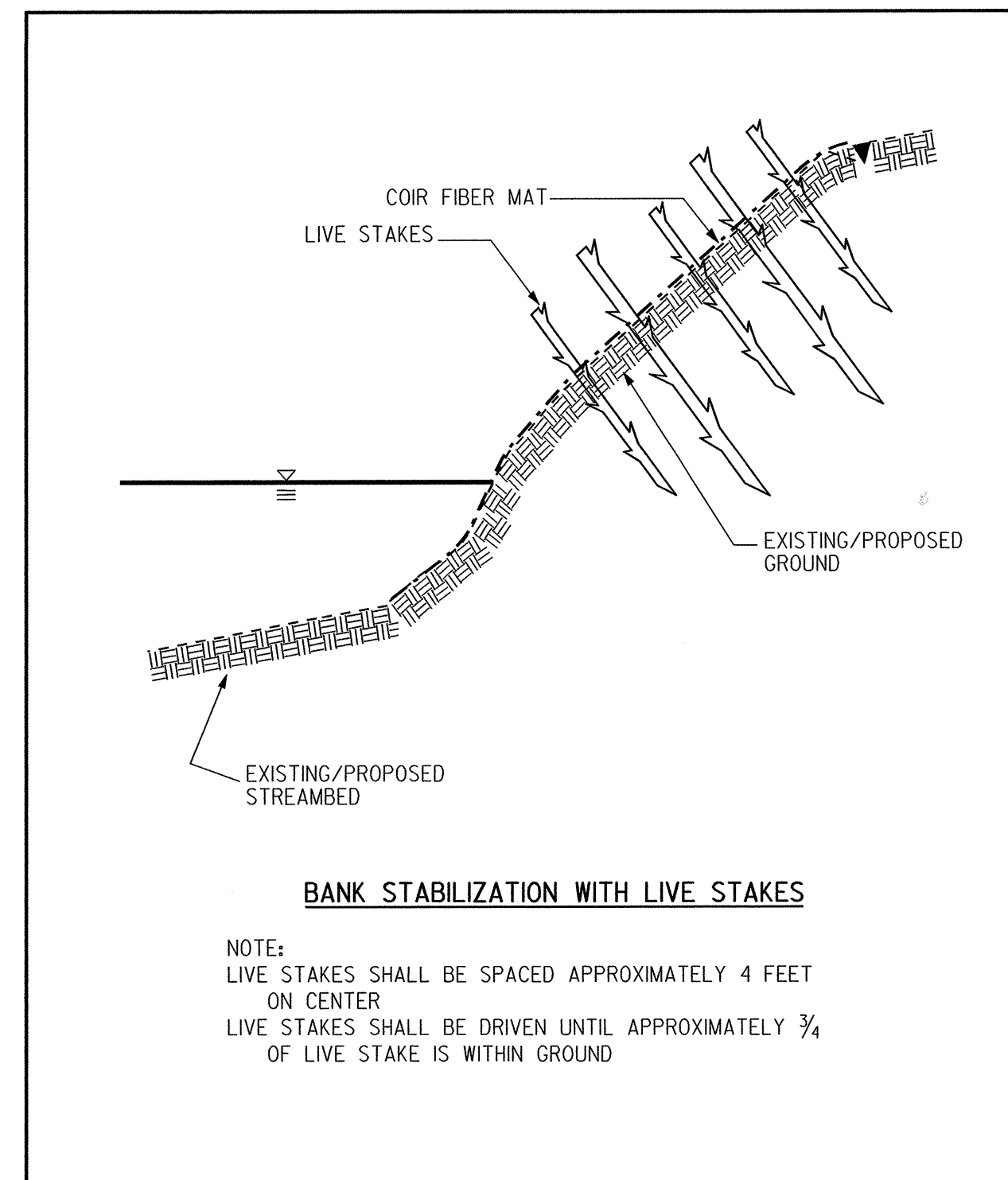
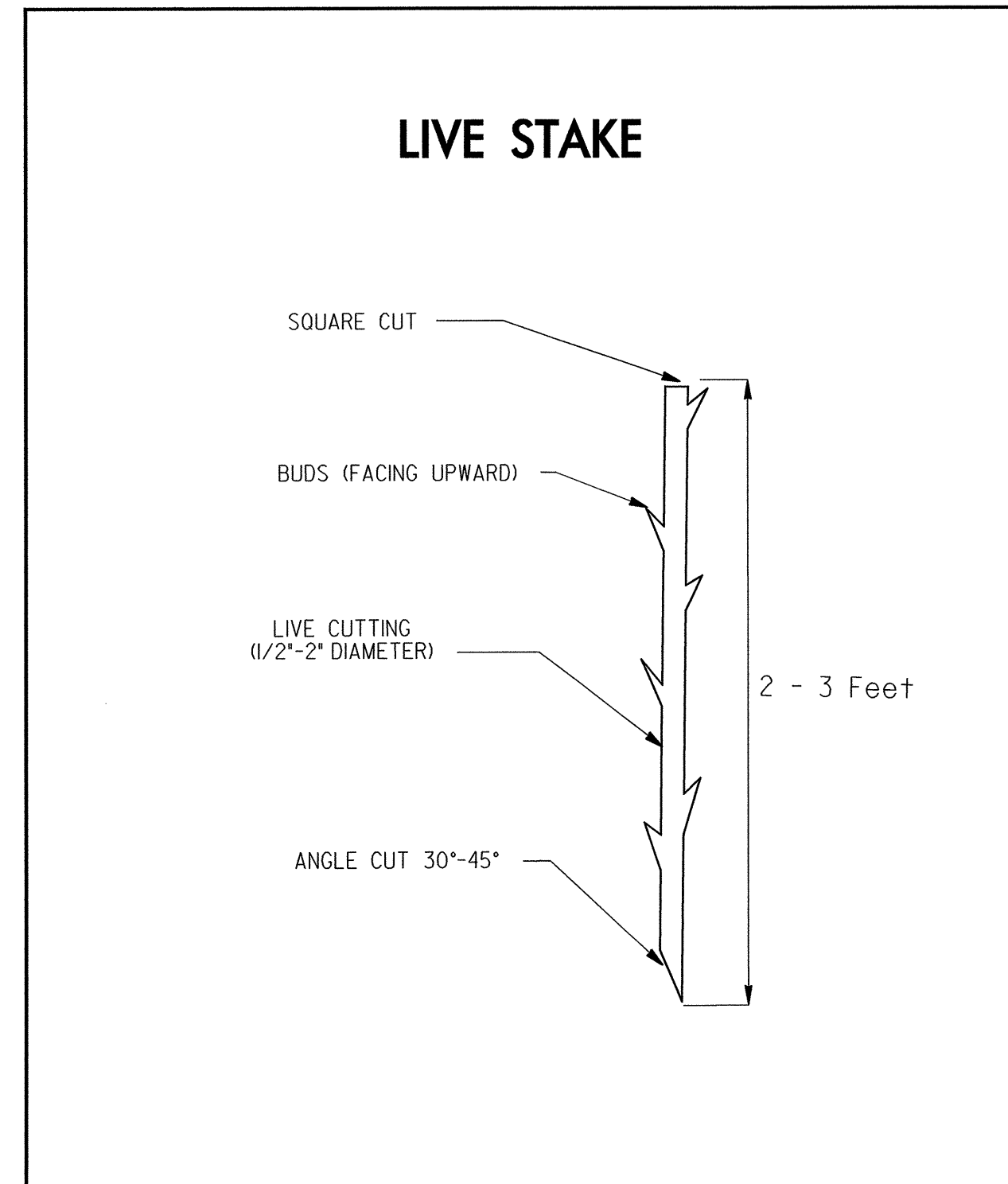
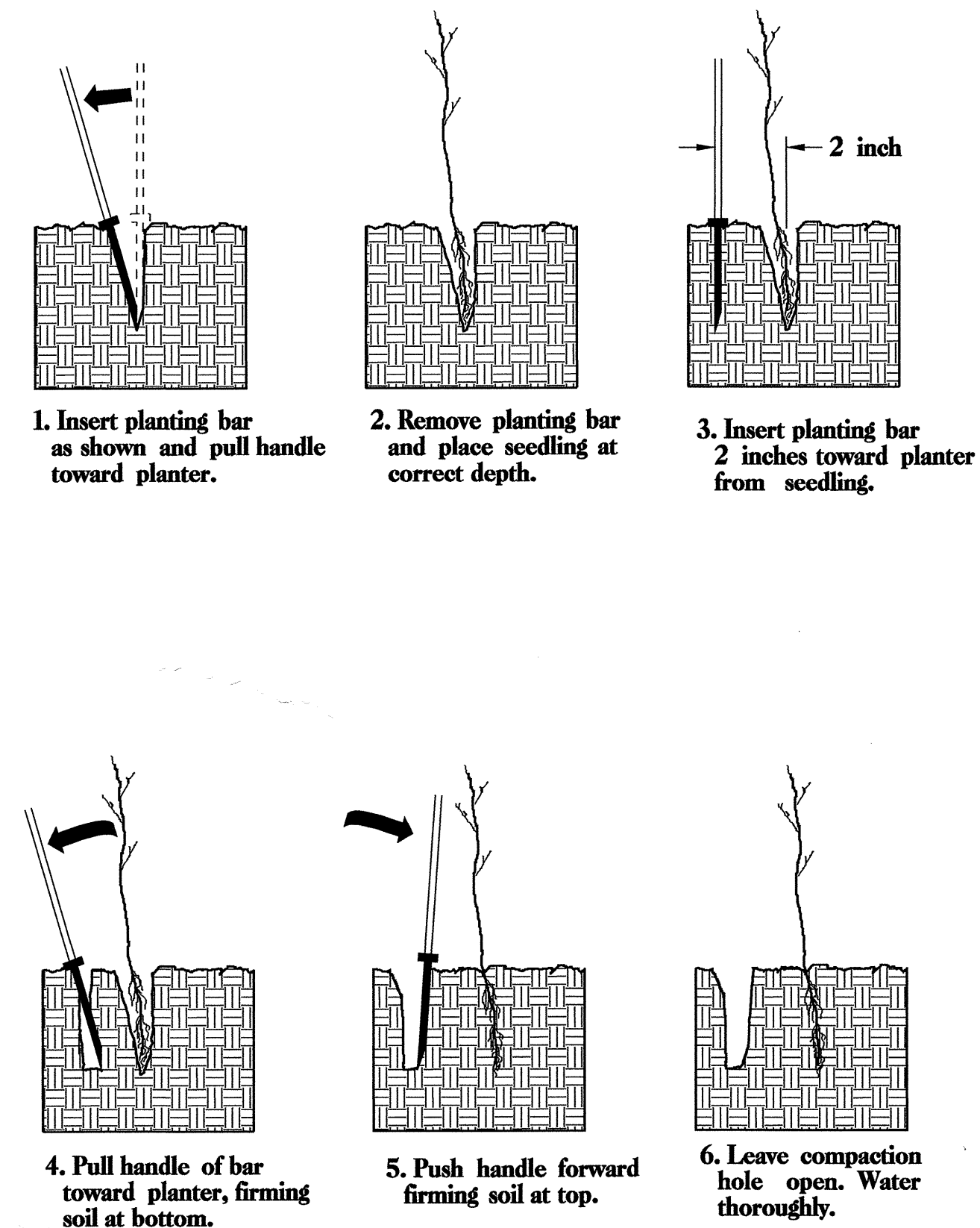


# PLANTING DETAILS

## LIVE STAKES PLANTING DETAIL



## BAREROOT PLANTING DETAIL DIBBLE PLANTING METHOD USING THE KBC PLANTING BAR



### PLANTING NOTES:

**PLANTING BAG**  
During planting, seedlings shall be kept in a moist canvas bag or similar container to prevent the root systems from drying.



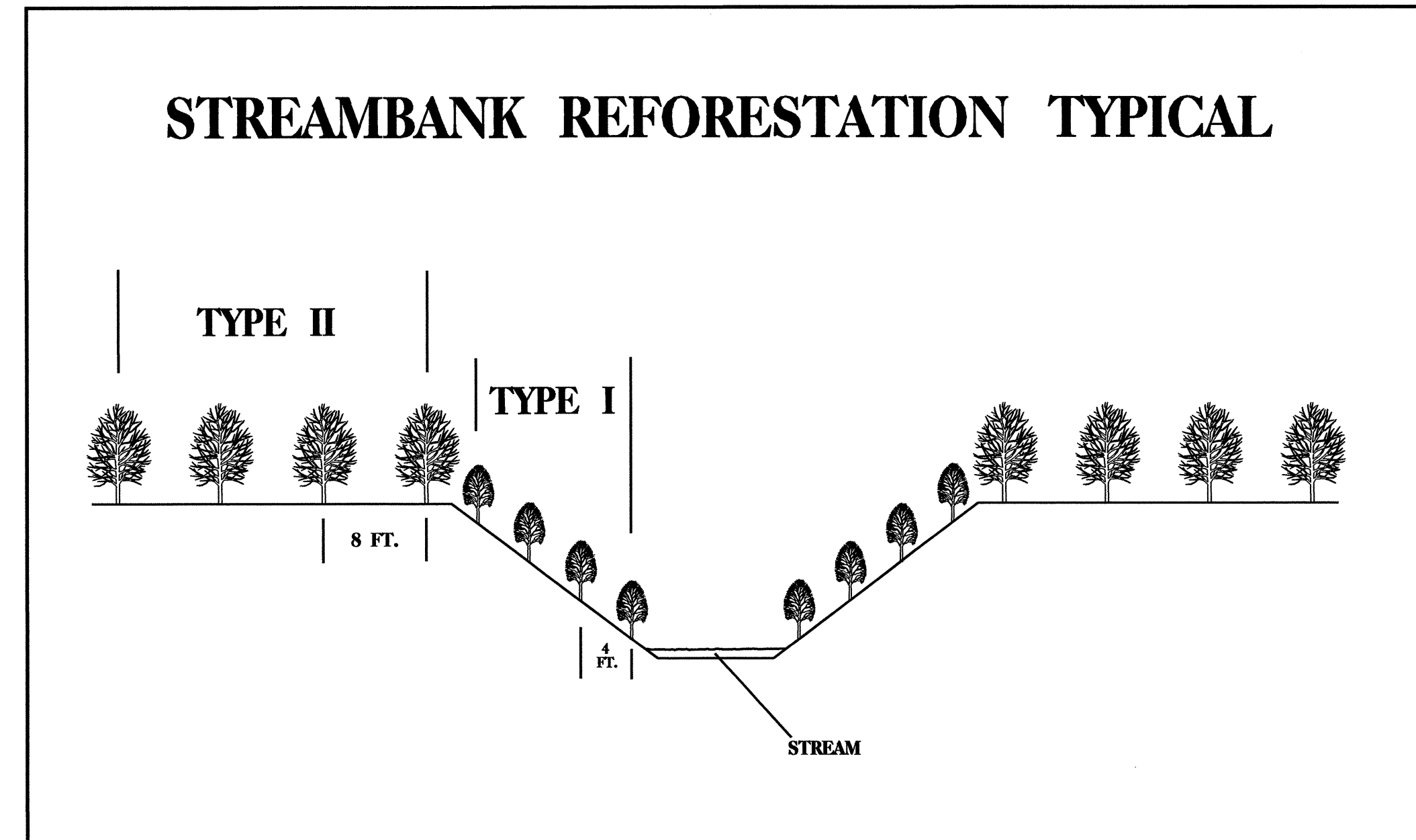
**KBC PLANTING BAR**  
Planting bar shall have a blade with a triangular cross section, and shall be 12 inches long, 4 inches wide and 1 inch thick at center.



**ROOT PRUNING**  
All seedlings shall be root pruned, if necessary, so that no roots extend more than 10 inches below the root collar.

- TYPE 1 STREAMBANK REFORESTATION SHALL BE PLANTED 3 FT. TO 5 FT. ON CENTER, RANDOM SPACING, AVERAGING 4 FT. ON CENTER, APPROXIMATELY 2724 PLANTS PER ACRE.
- TYPE 2 STREAMBANK REFORESTATION SHALL BE PLANTED 6 FT. TO 10 FT. ON CENTER, RANDOM SPACING, AVERAGING 8 FT. ON CENTER, APPROXIMATELY 680 PLANTS PER ACRE.
- NOTE: TYPE 1 AND TYPE 2 STREAMBANK REFORESTATION SHALL BE PAID FOR AS "STREAMBANK REFORESTATION"

## STREAMBANK REFORESTATION TYPICAL



### STREAMBANK REFORESTATION

MIXTURE, TYPE, SIZE, AND FURNISH SHALL CONFORM TO THE FOLLOWING:

#### TYPE 1

50% SALIX NIGRA	BLACK WILLOW	2 ft - 3 ft LIVE STAKES
50% CORNUS AMOMUM	SILKY DOGWOOD	2 ft - 3 ft LIVE STAKES

#### TYPE 2

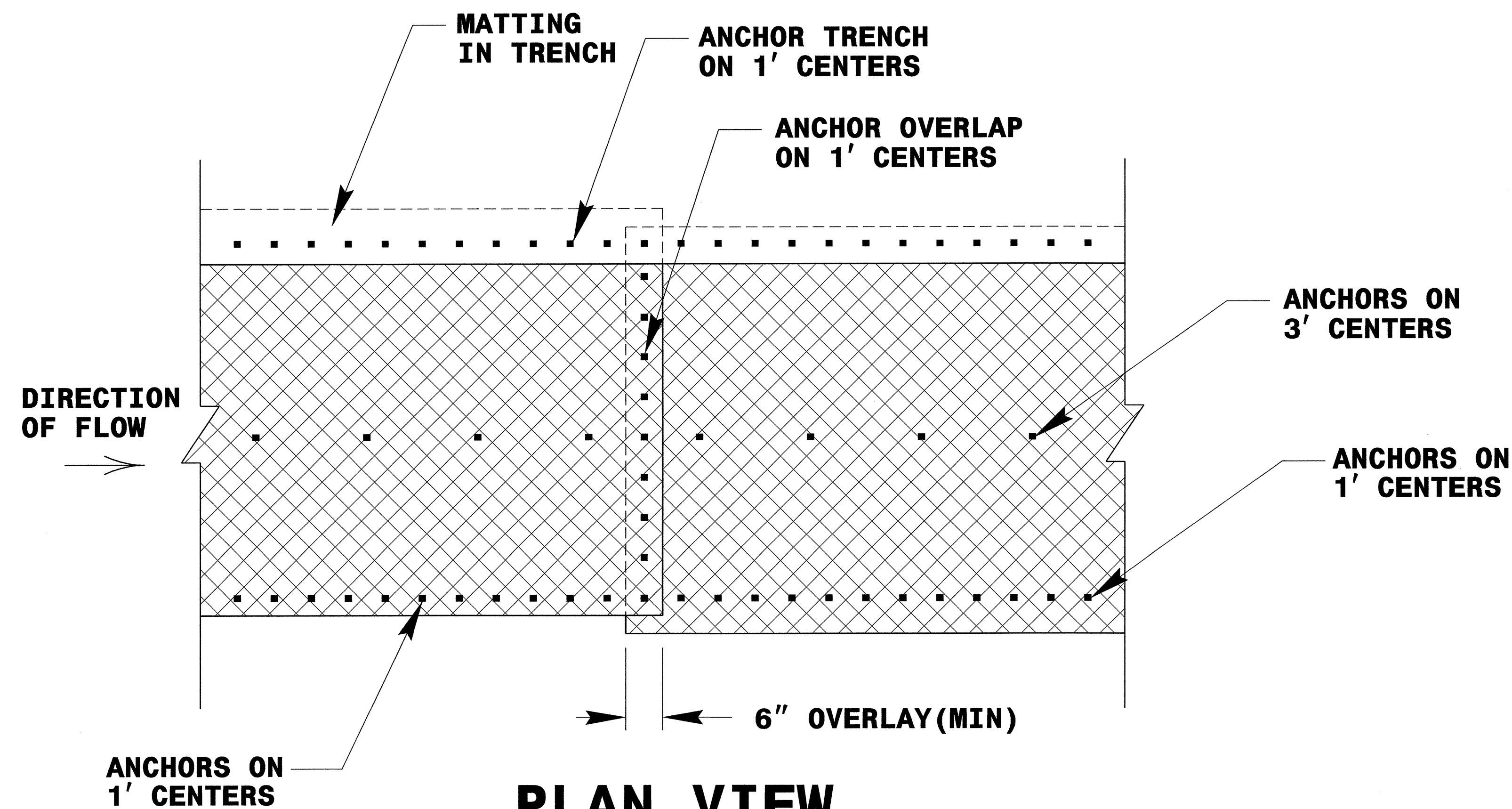
50% LIRIODENDRON TULIPIFERA	TULIP POPLAR	12 in - 18 in BR
50% PLATANUS OCCIDENTALIS	SYCAMORE	12 in - 18 in BR

- SEE PLAN SHEETS FOR AREAS TO BE PLANTED

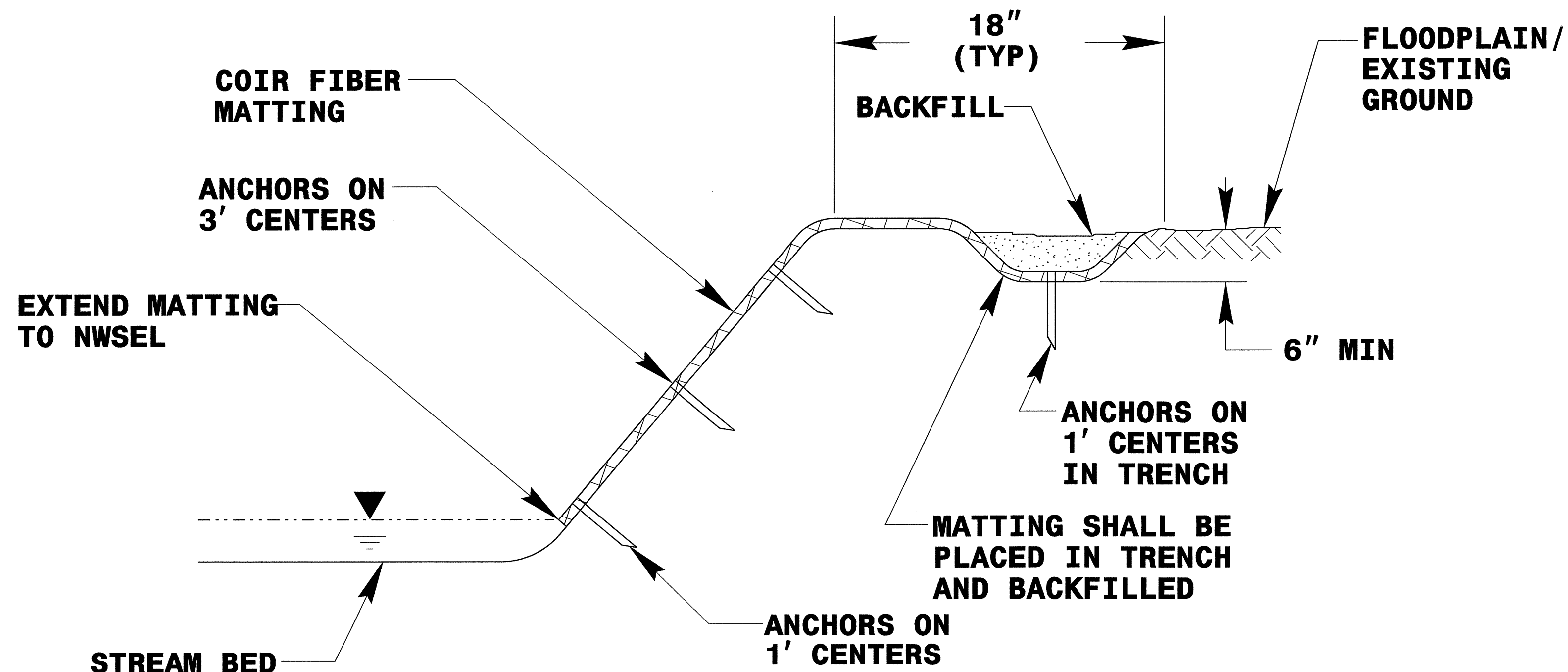
## STREAMBANK REFORESTATION

### DETAIL SHEET 1 OF 2

PROJECT REFERENCE NO. B-4525	SHEET NO. RF-2
RW SHEET NO.	
ROADWAY DESIGN ENGINEER	HYDRAULICS ENGINEER



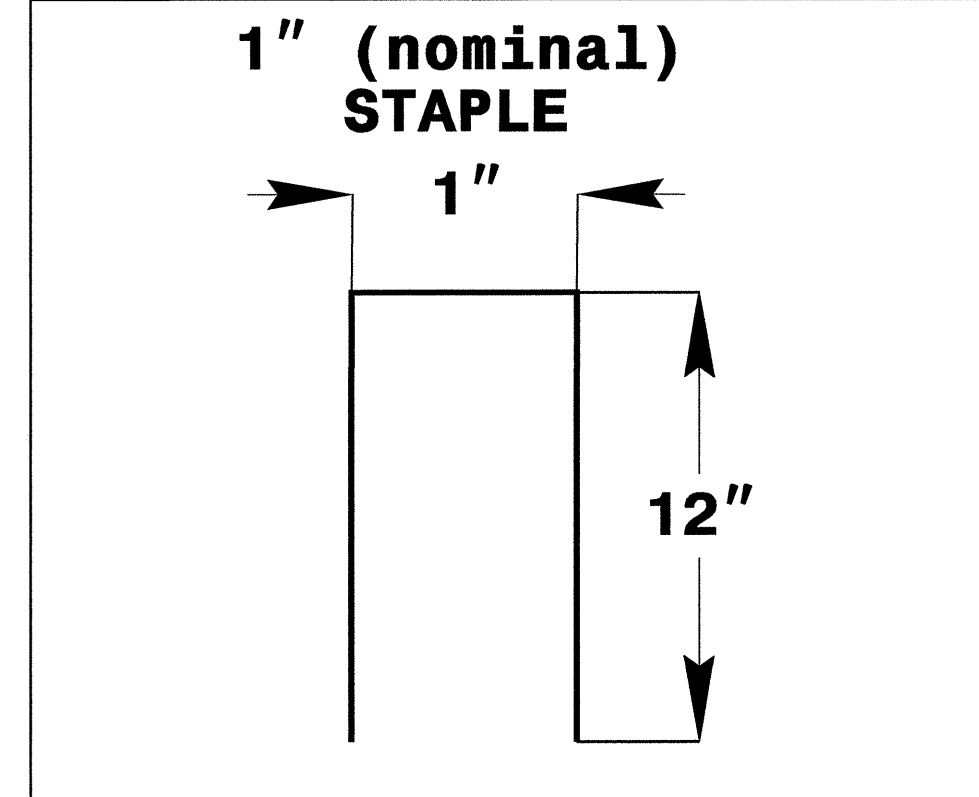
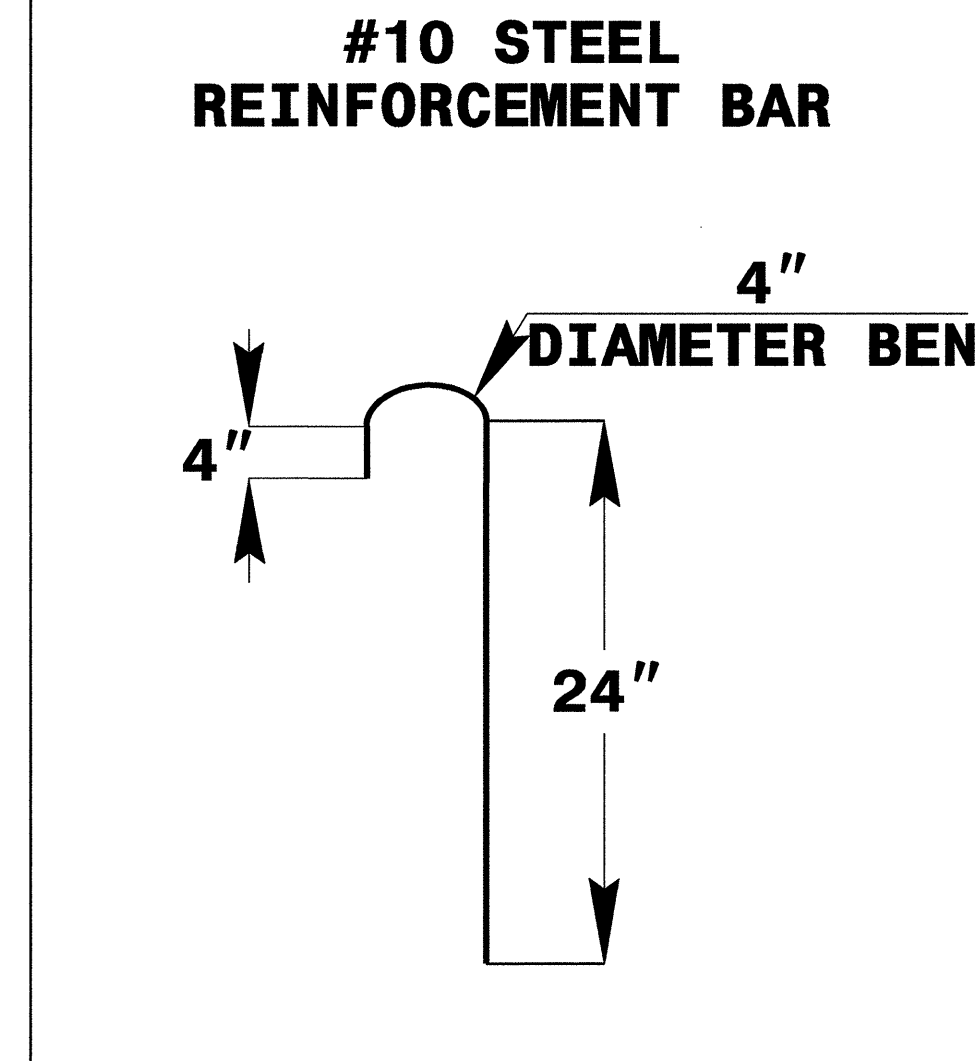
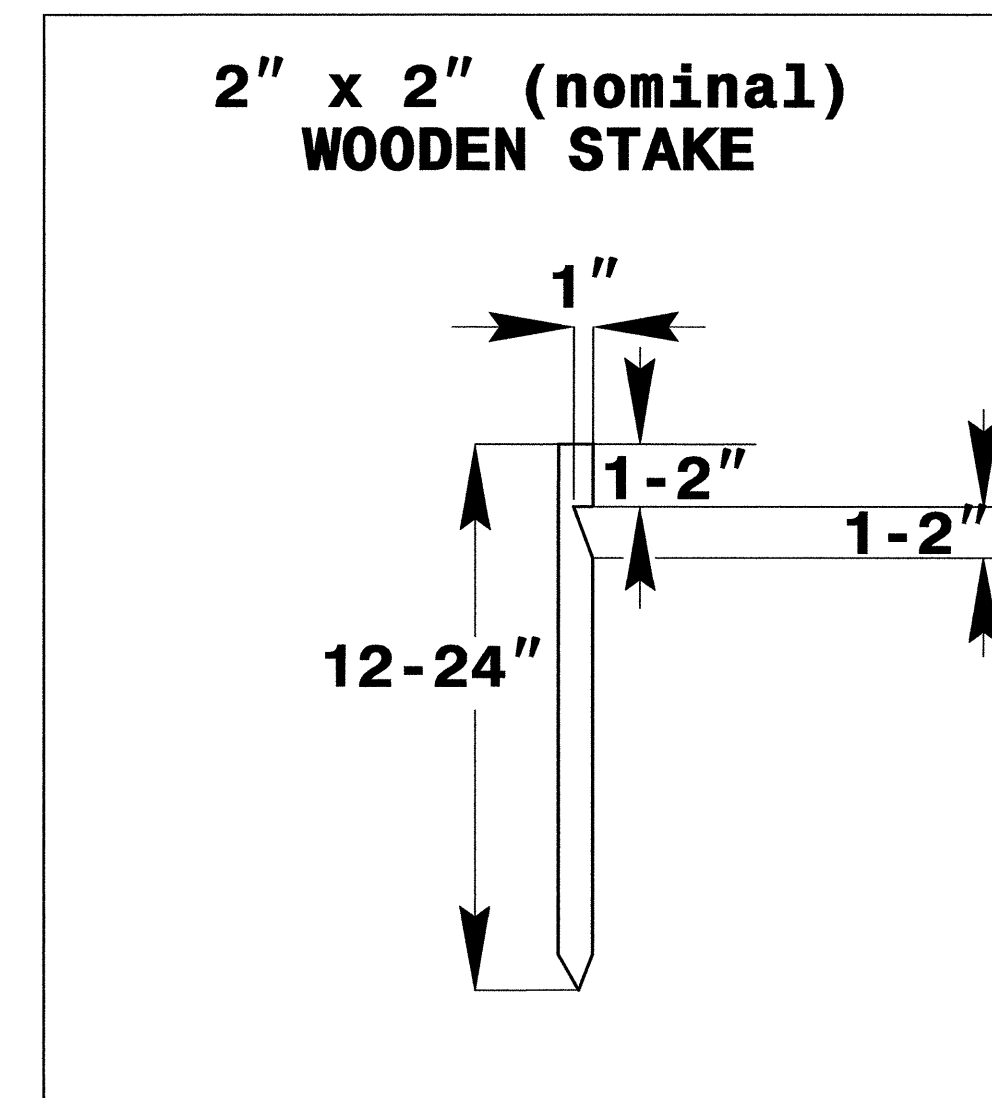
**PLAN VIEW**



**TYPICAL CROSS SECTION**

**COIR FIBER MATTING DETAIL**

NOT TO SCALE



**ANCHOR OPTIONS**

**STREAMBANK REFORESTATION**

**DETAIL SHEET 2 OF 2**

N.C.D.O.T. - ROADSIDE ENVIRONMENTAL UNIT