





PROJ. REFERENCE NO.	SHEET NO.
R-2518B	PM-1

PAVEMENT MARKING SCHEDULE

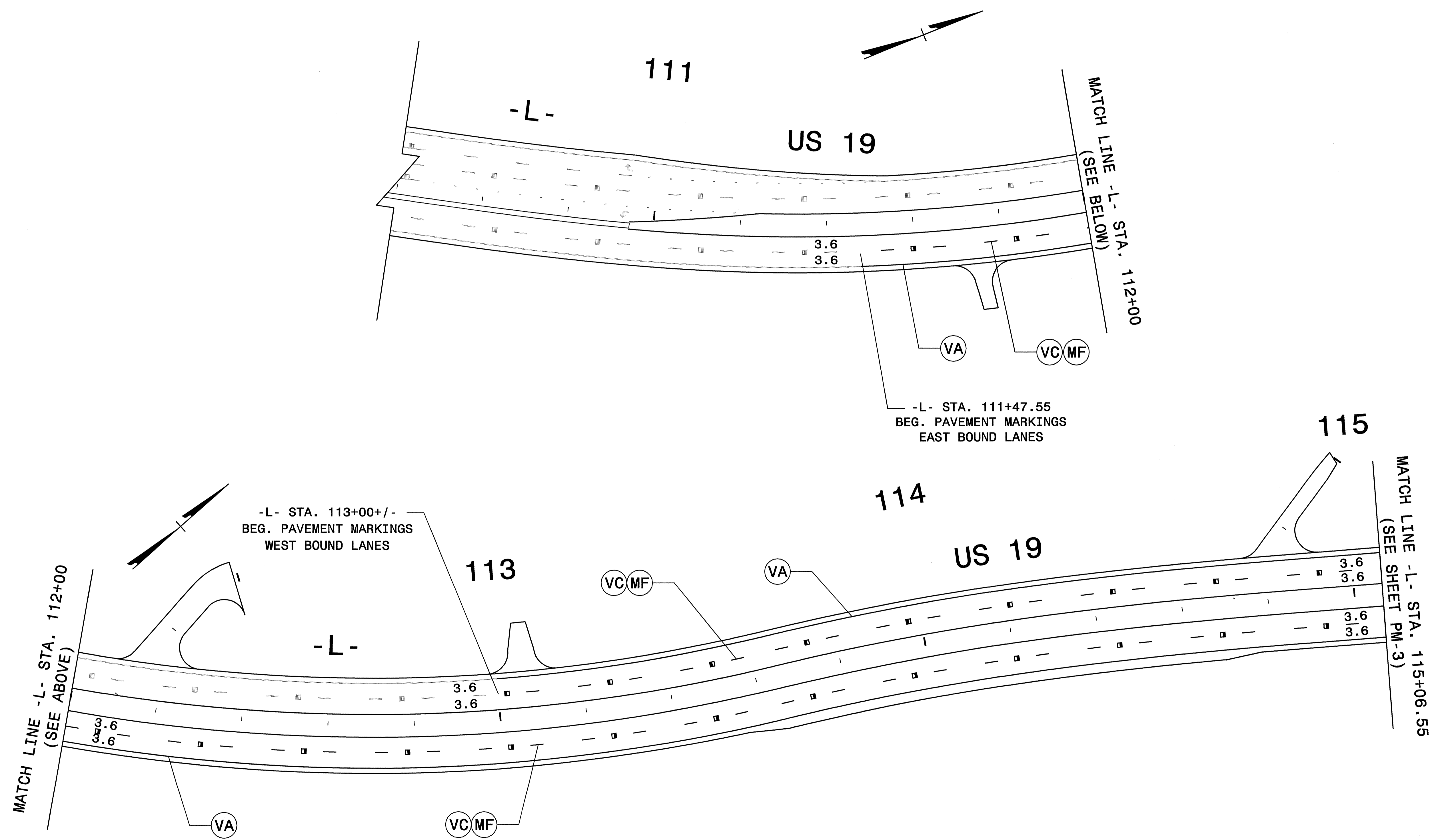
SYMBOL	DESCRIPTION	PAY ITEM QUANTITY BREAKDOWN	TOTAL QUANTITY
POLYUREA (100MM) Standard Glass Beads			
VA	WHITE EDGELINE	24731 M	
VB	YELLOW EDGELINE	346 M	
VC	3 M. WHITE SKIP	5526 M	
VD	0.5 M. WHITE MINISKIP	610 M	
VE	WHITE SOLID LANE LINE	3125 M	
VH	YELLOW SINGLE CENTER	144 M	
VI	YELLOW DOUBLE CENTER	1884 M	
		TOTAL	36366 M
POLYUREA (600MM) Standard Glass Beads			
V2	WHT STOPBAR	254 M	
		TOTAL	254 M
POLYUREA PAVEMENT MARKING SYMBOL Standard Glass Beads			
WA	LEFT TURN ARROW	115 EA	
WB	RIGHT TURN ARROW	24 EA	
WC	STRAIGHT ARROW	150 EA	
WD	COMBO STRAIGHT/LEFT	2 EA	
WE	COMBO STRAIGHT/RIGHT	4 EA	
		TOTAL	295 EA
MARKERS			
SNOWPLOWABLE RAISED PAVEMENT MARKERS			
ME	YELLOW & YELLOW	90 EA	
MF	CRYSTAL & RED	1436 EA	
		TOTAL	1526 EA

12-FEB-2008 10:08 AM C:\Users\jtk\Documents\Projects\R-2518B\TrafficControl\top\PMR\R-2518B_TC_PMP_01.dgn
 Not for construction
 dwgset116 AT WZ1237500

APPROVED: <i>Jessica D. Kus</i> DATE: <i>1/18/08</i> 	FINAL PAVEMENT MARKINGS AND MARKERS								
SCALE: NONE DATE: 01/08 DWG. BY: RMG DESIGN BY: RMG REVIEWED BY: JDK	 <table border="1" style="width: 100%; border-collapse: collapse;"> <tr> <th colspan="2">REVISIONS</th> </tr> <tr> <td style="width: 50%;"></td> <td style="width: 50%;"></td> </tr> <tr> <td></td> <td></td> </tr> <tr> <td></td> <td></td> </tr> </table>	REVISIONS							
REVISIONS									



PROJ. REFERENCE NO.	SHEET NO.
R-2518B	PM-2



NOTES:

SEE SHEET PM-1 FOR FINAL PAVEMENT MARKING / MARKER SCHEDULE.

PAVEMENT MARKINGS TO BE MARKED ACCORDING TO ROADWAY STANDARD DRAWINGS UNLESS OTHERWISE NOTED IN PLANS.

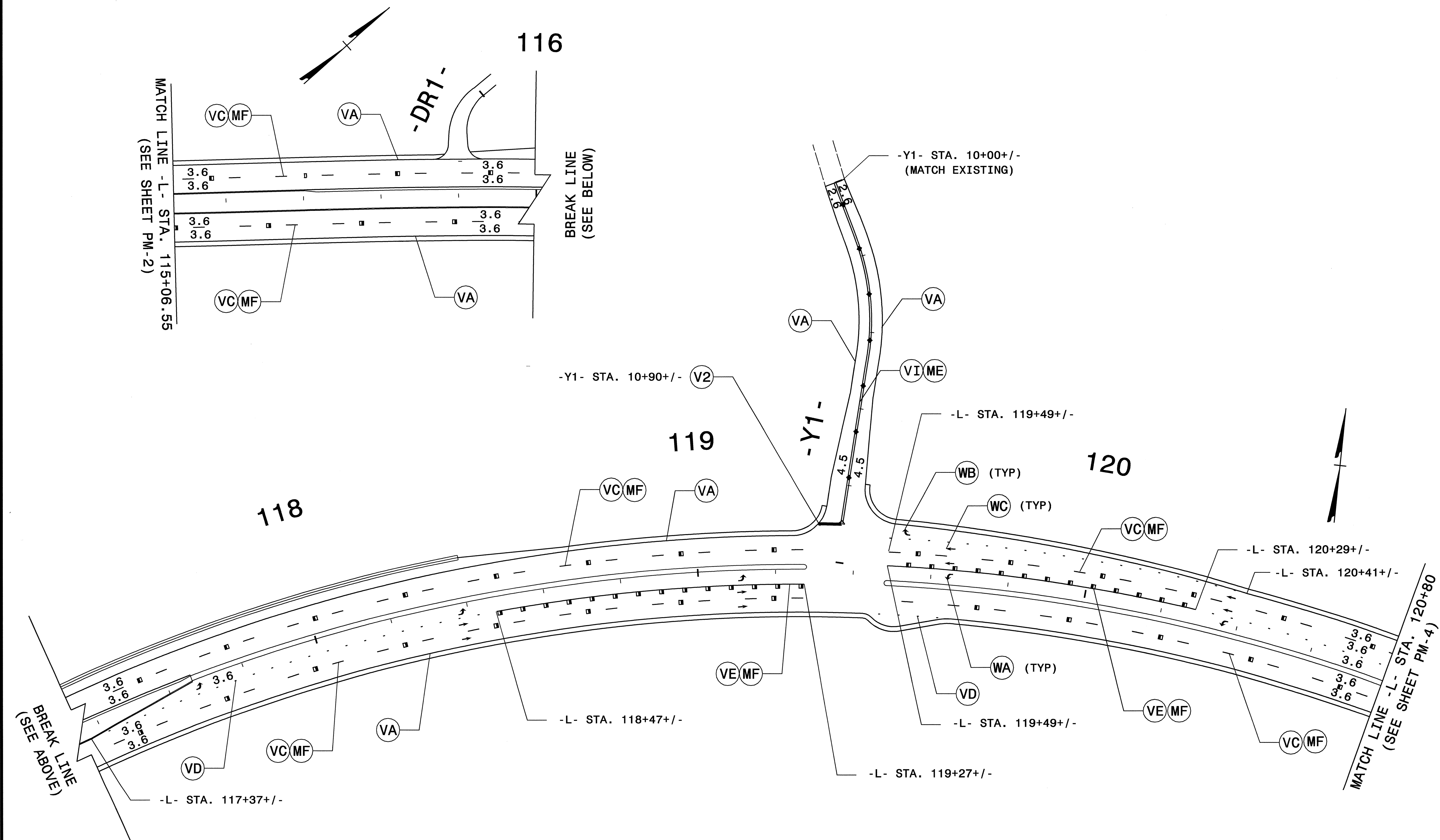
MARKERS ARE TO BE SPACED ACCORDING TO THE ROADWAY STANDARD DRAWINGS.

APPROVED: <i>Josca Kuy</i> DATE: 4/2/08	FINAL PAVEMENT MARKINGS AND MARKERS									
	SCALE: NONE									
	DATE: 12/07									
	DWG. BY: DWB									
	DESIGN BY: DWB									
REVIEWED BY: JDK	<table border="1"> <thead> <tr> <th colspan="2">REVISIONS</th> </tr> </thead> <tbody> <tr> <td> </td> <td> </td> </tr> <tr> <td> </td> <td> </td> </tr> <tr> <td> </td> <td> </td> </tr> </tbody> </table>		REVISIONS							
REVISIONS										

12-FEB-2008 10:08 I:\DOT\ctf\sr\dot\ProJ\TIP\Projects-R\2518B\Traffic\TrafficControl\top\PM\N\2518B_TC_PMP_02.dgn
 DWB\set118 AT 12/12/07 15:00



PROJ. REFERENCE NO.	SHEET NO.
R-2518B	PM-3



NOTES:

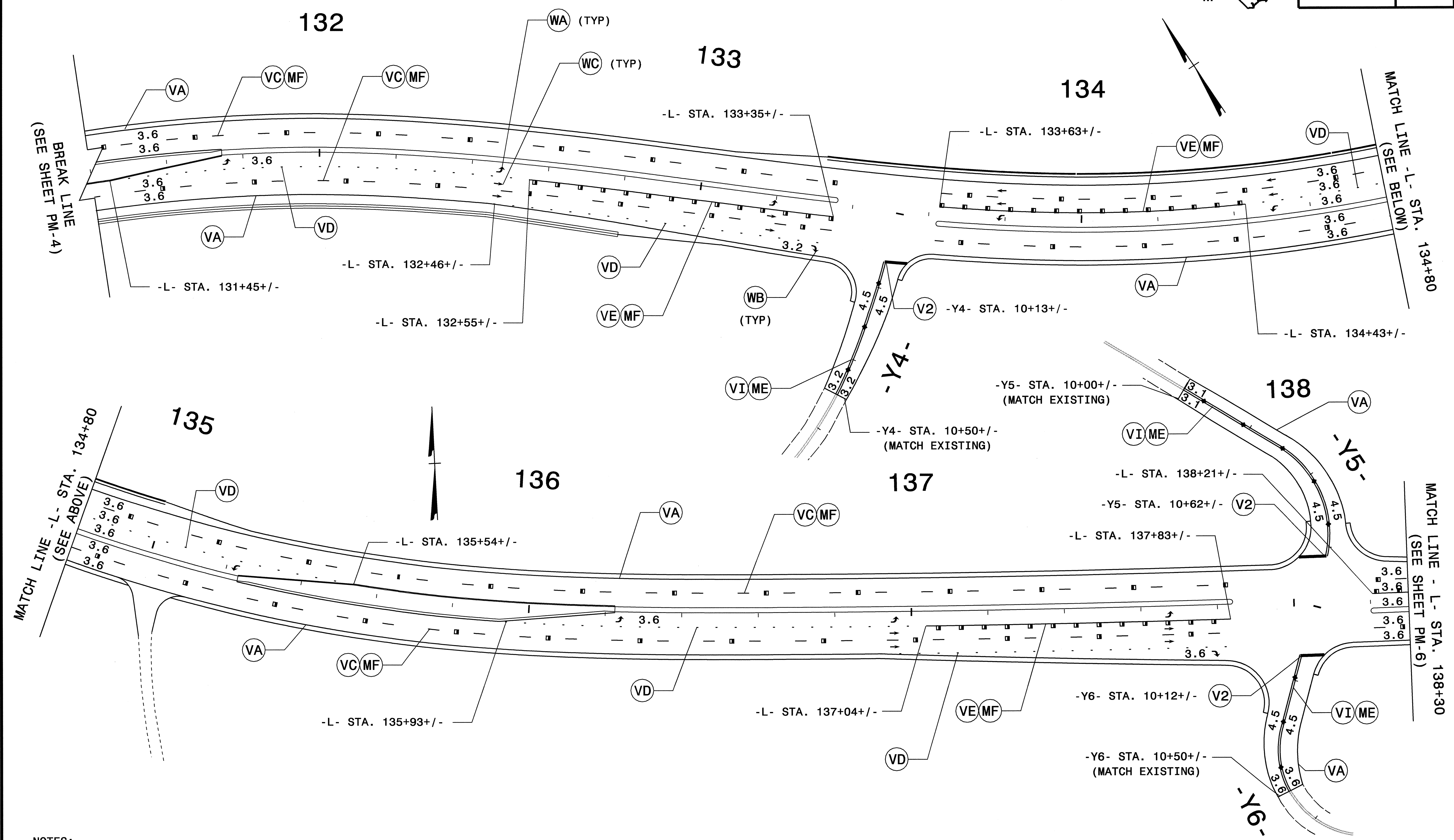
- SEE SHEET PM-1 FOR FINAL PAVEMENT MARKING / MARKER SCHEDULE.
- PAVEMENT MARKINGS TO BE MARKED ACCORDING TO ROADWAY STANDARD DRAWINGS UNLESS OTHERWISE NOTED IN PLANS.
- MARKERS ARE TO BE SPACED ACCORDING TO THE ROADWAY STANDARD DRAWINGS.

APPROVED: <i>Jessica D. Kuse</i> DATE: 2/12/08	FINAL PAVEMENT MARKINGS AND MARKERS	
SCALE: NONE		REVISIONS
DATE: 12/07		
DWG. BY: DWB		
DESIGN BY: DWB		
REVIEWED BY: JDK		CADD FILE

12-FEB-2008 10:09
 I:\D:\Projects\Projects\R2518B\TrafficControl\top\PM\PM-2518B_TC_PMP_03.dgn
 dwb:sdh
 AT 12/03/07 15:00



PROJ. REFERENCE NO.	SHEET NO.
R-2518B	PM-5



NOTES:

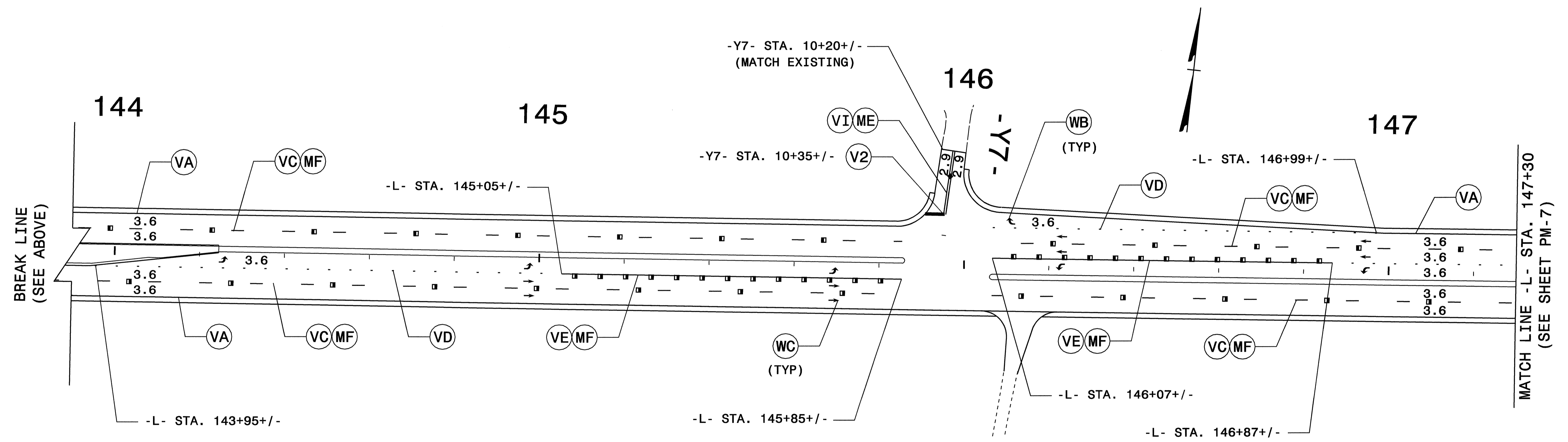
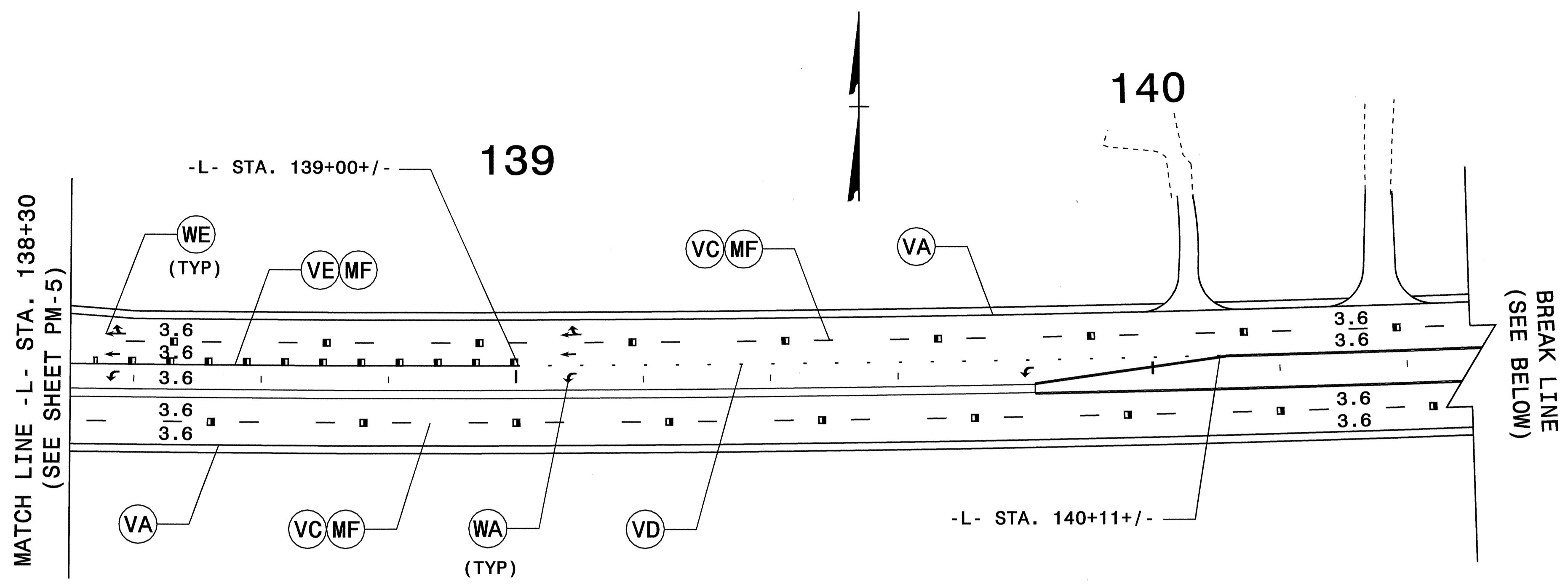
- SEE SHEET PM-1 FOR FINAL PAVEMENT MARKING / MARKER SCHEDULE.
- PAVEMENT MARKINGS TO BE MARKED ACCORDING TO ROADWAY STANDARD DRAWINGS UNLESS OTHERWISE NOTED IN PLANS.
- MARKERS ARE TO BE SPACED ACCORDING TO THE ROADWAY STANDARD DRAWINGS.

APPROVED: <i>[Signature]</i> DATE: 2/12/08 	FINAL PAVEMENT MARKINGS AND MARKERS							
	SCALE: NONE DATE: 12/07 DWG. BY: DWB DESIGN BY: DWB REVIEWED BY: JDK		<table border="1"> <tr> <th colspan="2">REVISIONS</th> </tr> <tr> <td> </td> <td> </td> </tr> <tr> <td> </td> <td> </td> </tr> </table>	REVISIONS				
REVISIONS								

I:\FEB-2008\1040\LD\DWG\001\Pro\Stores\Pro\TIP\Projects\R2518B\Traffic\TrafficControl\top\PM-5\PM-5.dgn
 DWB:sdh AT 11/23/1500



PROJ. REFERENCE NO.	SHEET NO.
R-2518B	PM-6



NOTES:

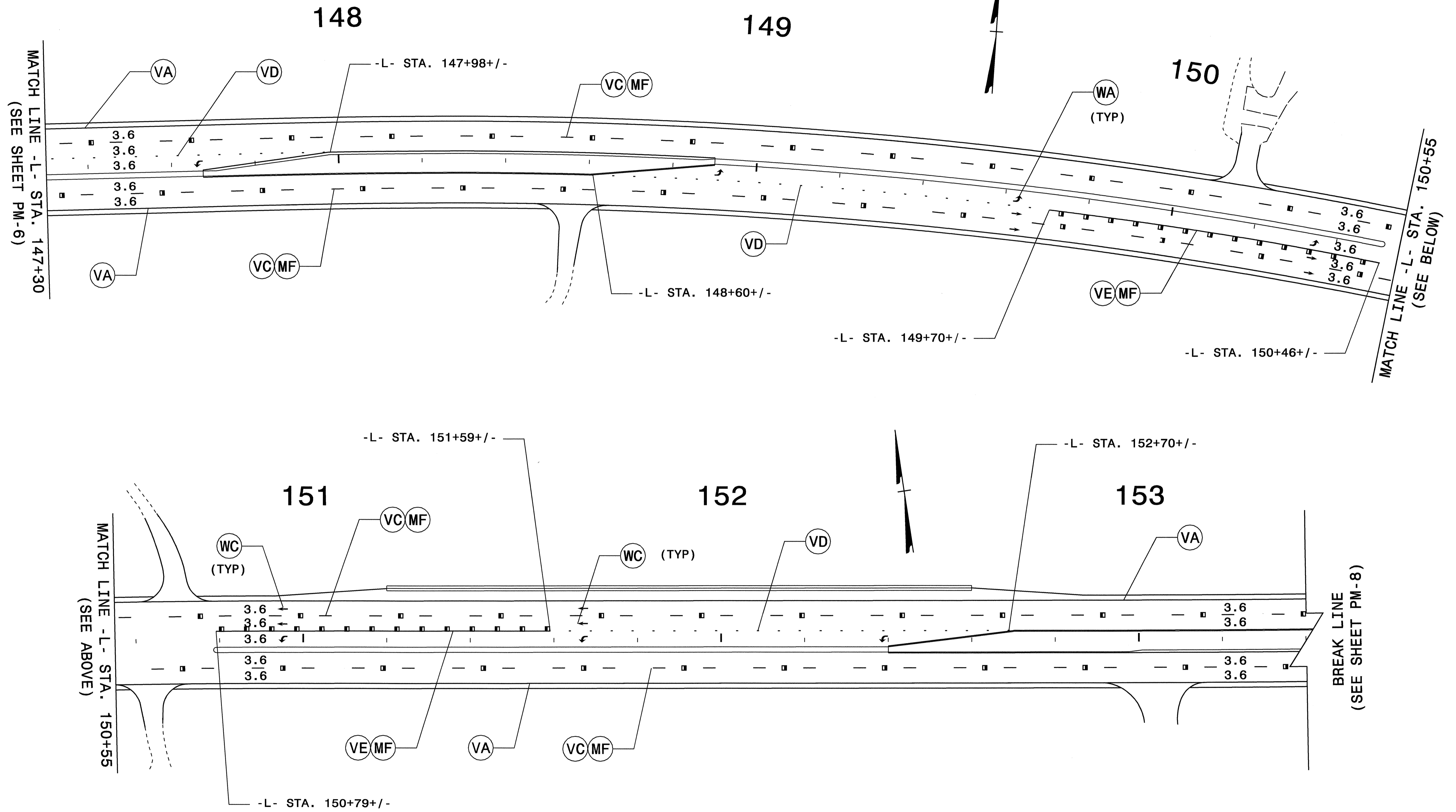
- SEE SHEET PM-1 FOR FINAL PAVEMENT MARKING / MARKER SCHEDULE.
- PAVEMENT MARKINGS TO BE MARKED ACCORDING TO ROADWAY STANDARD DRAWINGS UNLESS OTHERWISE NOTED IN PLANS.
- MARKERS ARE TO BE SPACED ACCORDING TO THE ROADWAY STANDARD DRAWINGS.

APPROVED: <i>Jessica Kuse</i> DATE: 12/10/07	FINAL PAVEMENT MARKINGS AND MARKERS																	
<table border="1"> <tr> <td>SCALE:</td> <td>NONE</td> </tr> <tr> <td>DATE:</td> <td>12/07</td> </tr> <tr> <td>DWG. BY:</td> <td>DWB</td> </tr> <tr> <td>DESIGN BY:</td> <td>DWB</td> </tr> <tr> <td>REVIEWED BY:</td> <td>JDK</td> </tr> </table>	SCALE:	NONE	DATE:	12/07	DWG. BY:	DWB	DESIGN BY:	DWB	REVIEWED BY:	JDK	<table border="1"> <tr> <th colspan="2">REVISIONS</th> </tr> <tr> <td> </td> <td> </td> </tr> <tr> <td> </td> <td> </td> </tr> </table>		REVISIONS					
SCALE:	NONE																	
DATE:	12/07																	
DWG. BY:	DWB																	
DESIGN BY:	DWB																	
REVIEWED BY:	JDK																	
REVISIONS																		

I:\2-FEB-2008 10:10...
 12-FEB-2008 10:10...
 ...
 AT 12/10/07 10:10



PROJ. REFERENCE NO. R-2518B	SHEET NO. PM-7
--------------------------------	-------------------



NOTES:

SEE SHEET PM-1 FOR FINAL PAVEMENT MARKING / MARKER SCHEDULE.

PAVEMENT MARKINGS TO BE MARKED ACCORDING TO ROADWAY STANDARD DRAWINGS UNLESS OTHERWISE NOTED IN PLANS.

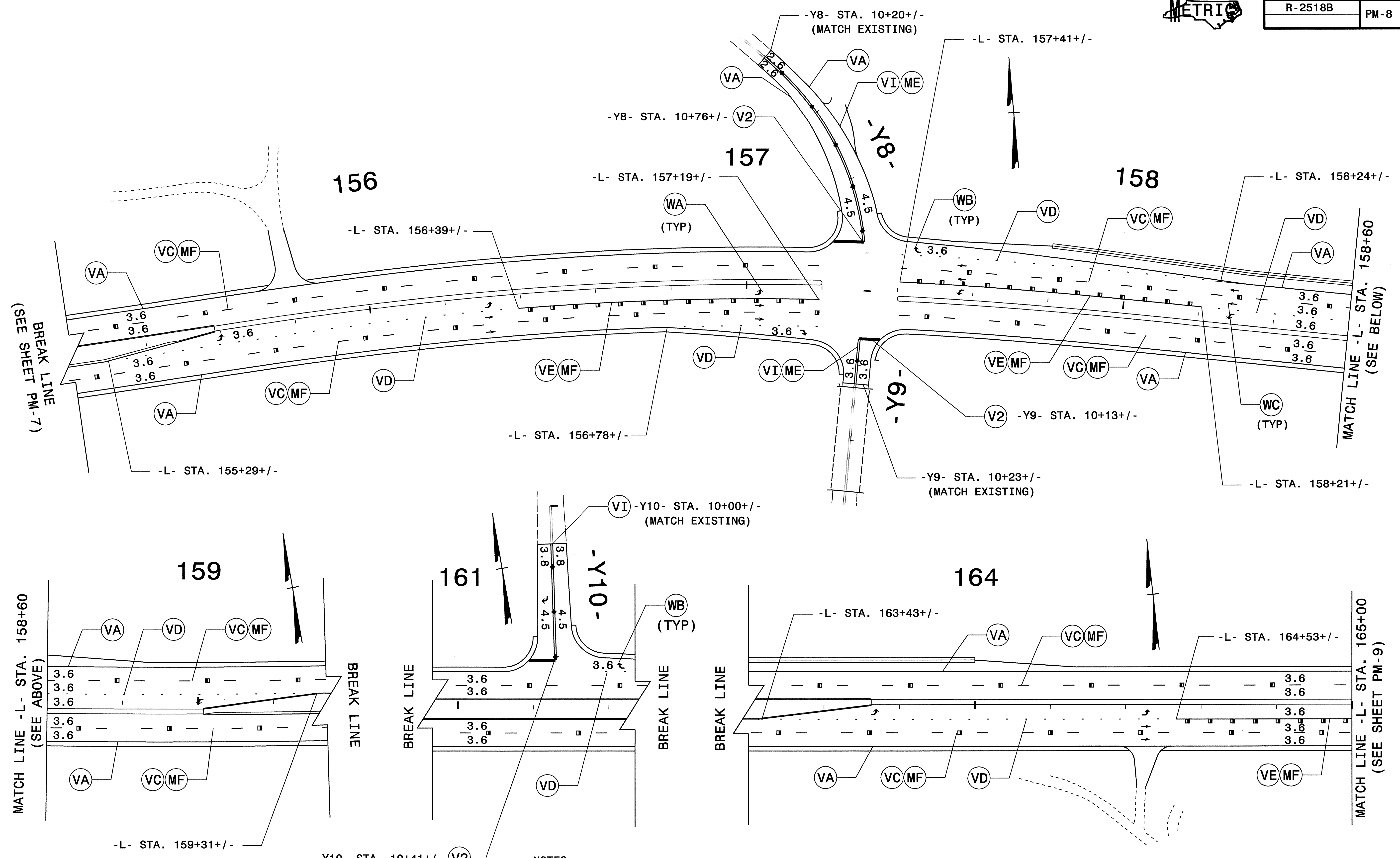
MARKERS ARE TO BE SPACED ACCORDING TO THE ROADWAY STANDARD DRAWINGS.

12-FEB-2008 10:42
 \dot\vt\sr\root\1\Projects\2518B\TrafficControl\top\PM\AR-2518B_TC_PMP_07.dgn
 dwb\sette AT: 12/23/07

APPROVED: <i>Joselyn</i> DATE: <i>12/08</i>		FINAL PAVEMENT MARKINGS AND MARKERS	
	SCALE: NONE		REVISIONS
	DATE: 12/07		
	DWG. BY: DWB		
	DESIGN BY: DWB		
	REVIEWED BY: JDK		



PROJ. REFERENCE NO.	SHEET NO.
R-2518B	PM-8



12-FEB-2008 10:13
 C:\D:\Projects\2518B\TrafficControl\Top\PM-8\TC_PMP_08.dgn
 dwb:sdh AT 12/23/07

NOTES:

SEE SHEET PM-1 FOR FINAL PAVEMENT MARKING / MARKER SCHEDULE.

PAVEMENT MARKINGS TO BE MARKED ACCORDING TO ROADWAY STANDARD DRAWINGS UNLESS OTHERWISE NOTED IN PLANS.

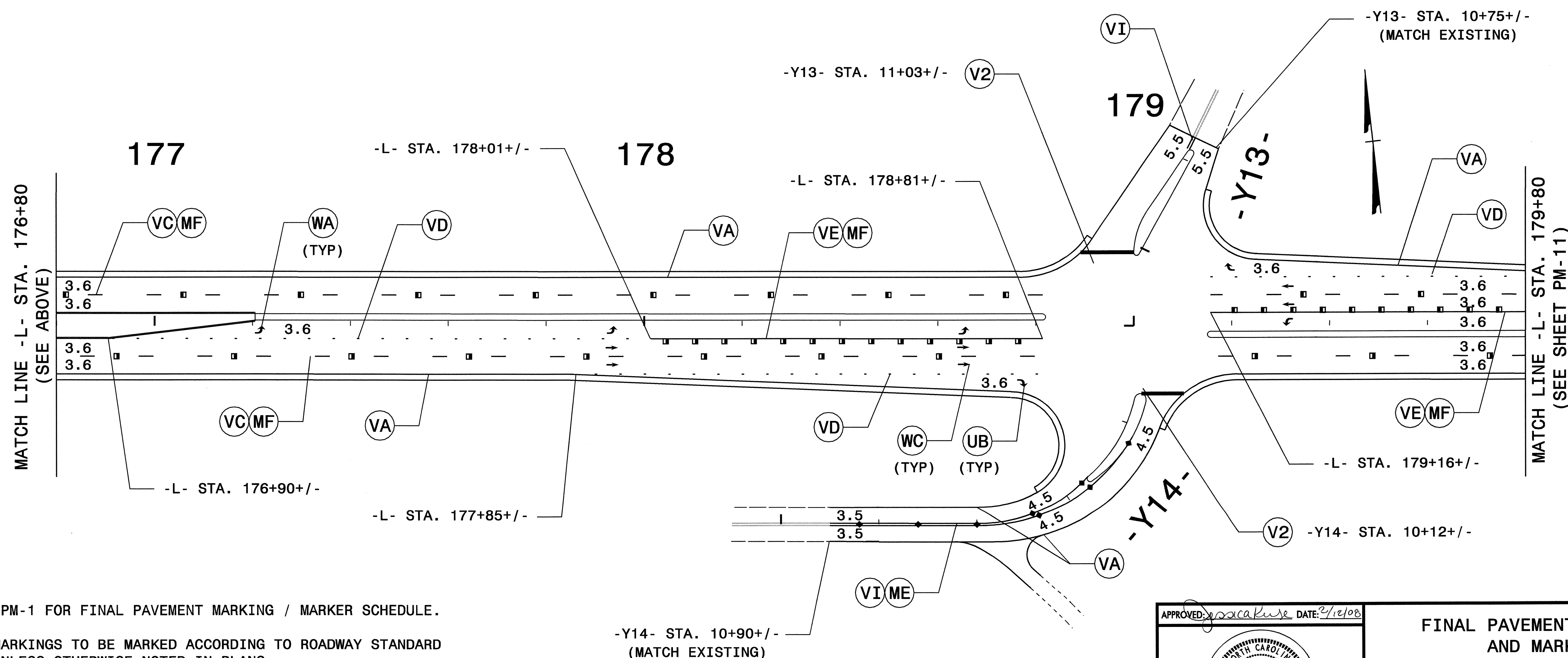
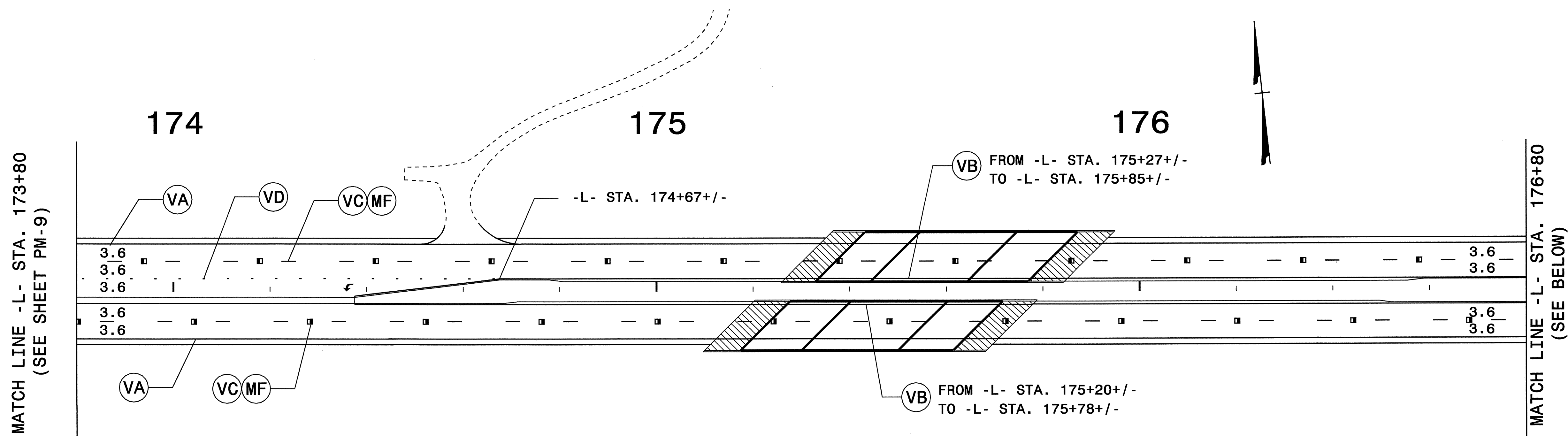
MARKERS ARE TO BE SPACED ACCORDING TO THE ROADWAY STANDARD DRAWINGS.

APPROVED: *Jessica D. Kuss* DATE: 12/08

FINAL PAVEMENT MARKINGS AND MARKERS	
SCALE: NONE	REVISIONS
DATE: 12/07	
DESIGN BY: DWB	
REVIEWED BY: JDK	



PROJ. REFERENCE NO.	SHEET NO.
R-2518B	PM-10



NOTES:

SEE SHEET PM-1 FOR FINAL PAVEMENT MARKING / MARKER SCHEDULE.

PAVEMENT MARKINGS TO BE MARKED ACCORDING TO ROADWAY STANDARD DRAWINGS UNLESS OTHERWISE NOTED IN PLANS.

MARKERS ARE TO BE SPACED ACCORDING TO THE ROADWAY STANDARD DRAWINGS.

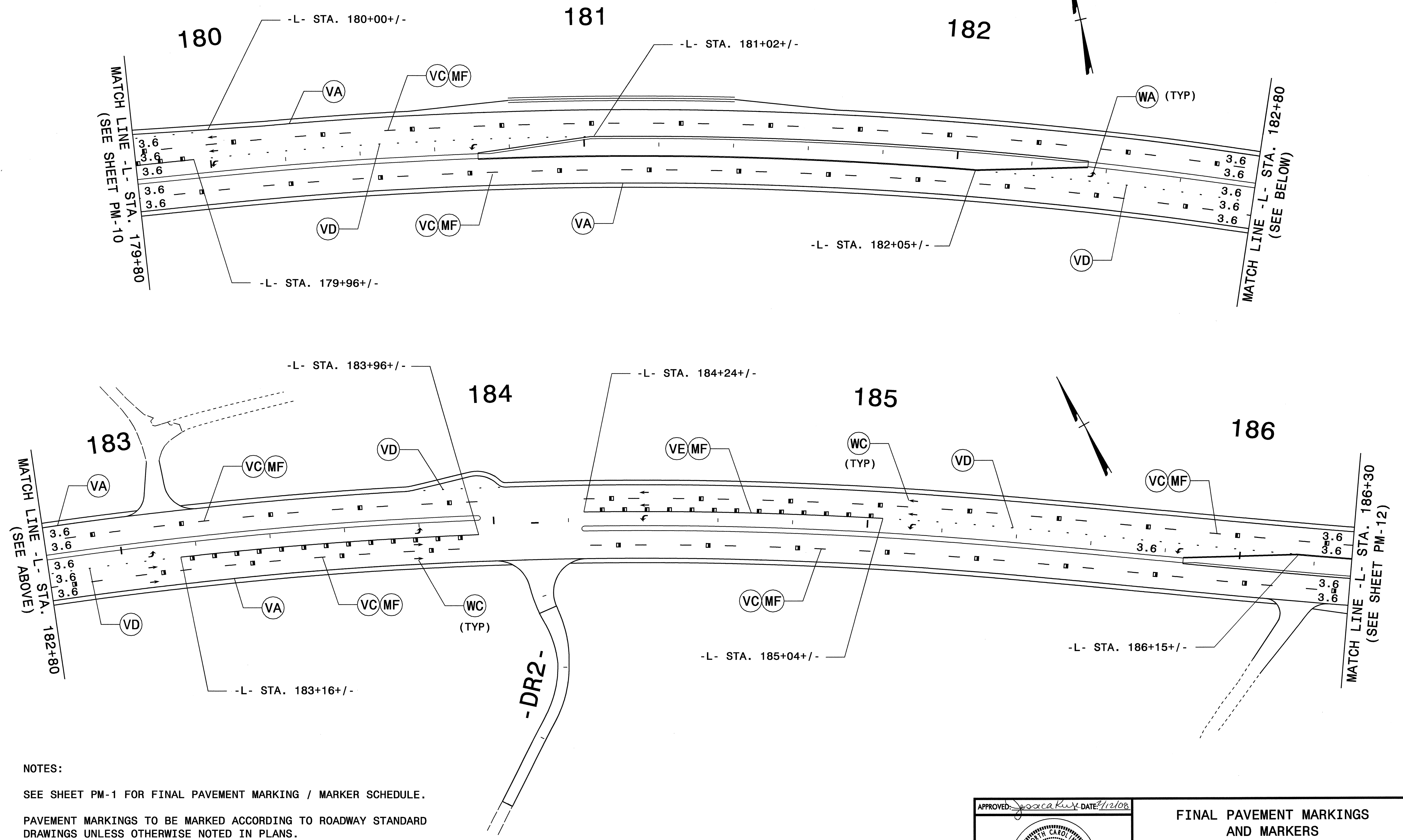
-Y14- STA. 10+90+/-
(MATCH EXISTING)

APPROVED: <i>[Signature]</i> DATE: 2/10/08	FINAL PAVEMENT MARKINGS AND MARKERS							
	SCALE: NONE							
	DATE: 12/07							
	DWG. BY: DWB							
	DESIGN BY: DWB							
REVIEWED BY: JDK	REVISIONS	<table border="1"> <tr><td> </td><td> </td></tr> <tr><td> </td><td> </td></tr> <tr><td> </td><td> </td></tr> </table>						

I:\FEB-2008\1044\LD\Drawings\Traffic\TrafficControl\PM\PM-R-2518B-TC_PMP-10.dgn
 DWB:DWB AT 11:23:15 AM



PROJ. REFERENCE NO.	SHEET NO.
R-2518B	PM-11



NOTES:

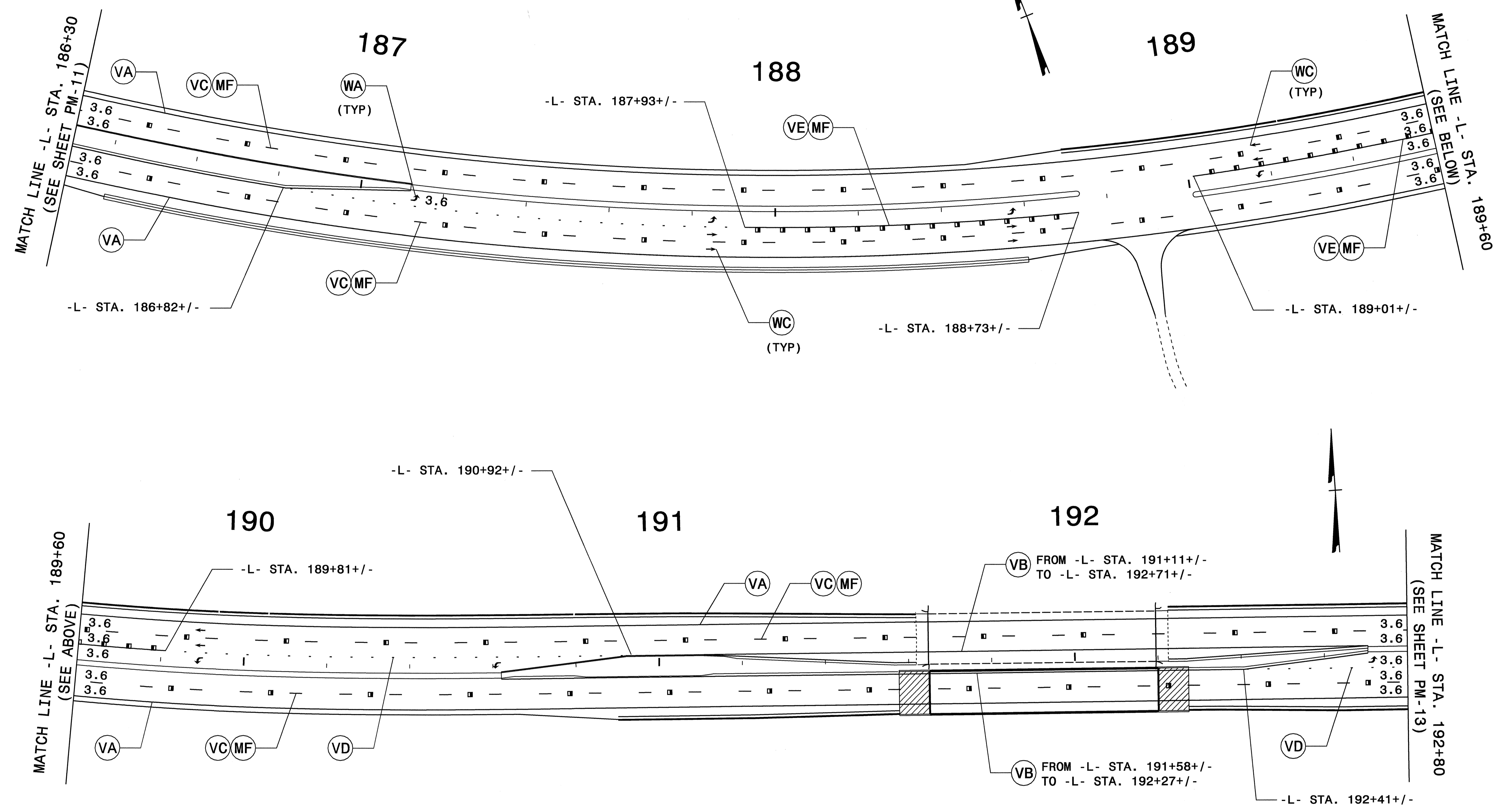
- SEE SHEET PM-1 FOR FINAL PAVEMENT MARKING / MARKER SCHEDULE.
- PAVEMENT MARKINGS TO BE MARKED ACCORDING TO ROADWAY STANDARD DRAWINGS UNLESS OTHERWISE NOTED IN PLANS.
- MARKERS ARE TO BE SPACED ACCORDING TO THE ROADWAY STANDARD DRAWINGS.

APPROVED: <i>Jessica Kuss</i> DATE: 12/08	FINAL PAVEMENT MARKINGS AND MARKERS	
SCALE: NONE		REVISIONS
DATE: 12/07		
DWG. BY: DWB		
DESIGN BY: DWB		
REVIEWED BY: JDK		CADD FILE

12-FEB-2008 10:44
 C:\D:\Projects\2518B\TrafficControl\PM-11.dgn
 dwb:sdh AT 12/23/07



PROJ. REFERENCE NO.	SHEET NO.
R-2518B	PM-12



NOTES:

SEE SHEET PM-1 FOR FINAL PAVEMENT MARKING / MARKER SCHEDULE.

PAVEMENT MARKINGS TO BE MARKED ACCORDING TO ROADWAY STANDARD DRAWINGS UNLESS OTHERWISE NOTED IN PLANS.

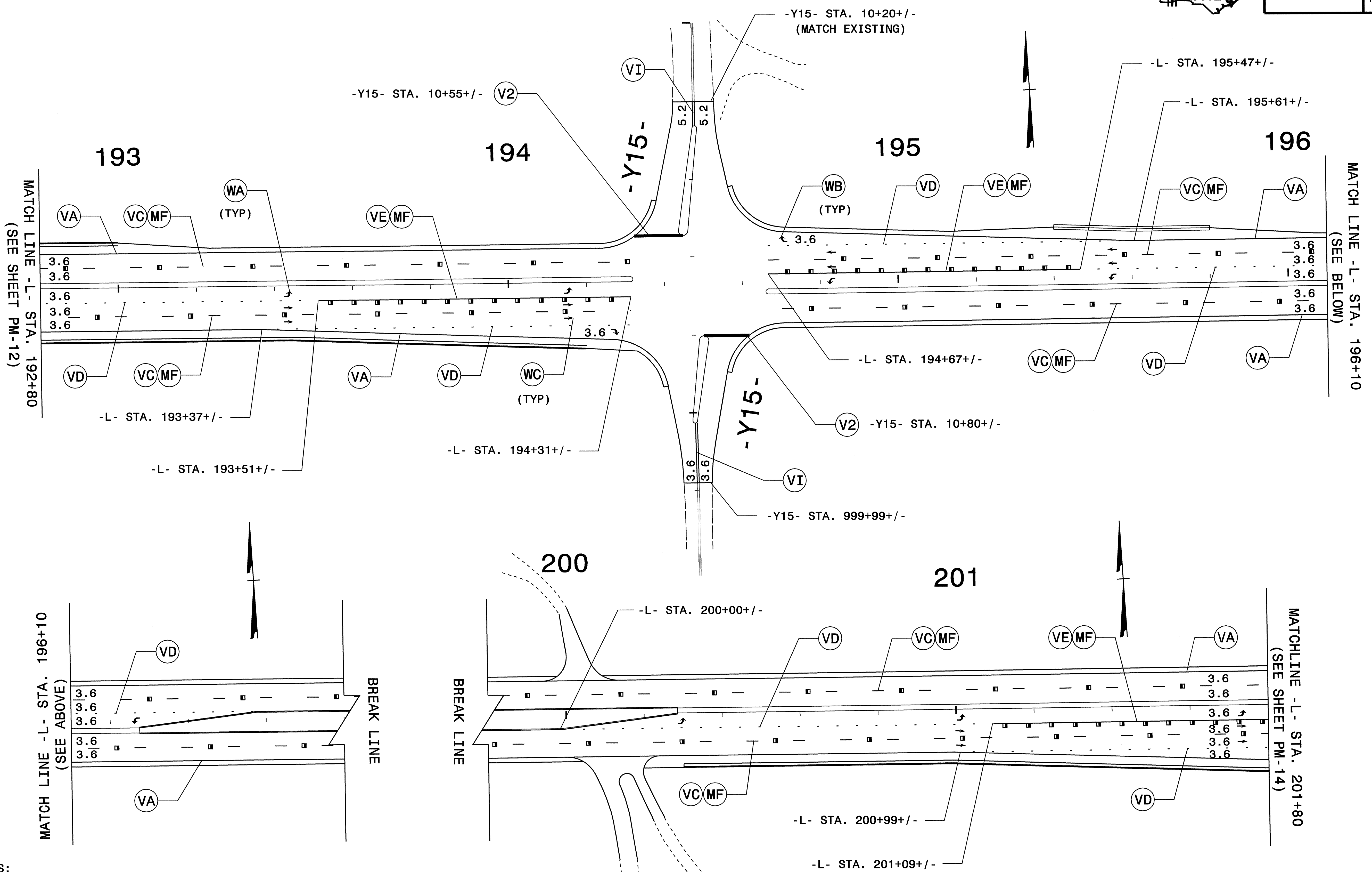
MARKERS ARE TO BE SPACED ACCORDING TO THE ROADWAY STANDARD DRAWINGS.

APPROVED: <i>Jessica K...</i> DATE: <i>2/12/08</i>	FINAL PAVEMENT MARKINGS AND MARKERS												
<table border="1"> <tr> <td>SCALE: NONE</td> <td rowspan="4"> </td> <td>REVISIONS</td> </tr> <tr> <td>DATE: 12/07</td> <td></td> </tr> <tr> <td>DWG. BY: DWB</td> <td></td> </tr> <tr> <td>DESIGN BY: DWB</td> <td></td> </tr> <tr> <td>REVIEWED BY: JDK</td> <td></td> <td>CADD FILE</td> </tr> </table>	SCALE: NONE		REVISIONS	DATE: 12/07		DWG. BY: DWB		DESIGN BY: DWB		REVIEWED BY: JDK		CADD FILE	
SCALE: NONE			REVISIONS										
DATE: 12/07													
DWG. BY: DWB													
DESIGN BY: DWB													
REVIEWED BY: JDK		CADD FILE											

I:\FEB-2008 1045... \D:\Users\jdw\My Documents\Projects\TrafficControl\top\PM-12.dgn
 AT: WZ10231500



PROJ. REFERENCE NO.	SHEET NO.
R-2518B	PM-13



NOTES:

SEE SHEET PM-1 FOR FINAL PAVEMENT MARKING / MARKER SCHEDULE.

PAVEMENT MARKINGS TO BE MARKED ACCORDING TO ROADWAY STANDARD DRAWINGS UNLESS OTHERWISE NOTED IN PLANS.

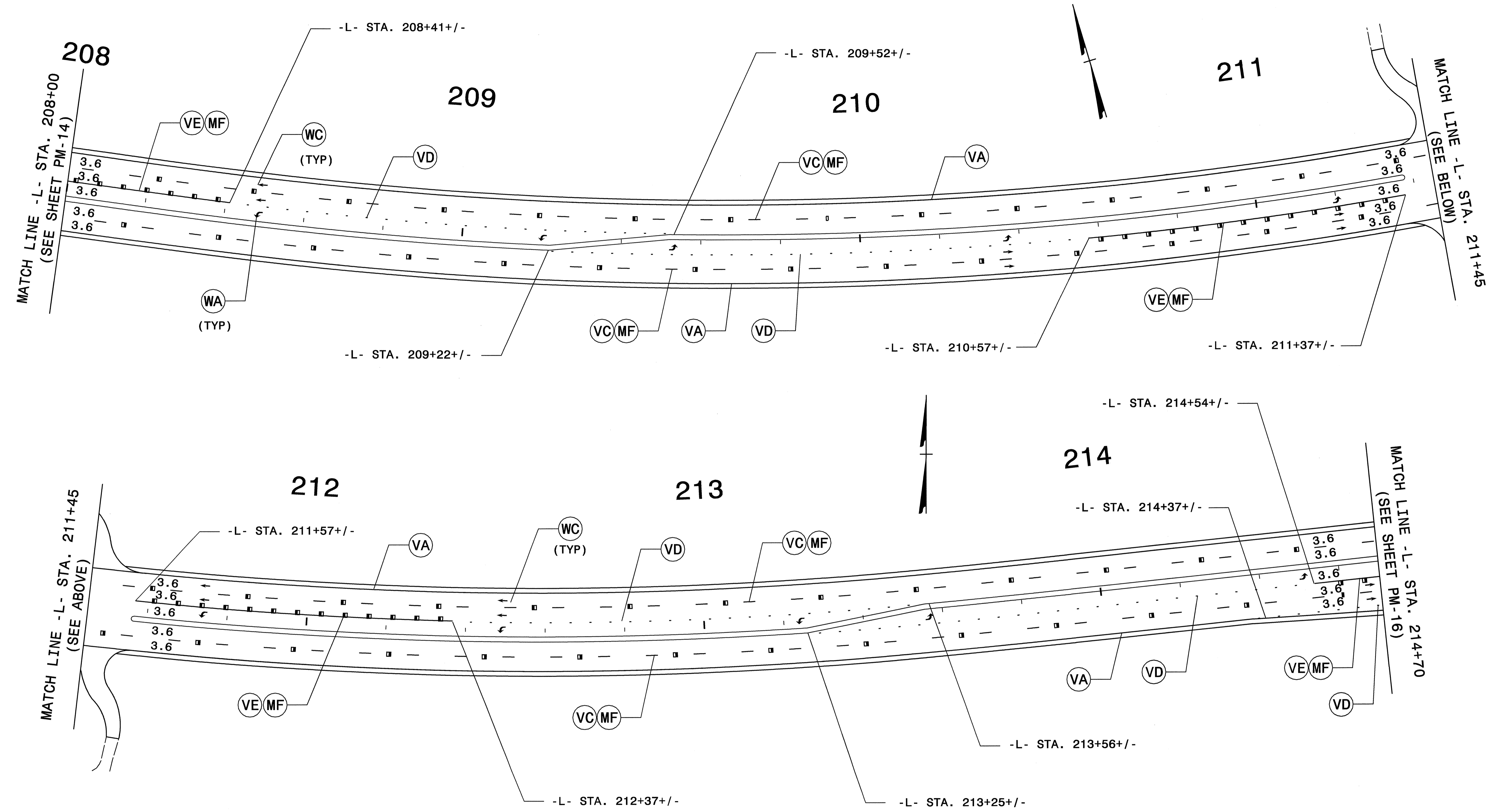
MARKERS ARE TO BE SPACED ACCORDING TO THE ROADWAY STANDARD DRAWINGS.

APPROVED: <i>Jessica Kuse</i> DATE: 2/12/09		FINAL PAVEMENT MARKINGS AND MARKERS	
SCALE:	NONE		REVISIONS
DATE:	12/07		
DWG. BY:	DWB		
DESIGN BY:	DWB		
REVIEWED BY:	JDK		

I:\FEB-2008 1045 [Project] \TrafficControl\top\PM-13.dgn
 AT WE 12/23/09

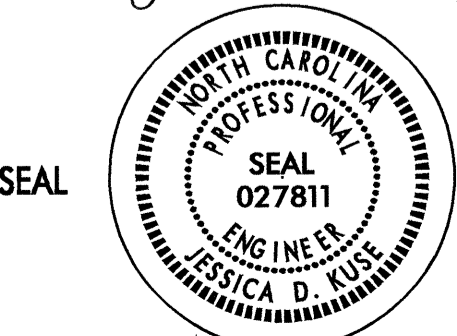



PROJ. REFERENCE NO.	SHEET NO.
R-2518B	PM-15



NOTES:

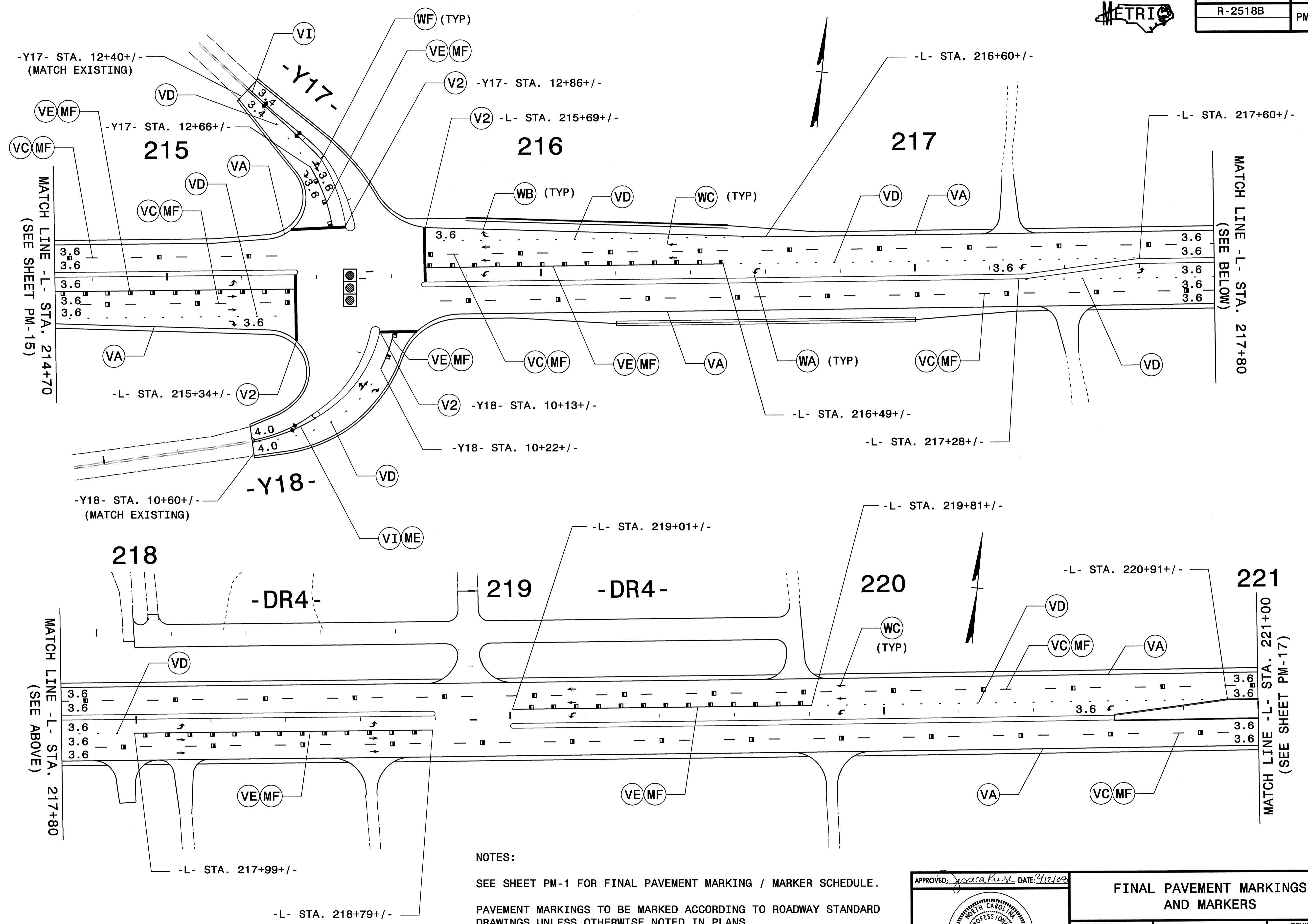
- SEE SHEET PM-1 FOR FINAL PAVEMENT MARKING / MARKER SCHEDULE.
- PAVEMENT MARKINGS TO BE MARKED ACCORDING TO ROADWAY STANDARD DRAWINGS UNLESS OTHERWISE NOTED IN PLANS.
- MARKERS ARE TO BE SPACED ACCORDING TO THE ROADWAY STANDARD DRAWINGS.

APPROVED: <i>J. K. KISS</i> DATE: 12/07	FINAL PAVEMENT MARKINGS AND MARKERS	
		
SCALE: NONE		REVISIONS
DATE: 12/07		
DWG. BY: DWB		
DESIGN BY: DWB		
REVIEWED BY: JDK		CADD PLS

R:\FEB-2008 10417
 \D:\Projects\2518B\TrafficControl\TrafficControl\PM-15.dgn
 AT: WZ1237500



PROJ. REFERENCE NO.	SHEET NO.
R-2518B	PM-16



NOTES:

SEE SHEET PM-1 FOR FINAL PAVEMENT MARKING / MARKER SCHEDULE.

PAVEMENT MARKINGS TO BE MARKED ACCORDING TO ROADWAY STANDARD DRAWINGS UNLESS OTHERWISE NOTED IN PLANS.

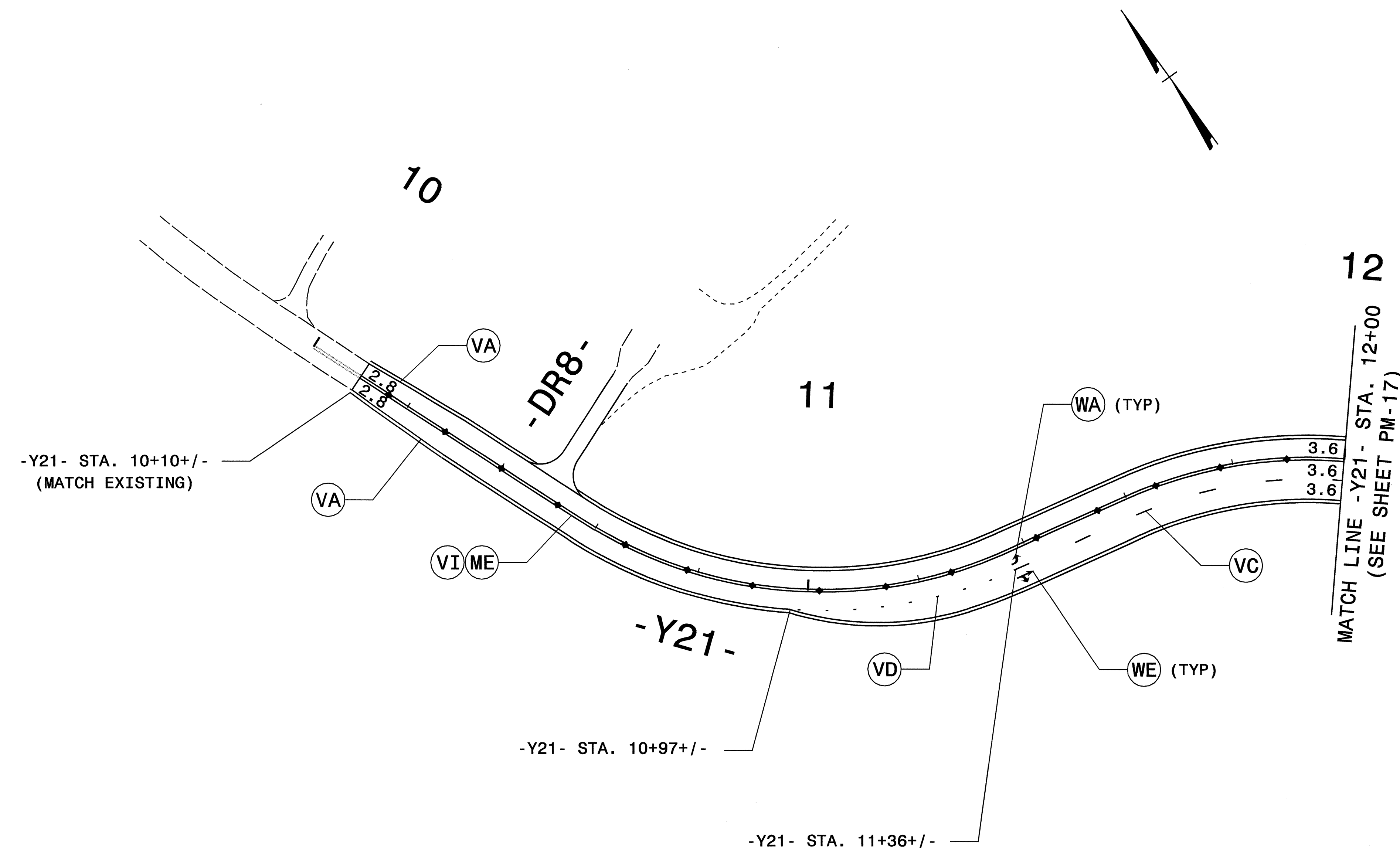
MARKERS ARE TO BE SPACED ACCORDING TO THE ROADWAY STANDARD DRAWINGS.

APPROVED: <i>Jessica D. Kus</i> DATE: <i>1/10/08</i>	FINAL PAVEMENT MARKINGS AND MARKERS	
SCALE: NONE		REVISIONS
DATE: 12/07		
DWG. BY: DWB		
DESIGN BY: DWB		
REVIEWED BY: JDK		

I:\2-FEB-2008 10:17 L.D.D. of use co\10\Proj\IP\Projects\R2518B\TrafficControl\top\PM\AR-2518B_TC_PMP_16.dgn
 dwb\ssb\16 AT WE 12/23/07



PROJ. REFERENCE NO.	SHEET NO.
R-2518B	PM-18



NOTES:

SEE SHEET PM-1 FOR FINAL PAVEMENT MARKING / MARKER SCHEDULE.

PAVEMENT MARKINGS TO BE MARKED ACCORDING TO ROADWAY STANDARD DRAWINGS UNLESS OTHERWISE NOTED IN PLANS.

MARKERS ARE TO BE SPACED ACCORDING TO THE ROADWAY STANDARD DRAWINGS.

I:\FEB-2008\0418\Projects\ProJ\TIP\Projects-R\2518B\Traffic\TrafficControl\top\PM\PM-R-2518B-TC_PMP_IB.dgn
 dwb\settle AT 12/12/07 15:00

APPROVED: <i>J. Sakakura</i> DATE: 12/07		FINAL PAVEMENT MARKINGS AND MARKERS	
SCALE: NONE	DATE: 12/07		REVISIONS
DWG. BY: DWB	DESIGN BY: DWB		
REVIEWED BY: JDK			