

SIGN NUMBER: SP08062 BACKG COLOR: Fluorescent Orange
 TYPE: D COPY COLOR: Black
 QUANTITY: 1

SYMBOL	X	Y	WID	HT

SIGN WIDTH: 36"
 HEIGHT: 34"
 TOTAL AREA: 8.5 Sq.Ft.

BORDER TYPE: INSET
 RECESS: 0.5"
 WIDTH: 0.75"
 RADII: 1.88"

NO. Z BARS:
 LENGTH:

MAT'L: 0.080" (2.0 mm) ALUMINUM
 0.079" COMPOSITE

DESIGN BY: R. HENNEIN CHECKED BY:
 PROJECT ID: B-5021 DIV: 6 DATE: Mar 17, 2008



USE NOTES: 1,2

- Legend and border shall be direct applied black non-reflective sheeting.
- Background shall be Type VII, VIII, or IX (prismatic) retroreflective sheeting.

LETTER POSITIONS

Letter spacings are to start of next letter

Letter spacings are to start of next letter											Series/Size Text Length
G	R	E	E	N							C 2000
7.8	4.6	4.4	4.1	4.1	3.4	7.8					20.5
S	P	R	I	N	G	S					C 2000
4.2	4.4	4.6	4.4	2.2	4.6	4.3	3.4	4.2			27.7
R	O	A	D								C 2000
9.7	4.3	4.3	4.7	3.4	9.7						16.6

Spacing Factor is 1 unless specified otherwise

FILENAME: sp08062_greenspringsroad NORTH CAROLINA D.O.T. SIGN DETAIL

SIGN NUMBER: SP08064 BACKG COLOR: Fluorescent Orange
 TYPE: D COPY COLOR: Black
 QUANTITY: 1

SYMBOL	X	Y	WID	HT

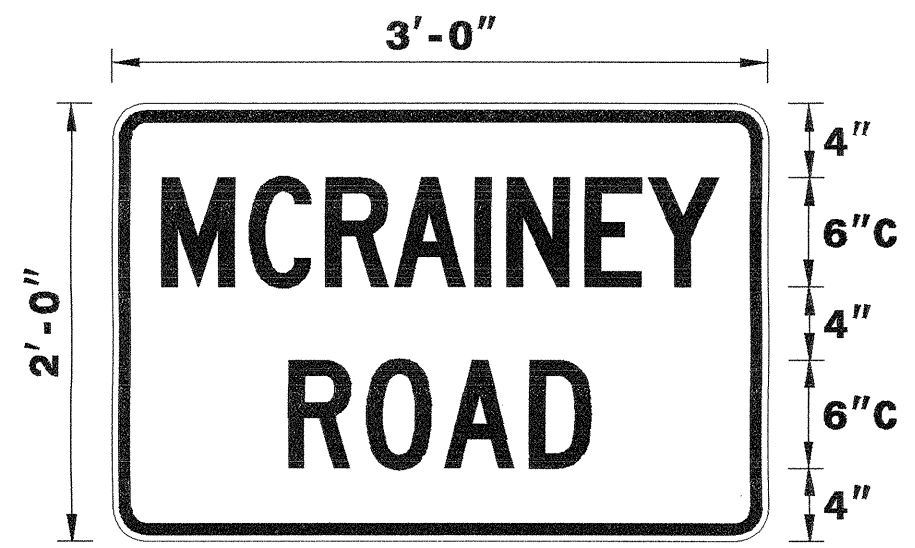
SIGN WIDTH: 36"
 HEIGHT: 24"
 TOTAL AREA: 6.0 Sq.Ft.

BORDER TYPE: INSET
 RECESS: 0.38"
 WIDTH: 0.63"
 RADII: 1.5"

NO. Z BARS:
 LENGTH:

MAT'L: 0.080" (2.0 mm) ALUMINUM
 0.079" COMPOSITE

DESIGN BY: R. HENNEIN CHECKED BY:
 PROJECT ID: B-5021 DIV: 6 DATE: Mar 17, 2008



USE NOTES: 1,2

- Legend and border shall be direct applied black non-reflective sheeting.
- Background shall be Type VII, VIII, or IX (prismatic) retroreflective sheeting.

LETTER POSITIONS

Letter spacings are to start of next letter

Letter spacings are to start of next letter											Series/Size Text Length	
M	C	R	A	I	N	E	Y				C 2000	
2.8	4.8	4.2	3.7	4.4	1.8	4.3	3.4	3.8	2.8			30.5
R	O	A	D								C 2000	
9.7	4.3	4.3	4.7	3.4	9.7						16.6	

Spacing Factor is 1 unless specified otherwise

FILENAME: SP08064_mcraineyroad NORTH CAROLINA D.O.T. SIGN DETAIL

SIGN NUMBER: SP08063 BACKG COLOR: Fluorescent Orange
 TYPE: D COPY COLOR: Black
 QUANTITY: 1

SYMBOL	X	Y	WID	HT

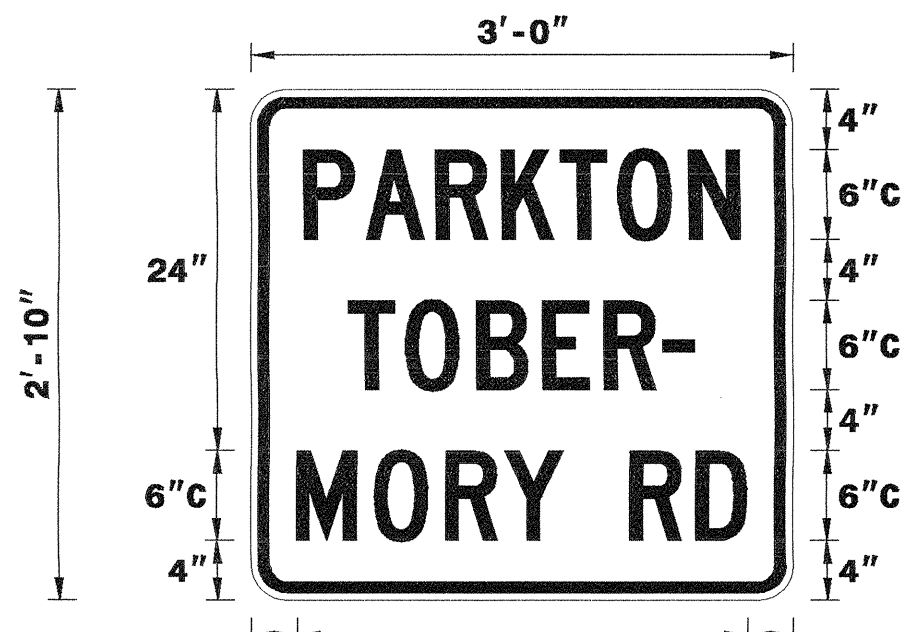
SIGN WIDTH: 36"
 HEIGHT: 34"
 TOTAL AREA: 8.5 Sq.Ft.

BORDER TYPE: INSET
 RECESS: 0.5"
 WIDTH: 0.75"
 RADII: 1.88"

NO. Z BARS:
 LENGTH:

MAT'L: 0.080" (2.0 mm) ALUMINUM
 0.079" COMPOSITE

DESIGN BY: R. HENNEIN CHECKED BY:
 PROJECT ID: B-5021 DIV: 6 DATE: Mar 17, 2008



USE NOTES: 1,2

- Legend and border shall be direct applied black non-reflective sheeting.
- Background shall be Type VII, VIII, or IX (prismatic) retroreflective sheeting.

LETTER POSITIONS

Letter spacings are to start of next letter

Letter spacings are to start of next letter											Series/Size Text Length
P	A	R	K	T	O	N					C 2000
3.5	4.1	4.7	4.4	3.9	3.8	4.7	3.4	3.5			28.9
T	O	B	E	R	-						C 2000
6.5	3.8	4.7	4.4	4.1	3.9	2.1	6.5				23
M	O	R	Y	R	D						C 2000
3.1	5.2	4.7	3.9	3.8	4.5	4.4	3.4	3.1			29.9

Spacing Factor is 1 unless specified otherwise

FILENAME: SP08063_parktontobermoryroad NORTH CAROLINA D.O.T. SIGN DETAIL

APPROVED: *[Signature]* DATE: 4/3/08

SEAL:

SPECIAL SIGN DESIGN

SCALE: NONE		REVISIONS
DATE: 4/3/08		
DWG. BY: RRH		
DESIGN BY: RRH		
REVIEWED BY: DME		

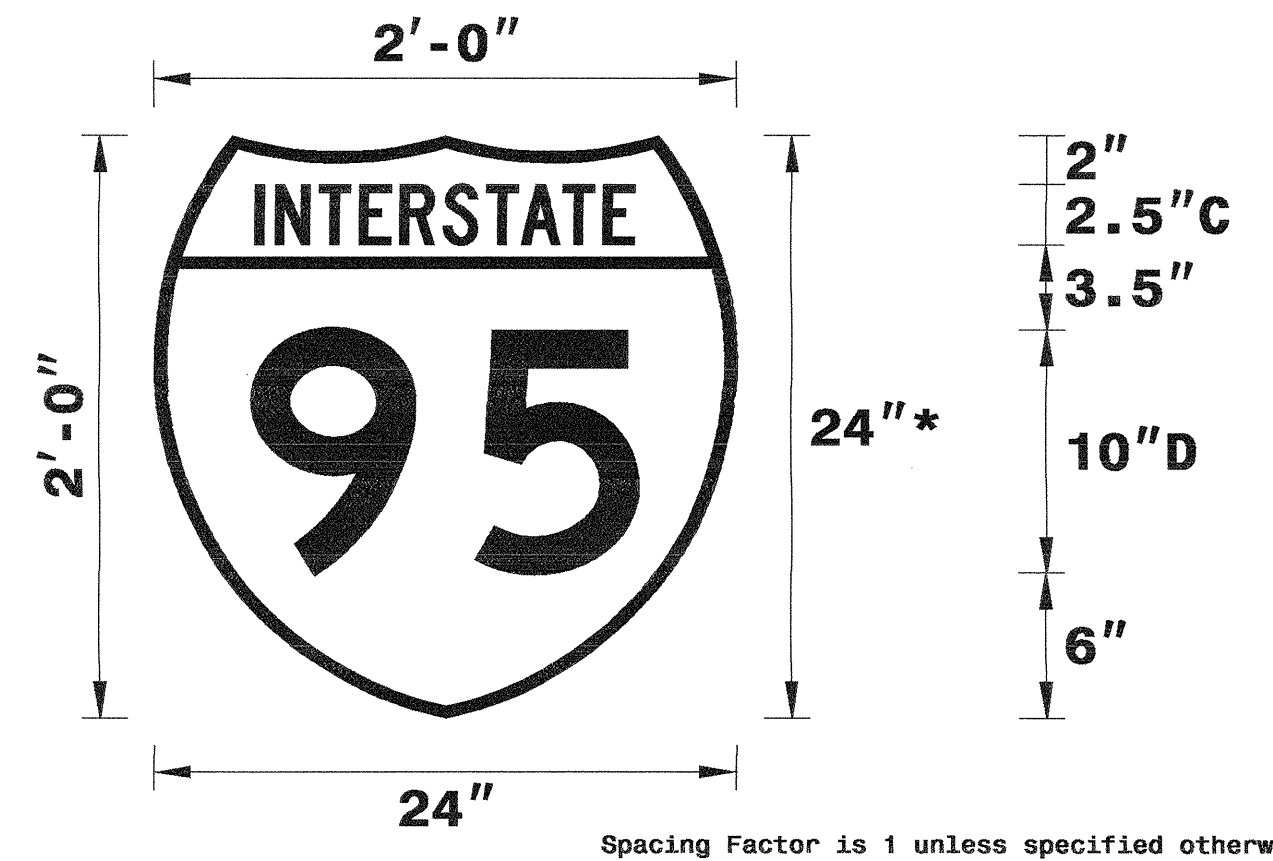
SIGN NUMBER: SP08069
 TYPE: F
 QUANTITY: 1
 SIGN WIDTH: 24"
 HEIGHT: 24"
 TOTAL AREA: 4.0 Sq.Ft.
 BORDER TYPE: FLUSH
 RECESS: 0"
 WIDTH: 0.5"
 RADII: 15"
 NO. Z BARS:
 LENGTH:

BACKG COLOR: Blue/Red
 COPY COLOR: White

SYMBOL	X	Y	WID	HT
M1_1	0	0	24	24

MAT'L: 0.063" (1.6 mm) ALUMINUM

DESIGN BY: R. HENNEIN
 PROJECT ID: B-5021
 CHECKED BY:
 DIV: 6
 DATE: Mar 17, 2008



USE NOTES:
 1. Shields shall be on 0.063" (1.6mm) aluminum and demountable.
 2. Shields shall be Type III sheeting.

LETTER POSITIONS

Letter spacings are to start of next letter

Letter spacings are to start of next letter												Series/Size
												Text Length
I	N	T	E	R	S	T	A	T	E			C
4.2	0.8	1.8	1.7	1.7	1.8	1.8	1.4	1.7	1.7	1.3	4.2	15.6
9	5											D
4	9.2	6.8	4									15.9

FILENAME: SP08069_I-95
 NORTH CAROLINA D.O.T. SIGN DETAIL

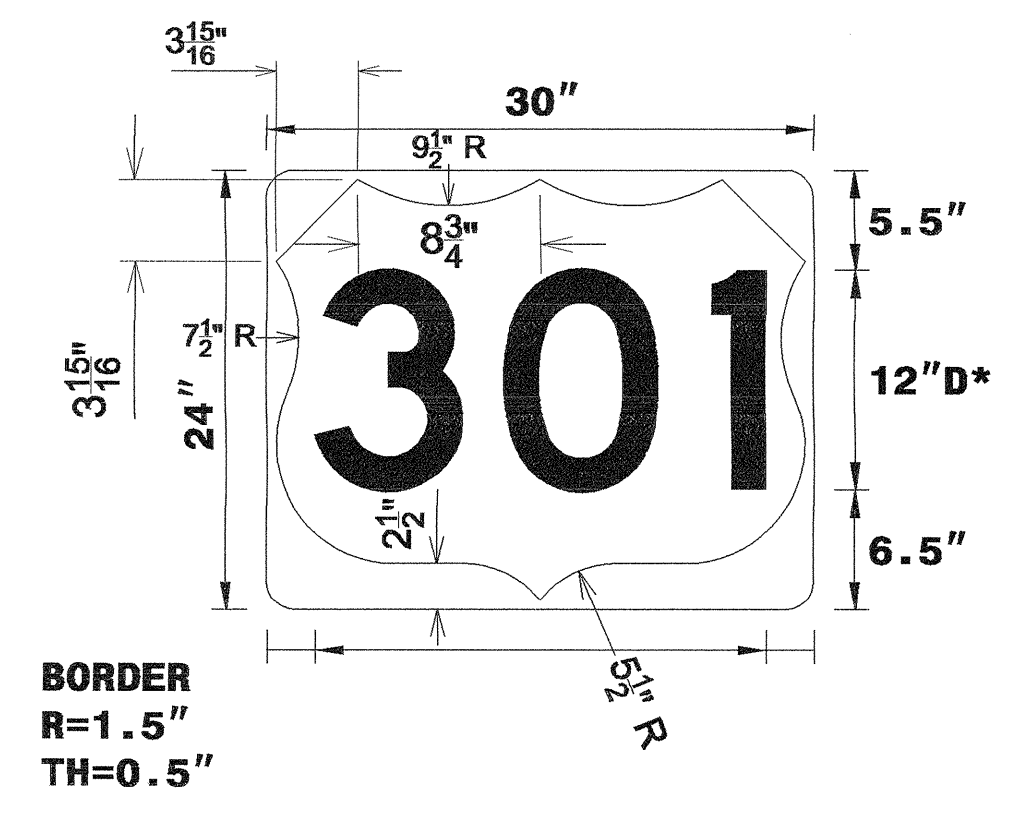
SIGN NUMBER: SP08070
 TYPE: F
 QUANTITY: 1
 SIGN WIDTH: 30"
 HEIGHT: 24"
 TOTAL AREA: 5.2 Sq.Ft.
 BORDER TYPE: FLUSH
 RECESS: 0"
 WIDTH: 0.5"
 RADII: 1.5"
 NO. Z BARS:
 LENGTH:

BACKG COLOR: Black/White
 COPY COLOR: Black

SYMBOL	X	Y	WID	HT
M1_4	0	0	30	24

MAT'L: 0.063" (1.6 mm) ALUMINUM

DESIGN BY: R. HENNEIN
 PROJECT ID: B-5021
 CHECKED BY:
 DIV: 6
 DATE: Mar 18, 2008



USE NOTES:
 1. Shields shall be on 0.063" (1.6mm) aluminum and demountable.
 2. Shields shall be Type III sheeting.

LETTER POSITIONS

Letter spacings are to start of next letter

Letter spacings are to start of next letter					Series/Size
					Text Length
3	0	1			D
2.6	10.4	11.4	3	2.6	24.7

FILENAME: SP08070_US301
 NORTH CAROLINA D.O.T. SIGN DETAIL

APPROVED: *[Signature]* DATE: 4/3/08

SPECIAL SIGN DESIGN

SCALE: NONE
 DATE: 4/3/08
 DWG. BY: RRH
 DESIGN BY: RRH
 REVIEWED BY: DME

SEAL
 NORTH CAROLINA PROFESSIONAL ENGINEER
 SEAL 028387
 AMAN I. ALQUDWAH
 ENGINEERING SECTION

REVISIONS

CADD FILE

SIGN NUMBER: SP08069 BACKG COLOR: Blue/Red
 TYPE: F COPY COLOR: White
 QUANTITY: 1
 SIGN WIDTH: 24" HEIGHT: 24"
 TOTAL AREA: 4.0 Sq.Ft.
 BORDER TYPE: FLUSH
 RECESS: 0"
 WIDTH: 0.5"
 RADII: 15"
 NO. Z BARS: MAT'L: 0.063" (1.6 mm) ALUMINUM
 LENGTH:

DESIGN BY: R. HENNEIN CHECKED BY:
 PROJECT ID: B-5021 DIV: 6 DATE: Mar 17, 2008

Spacing Factor is 1 unless specified otherwise

LETTER POSITIONS

Letter spacings are to start of next letter

	I	N	T	E	R	S	T	A	T	E		Series/Size Text Length
	4.2	0.8	1.8	1.7	1.7	1.8	1.8	1.4	1.7	1.7	1.3	4.2
	9	5										15.6
	4	9.2	6.8	4								15.9

FILENAME: SP08069_I-95 NORTH CAROLINA D.O.T. SIGN DETAIL

SIGN NUMBER: SP08105 BACKG COLOR: Fluorescent Orange
 TYPE: D COPY COLOR: Black
 QUANTITY: 1
 SIGN WIDTH: 36" HEIGHT: 24"
 TOTAL AREA: 6.0 Sq.Ft.
 BORDER TYPE: INSET
 RECESS: 0.38"
 WIDTH: 0.63"
 RADII: 1.5"
 NO. Z BARS: MAT'L: 0.080" (2.0 mm) ALUMINUM
 LENGTH: 0.079" COMPOSITE

DESIGN BY: R. HENNEIN CHECKED BY:
 PROJECT ID: B-5021 DIV: 6 DATE: Apr 08, 2008

BORDER
 R=1.5"
 TH=0.63"
 IN=0.38"

USE NOTES: 1,2
 1. Legend and border shall be direct applied black non-reflective sheeting.
 2. Background shall be Type VII, VIII, or IX (prismatic) retroreflective sheeting.

Spacing Factor is 1 unless specified otherwise

LETTER POSITIONS

Letter spacings are to start of next letter

	P	O	W	E	R	S	-				Series/Size Text Length
	3.9	4.4	4.3	5.4	4.1	4.1	3.9	2.1	3.9		C 2000
											28.3
											C 2000
	3.1	4.6	2.2	3.9	3.9	3.1	4.5	4.4	3.4	3.1	29.8

FILENAME: sp08105_powersvilleroad NORTH CAROLINA D.O.T. SIGN DETAIL

SIGN NUMBER: SP08070 BACKG COLOR: Black/White
 TYPE: F COPY COLOR: Black
 QUANTITY: 1
 SIGN WIDTH: 30" HEIGHT: 24"
 TOTAL AREA: 5.2 Sq.Ft.
 BORDER TYPE: FLUSH
 RECESS: 0"
 WIDTH: 0.5"
 RADII: 1.5"
 NO. Z BARS: MAT'L: 0.063" (1.6 mm) ALUMINUM
 LENGTH:

DESIGN BY: R. HENNEIN CHECKED BY:
 PROJECT ID: B-5021 DIV: 6 DATE: Mar 18, 2008

BORDER
 R=1.5"
 TH=0.5"

Spacing Factor is 1 unless specified otherwise

LETTER POSITIONS

Letter spacings are to start of next letter

	3	0	1			Series/Size Text Length
	2.6	10.4	11.4	3	2.6	D
						24.7

FILENAME: SP08070_US301 NORTH CAROLINA D.O.T. SIGN DETAIL

APPROVED: _____ DATE: _____

SEAL

SPECIAL SIGN DESIGN

SCALE: NONE
 DATE: 4/8/08
 DWG. BY: RRH
 DESIGN BY: RRH
 REVIEWED BY: DME

REVISIONS

NO.	DESCRIPTION

CADD FILE