

TIP PROJECT: B-4070

WBS NUMBER: 33433.1.1

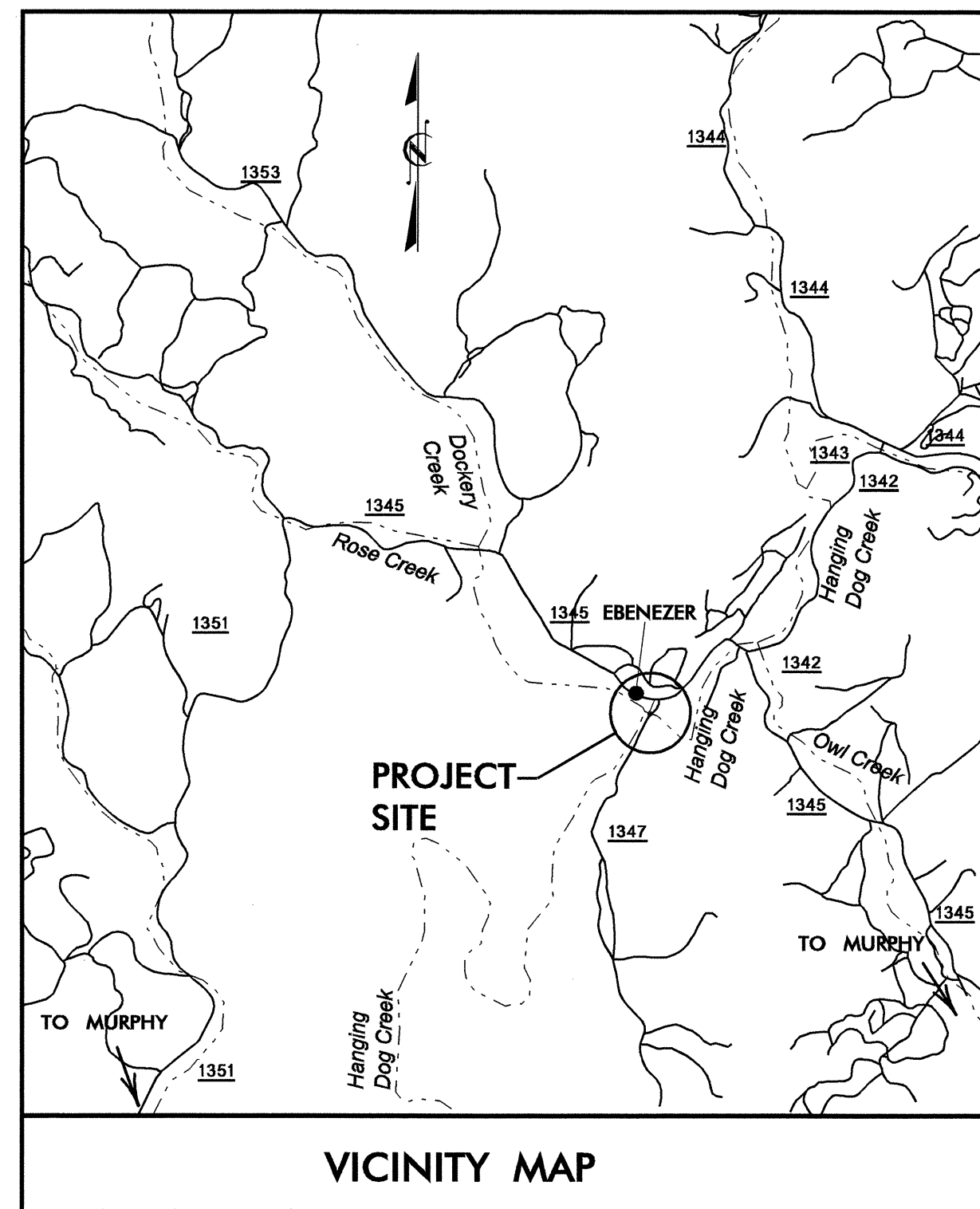
T.I.P. NO.	SHEET NO.
B-4070	UO-1

STATE OF NORTH CAROLINA
DIVISION OF HIGHWAYS

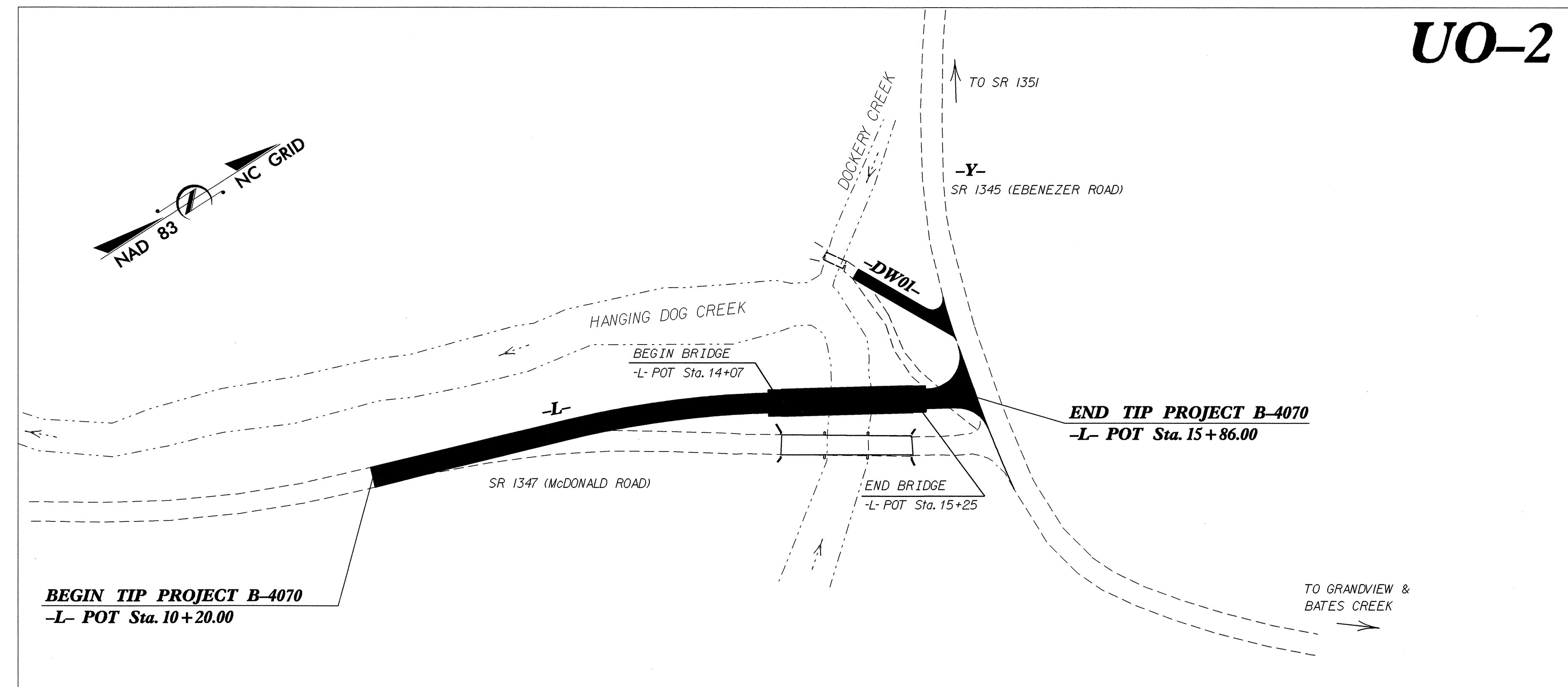
**UTILITIES BY OTHERS PLANS
CHEROKEE COUNTY**

LOCATION: BRIDGE 112 OVER HANGING DOG CREEK ON SR 1347

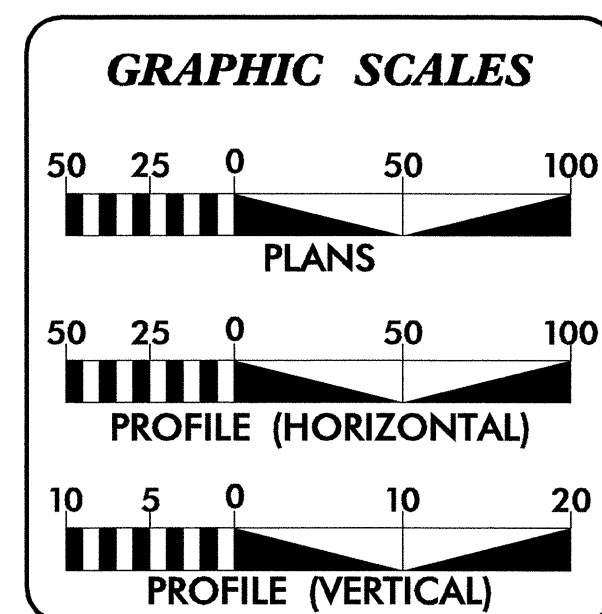
TYPE OF WORK: UTILITY RELOCATION



VICINITY MAP



UO-2



INDEX OF SHEETS	
SHEET NO.	DESCRIPTION
UO-1	TITLE SHEET
UO-2	UTILITIES BY OTHERS PLAN SHEET

UTILITY OWNERS ON PROJECT
(1) BLUE RIDGE MOUNTAIN E.M.C - ELECTRIC
(2) VERIZON - TELEPHONE

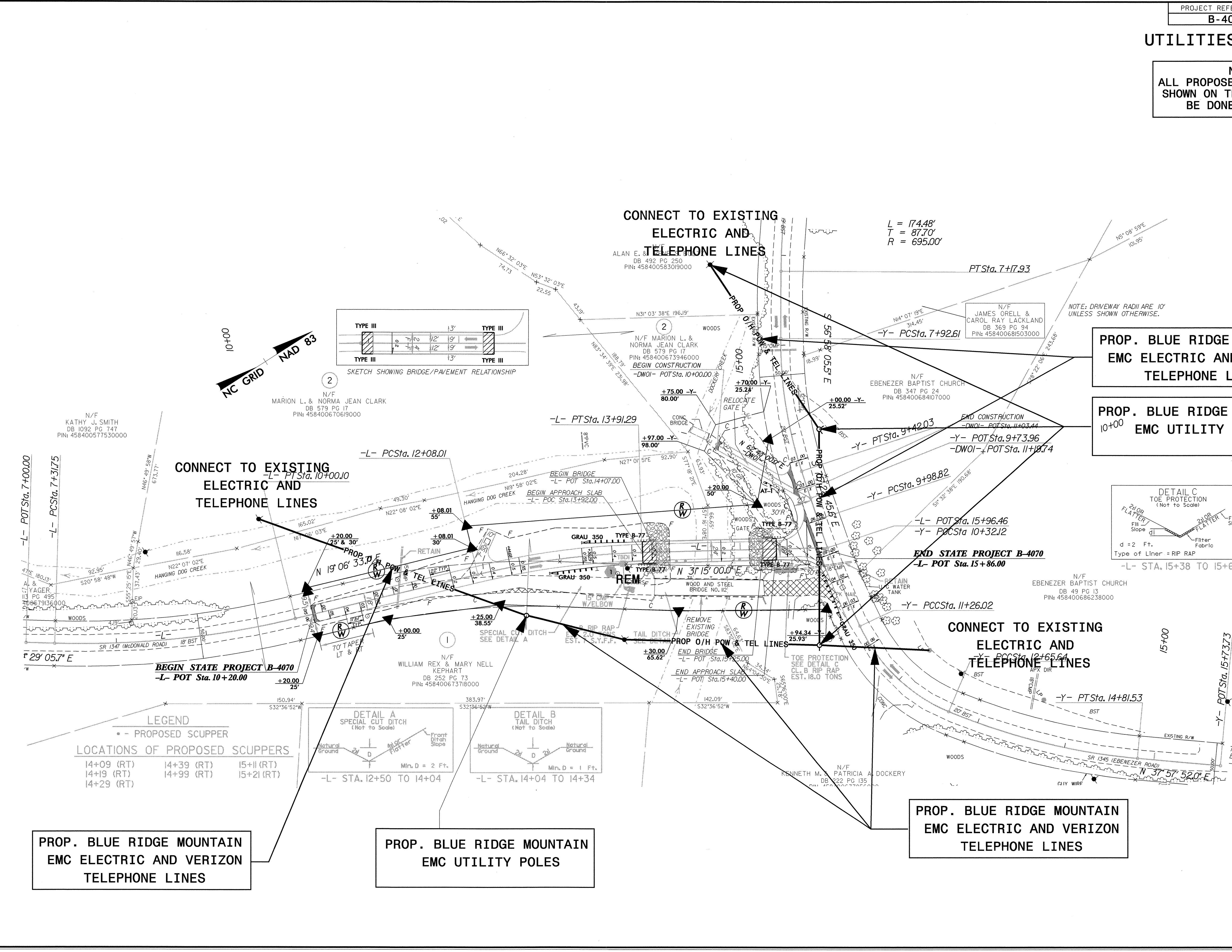
PREPARED IN THE OFFICE OF:
**DIVISION OF HIGHWAYS
PROJECT SERVICES
UTILITY SECTION**

1591 MAIL SERVICES CENTER
RALEIGH NC 27699-1591
PHONE (919) 250-4128
FAX (919) 250-4119

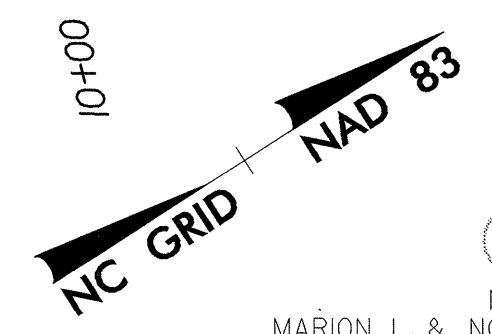
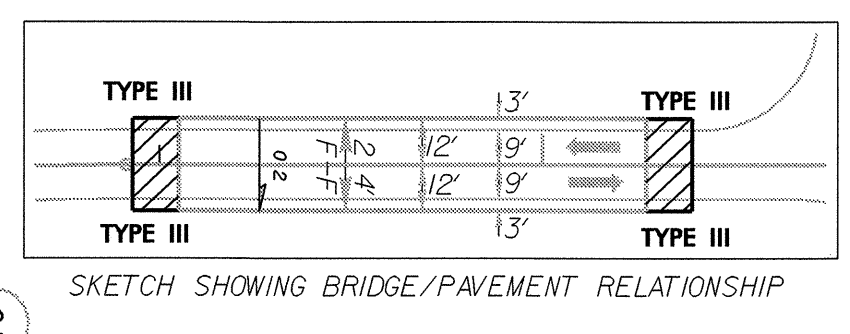
<u>Roger Worthington, P.E.</u>	UTILITIES SECTION ENGINEER
<u>Steve McKee, P.E.</u>	UTILITIES SQUAD LEADER PROJECT ENGINEER
<u>Scott Beard</u>	UTILITIES PROJECT DESIGNER

UTILITIES BY OTHERS

NOTE:
ALL PROPOSED UTILITY WORK
SHOWN ON THIS SHEET WILL
BE DONE BY OTHERS

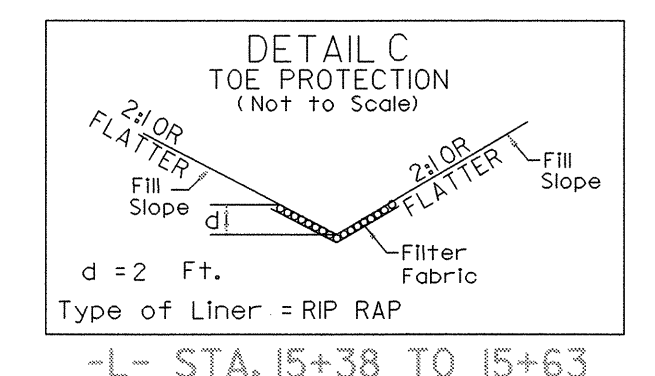


$L = 174.48'$
 $T = 87.70'$
 $R = 695.00'$



PROP. BLUE RIDGE MOUNTAIN
EMC ELECTRIC AND VERIZON
TELEPHONE LINES

PROP. BLUE RIDGE MOUNTAIN
EMC UTILITY POLES

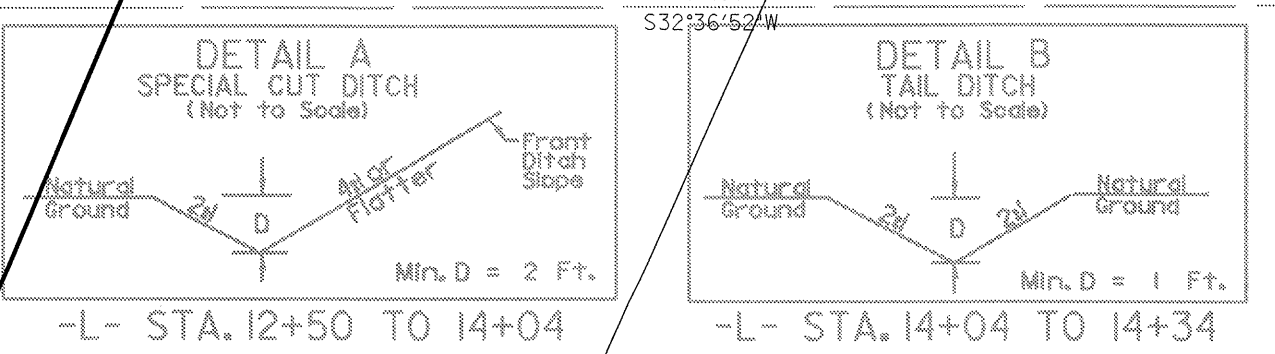


LEGEND

• - PROPOSED SCUPPER

LOCATIONS OF PROPOSED SCUPPERS

14+09 (RT)	14+39 (RT)	15+11 (RT)
14+19 (RT)	14+99 (RT)	15+21 (RT)
14+29 (RT)		



PROP. BLUE RIDGE MOUNTAIN
EMC ELECTRIC AND VERIZON
TELEPHONE LINES

PROP. BLUE RIDGE MOUNTAIN
EMC UTILITY POLES

PROP. BLUE RIDGE MOUNTAIN
EMC ELECTRIC AND VERIZON
TELEPHONE LINES