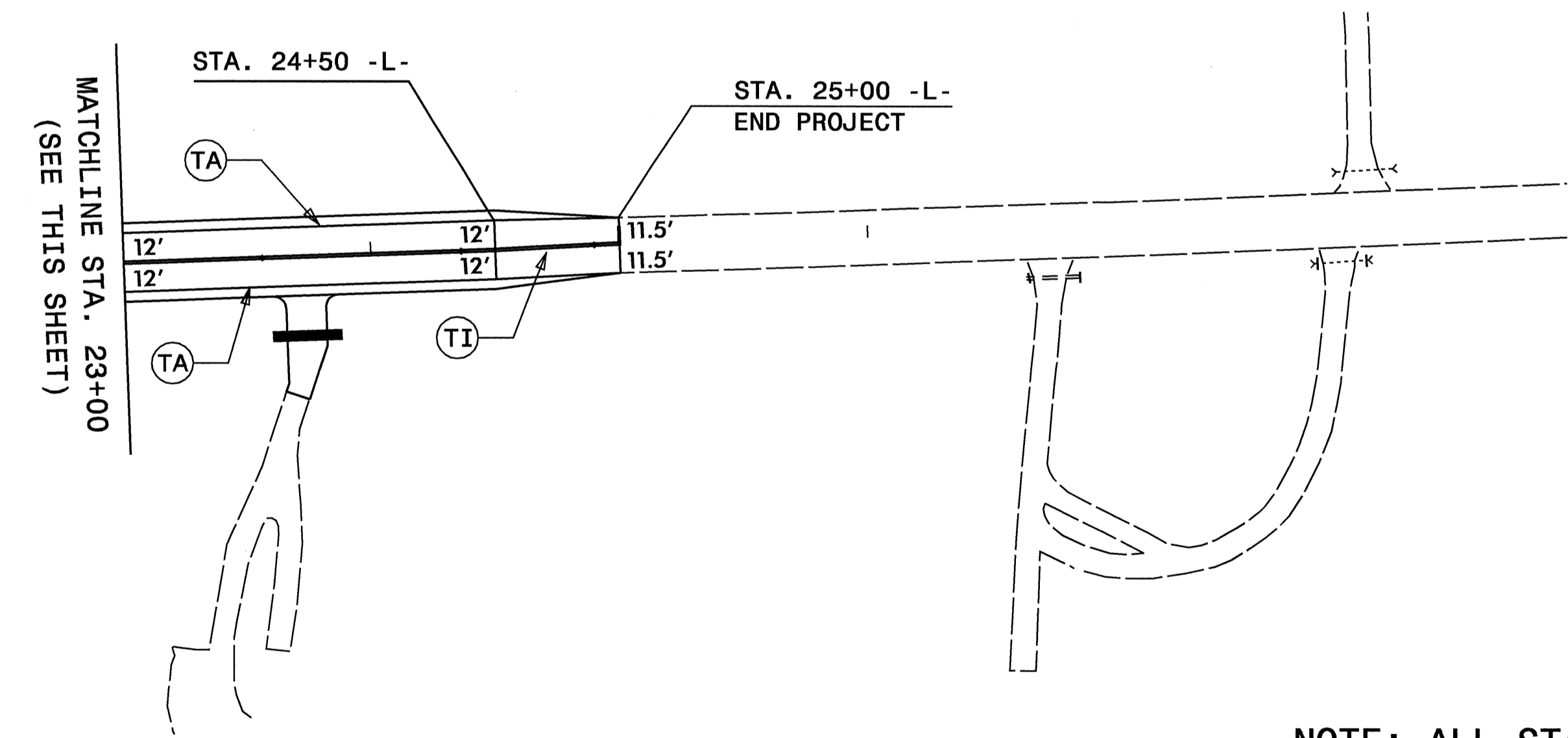


FINAL PAVEMENT MARKING SCHEDULE

THERMOPLASTIC (24", 120 MILS) Standard Glass Beads	
T2	WHITE STOPBAR
THERMOPLASTIC (4", 120 MILS) Standard Glass Beads	
TD	2 FT. WHITE MINISKIP
TE	WHITE SOLID LANE LINE
TI	YELLOW DOUBLE CENTER
THERMOPLASTIC (4", 90 MILS) Standard Glass Beads	
TA	WHITE EDGELINE
THERMOPLASTIC (8", 90 MILS) Standard Glass Beads	
TT	YELLOW DIAGONAL
THERMOPLASTIC PAVEMENT MARKING SYMBOLS (90 MILS) STANDARD GLASS BEADS	
UA	LEFT TURN ARROW
UC	STRAIGHT ARROW
UE	COMBO. STRAIGHT/RIGHT ARROW
PERMANENT RAISED PAVEMENT MARKERS	
• MA	YELLOW/YELLOW
• MB	CRYSTAL/RED



NOTE: ALL STATIONS SHOWN +/-

APPROVED: _____ DATE: _____	PAVEMENT MARKING PLAN	
SCALE: NONE		REVISIONS
DATE: _____		
DESIGN BY: LKD		
REVIEWED BY: JWW		

05-NOV-2007 14:07
 \\D:\cfe\proj\proj\projects-b\3528\traffic\control\top\b3528-rc-top.pvmt.01.dgn
 lbradison AT WZ10231759