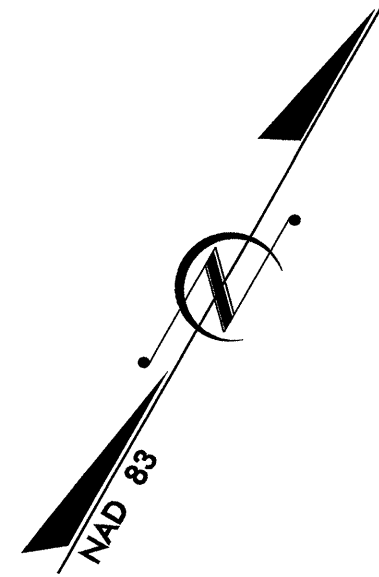


TIP PROJECT: B-4317



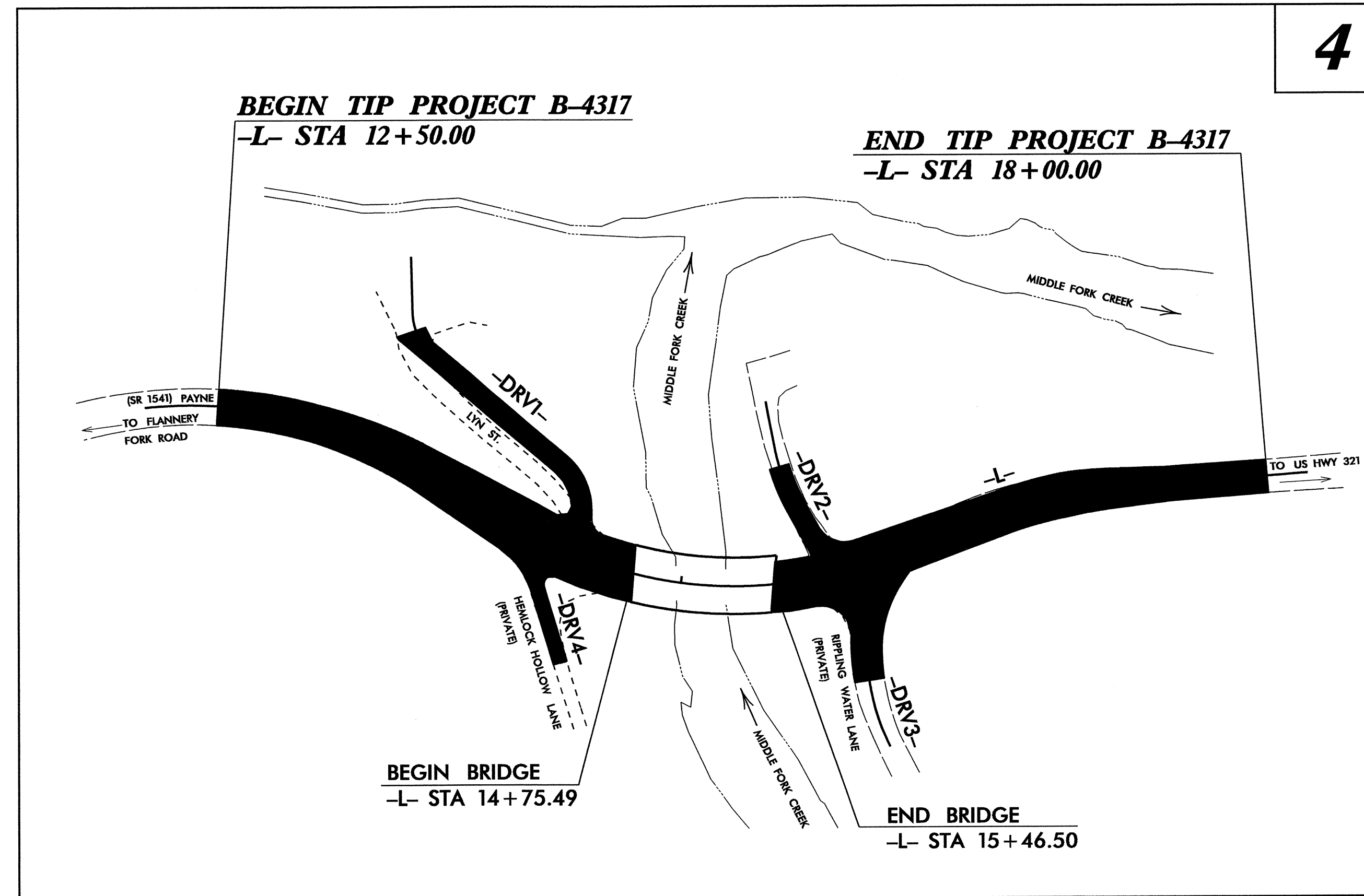
STATE OF NORTH CAROLINA
DIVISION OF HIGHWAYS

PLAN FOR PROPOSED
HIGHWAY EROSION CONTROL

WATAUGA COUNTY

**LOCATION: BRIDGE NO. 16 OVER MIDDLE FORK CREEK
ON SR 1541 (PAYNE BRANCH ROAD)**

TYPE OF WORK: GRADING, PAVEMENT, DRAINAGE AND STRUCTURE



STATE	STATE PROJECT REFERENCE NO.	SHEET NO.	TOTAL SHEETS
N.C.	B-4317	EC-1	
STATE PROJ. NO.	F.A. PROJ. NO.	DESCRIPTION	

EROSION AND SEDIMENT CONTROL MEASURES

Std. #	Description	Symbol
1630.03	Streambank Reforestation	
1630.05	Temporary Silt Ditch	
1605.01	Temporary Diversion	
1605.01	Temporary Silt Fence	
1606.01	Special Sediment Control Fence	
1622.01	Temporary Berms and Slope Drains	
1630.01	Riser Basin	
1630.02	Silt Basin Type B	
1633.01	Temporary Rock Silt Check Type-A	
1633.01	Temporary Rock Silt Check Type-B	
1634.01	Temporary Rock Sediment Dam Type-A	
1634.02	Temporary Rock Sediment Dam Type-B	
1635.01	Rock Pipe Inlet Sediment Trap Type-A	
1635.02	Rock Pipe Inlet Sediment Trap Type-B	
1630.04	Stilling Basin	
1632.01	Rock Inlet Sediment Trap Type A	
1632.02	Rock Inlet Sediment Trap Type B	
1632.03	Rock Inlet Sediment Trap Type C	
1632.01	Skimmer Basin	
1632.02	Tiered Skimmer Basin	
1632.03	Infiltration Basin	

THIS PROJECT CONTAINS EROSION CONTROL PLANS FOR CLEARING AND GRUBBING PHASE OF CONSTRUCTION.

ENVIRONMENTALLY SENSITIVE AREA(S) EXIST ON THIS PROJECT
Refer To E. C. Special Provisions for Special Considerations.

THIS PROJECT HAS BEEN DESIGNED TO SENSITIVE WATERSHED STANDARDS.

GRAPHIC SCALE

0

PLANS

0

PROFILE (HORIZONTAL)

0

PROFILE (VERTICAL)

ROADSIDE ENVIRONMENTAL UNIT
DIVISION OF HIGHWAYS
STATE OF NORTH CAROLINA

Prepared in the Office of:
ROADSIDE ENVIRONMENTAL UNIT
1 South Wilmington St.
Raleigh, NC 27611

2006 STANDARD SPECIFICATIONS

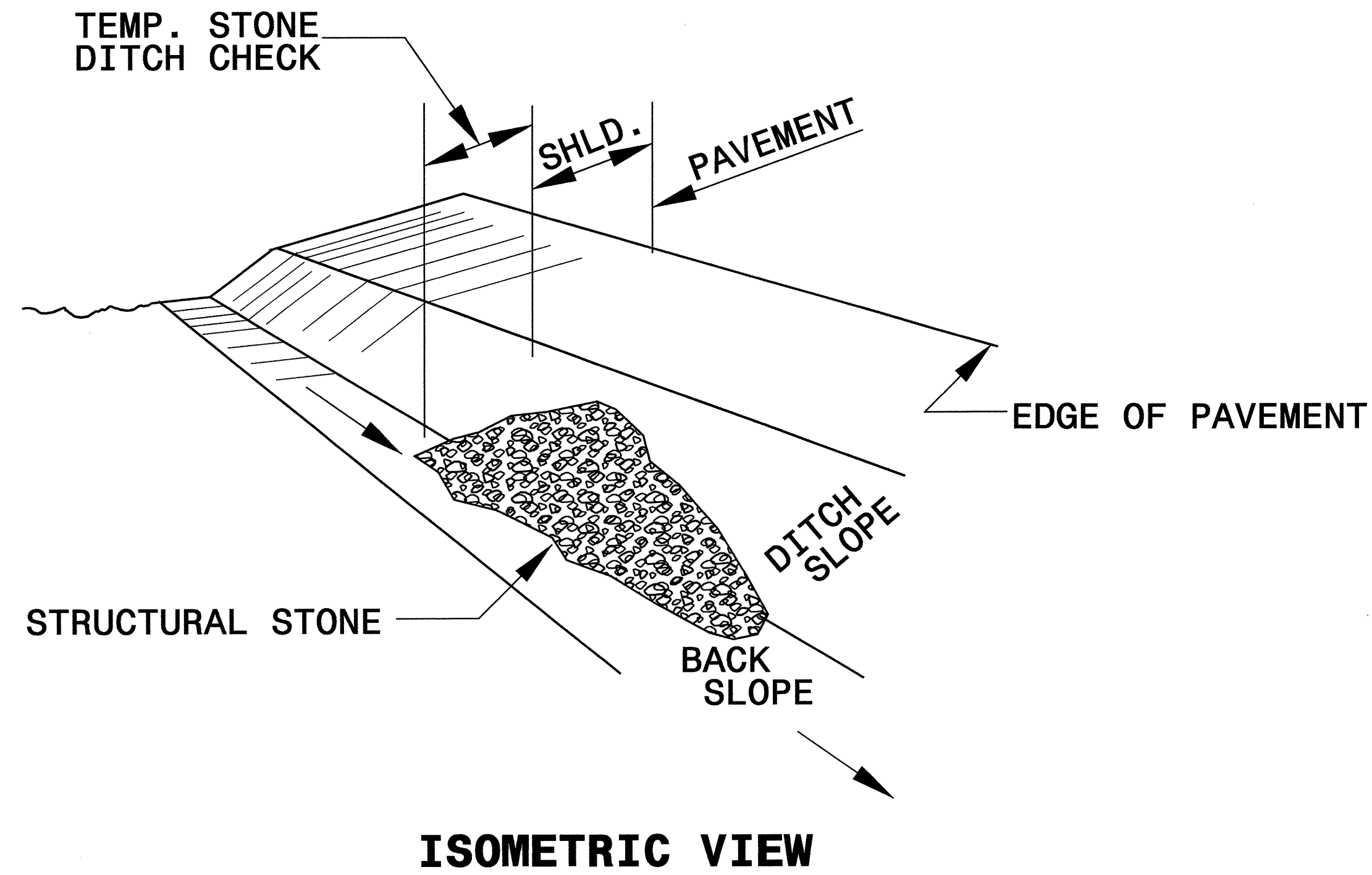
Roadway Standard Drawings

The following roadway english standards as appear in "Roadway Standard Drawings"- Roadway Design Unit - N. C. Department of Transportation - Raleigh, N. C., dated July 18, 2006 and the latest revision thereto are applicable to this project and by reference hereby are considered a part of these plans.

- 1605.01 Temporary Silt Fence
- 1607.01 Gravel Construction Entrance
- 1622.01 Temporary Berms and Slope Drains
- 1630.03 Temporary Silt Ditch
- 1632.03 Rock Inlet Sediment Trap Type C
- 1633.01 Temporary Rock Silt Check Type A
- 1635.02 Rock Pipe Inlet Sediment Trap Type B

PROJECT REFERENCE NO. <i>B-4317</i>	SHEET NO. <i>EC-2</i>
RW SHEET NO.	
ROADWAY DESIGN ENGINEER	HYDRAULICS ENGINEER

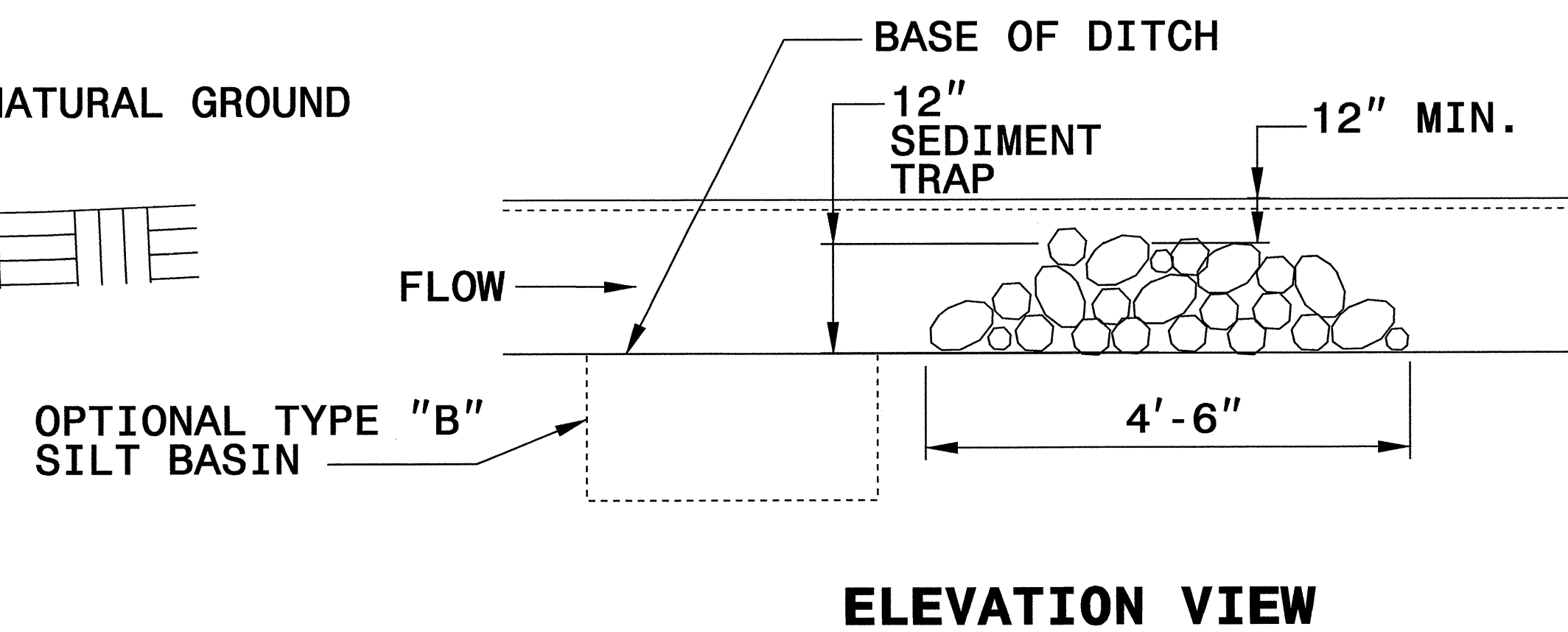
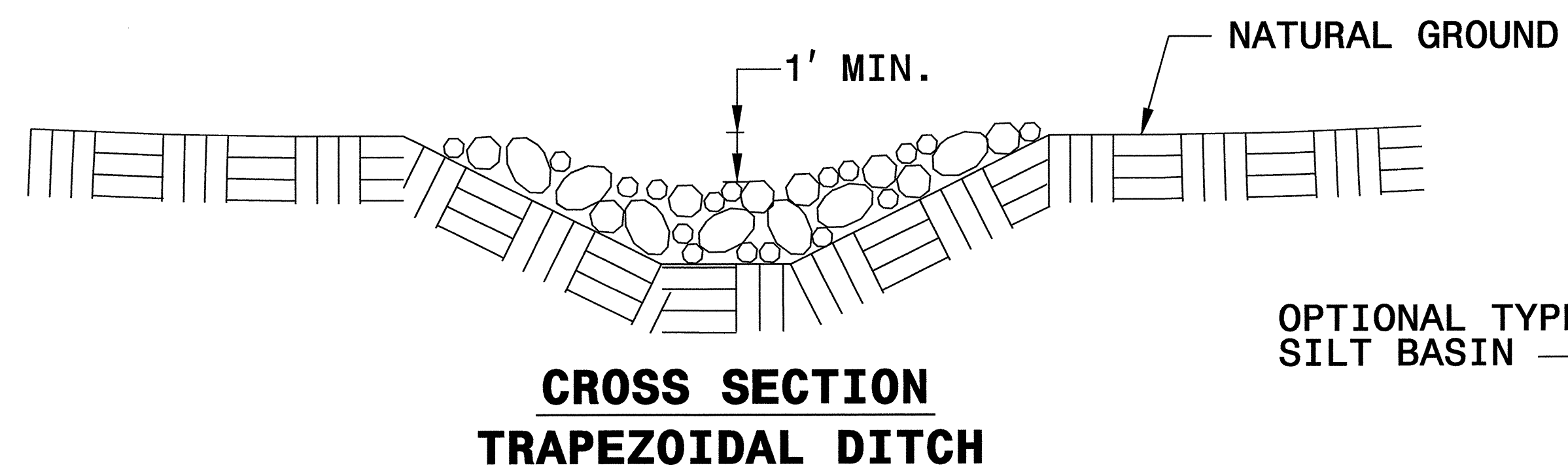
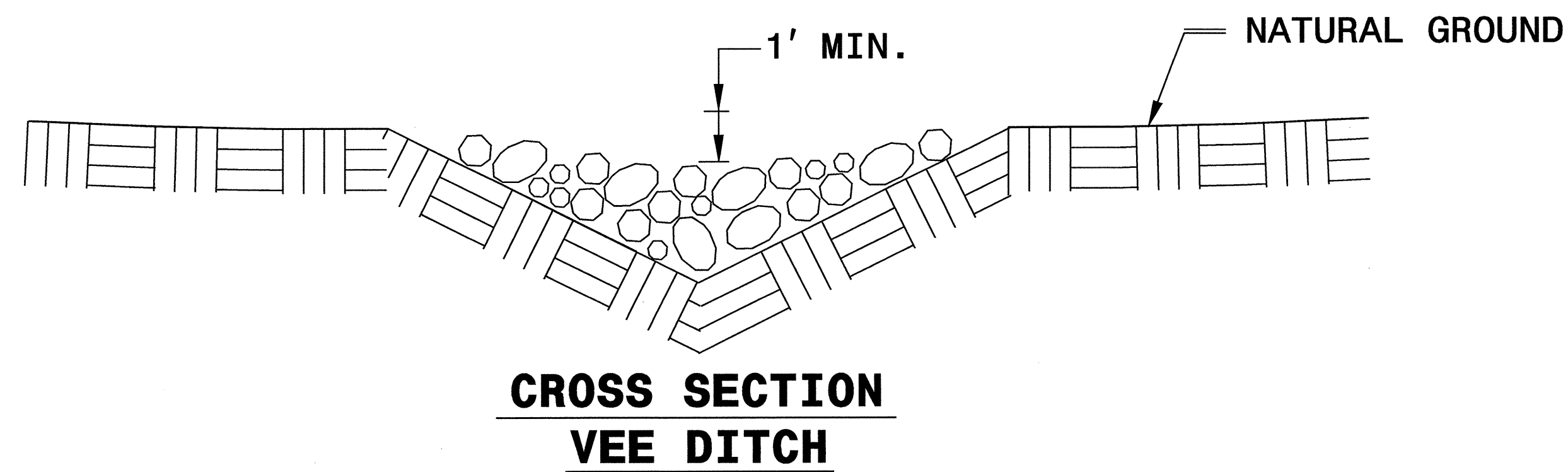
TEMPORARY ROCK SILT CHECK TYPE 'B' DETAIL



NOTES:

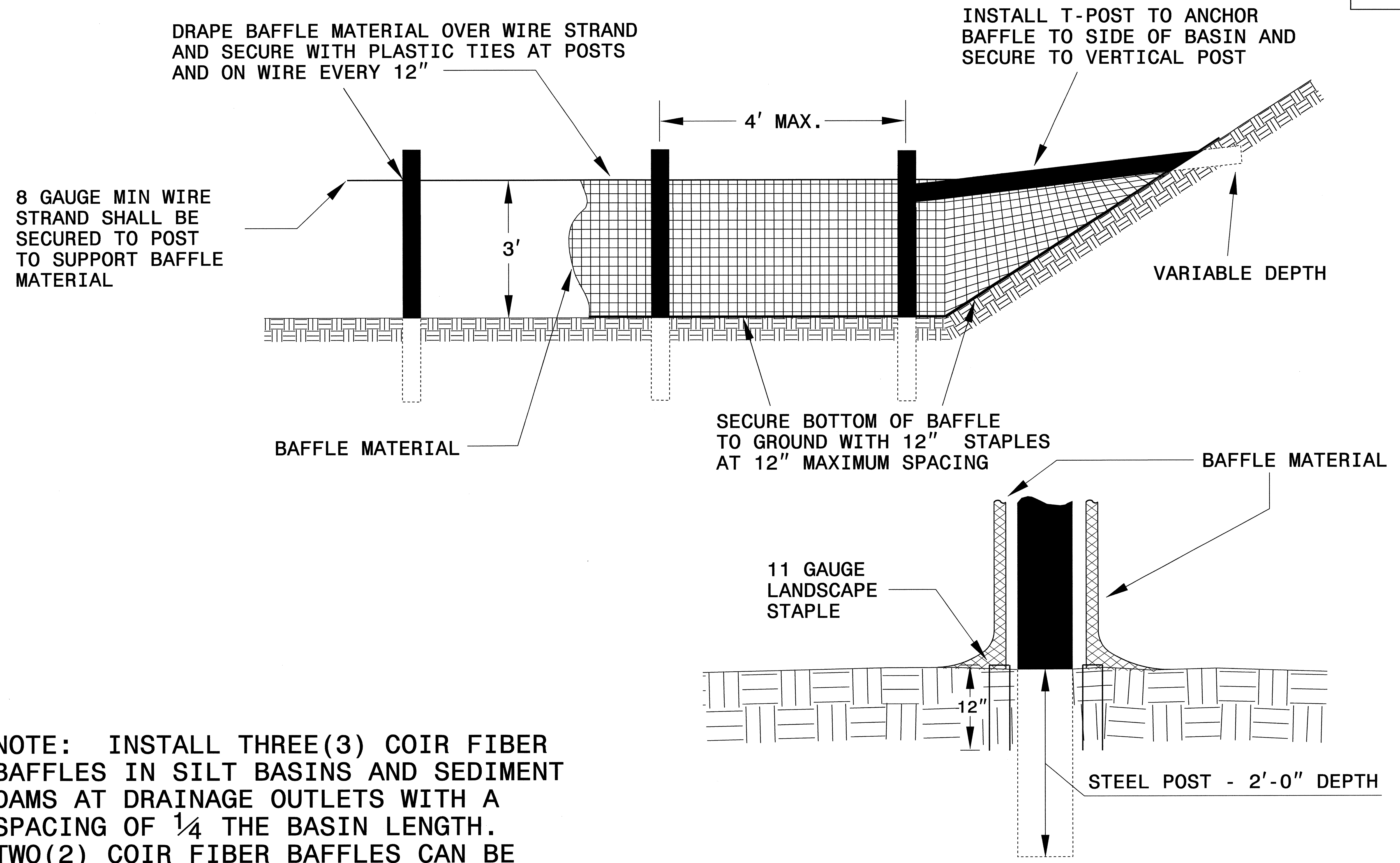
USE CLASS 'B' EROSION CONTROL STONE FOR STRUCTURAL STONE.

THE ENGINEER MAY DIRECT THE OPTION OF CLASS "A" STONE FOR SITES HAVING LESS THAN ONE (1) ACRE DRAINAGE AREA AND A DITCH GRADE LESS THAN 3%.



PROJECT REFERENCE NO. B-4317	SHEET NO. EC-2A
RW SHEET NO.	
ROADWAY DESIGN ENGINEER	HYDRAULICS ENGINEER

COIR FIBER BAFFLE DETAIL

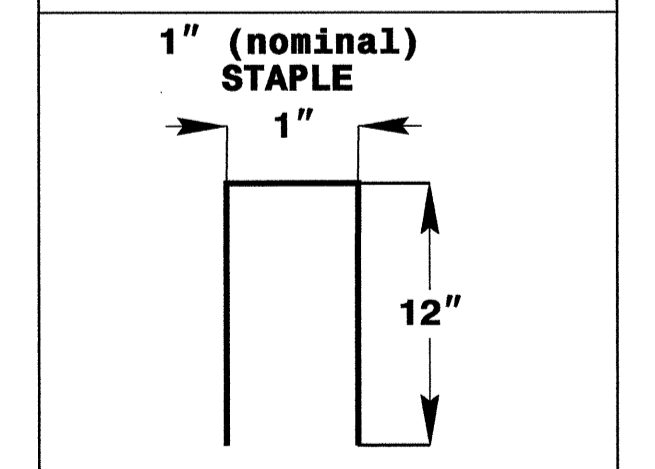
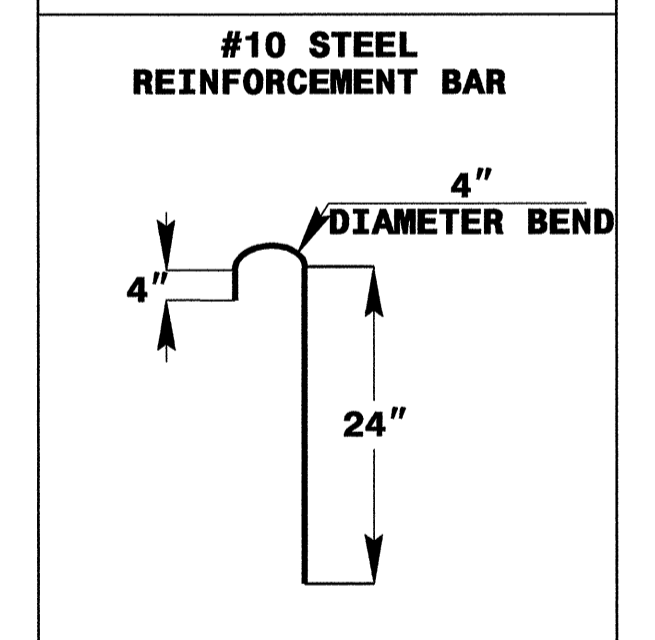
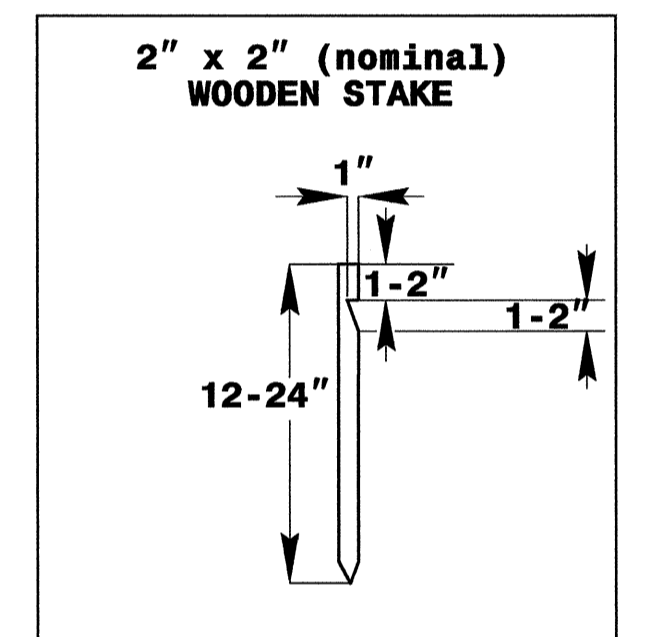
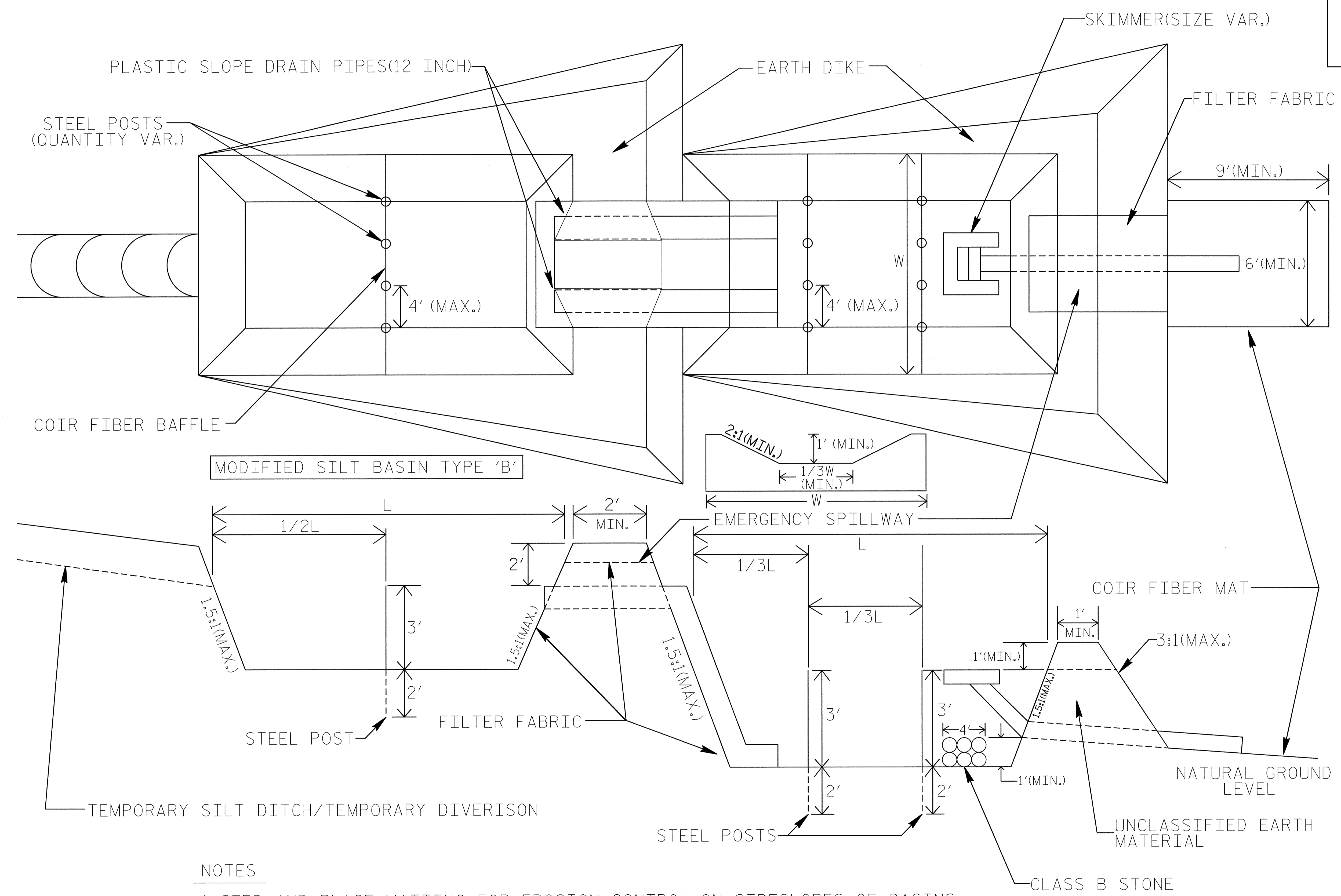


NOTE: INSTALL THREE (3) COIR FIBER BAFFLES IN SILT BASINS AND SEDIMENT DAMS AT DRAINAGE OUTLETS WITH A SPACING OF $\frac{1}{4}$ THE BASIN LENGTH. TWO (2) COIR FIBER BAFFLES CAN BE INSTALLED IN SILT BASINS AND DAMS LESS THAN 20 FT. IN LENGTH WITH A SPACING OF $\frac{1}{3}$ THE BASIN LENGTH.

BAFFLE MATERIAL SHALL BE SECURED TO THE BOTTOM AND SIDES OF BASIN USING 12" LANDSCAPE STAPLES

TIERED SKIMMER BASIN DETAIL

PROJECT REFERENCE NO. <i>B-4317</i>	SHEET NO. <i>EC-2B</i>
RW SHEET NO.	
ROADWAY DESIGN ENGINEER	HYDRAULICS ENGINEER

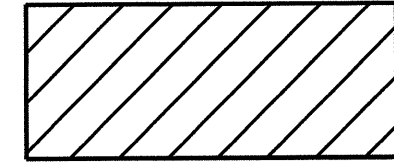


COIR FIBER MAT ANCHOR OPTIONS

- NOTES**
1. SEED AND PLACE MATTING FOR EROSION CONTROL ON SIDESLOPES OF BASINS.
 2. LIMIT HEIGHT OF EARTH DIKES TO 5 FT.
 3. ADDITIONAL MODIFIED SILT BASINS TYPE 'B' MAY BE NEEDED DEPENDING ON SLOPE.

8/17/99

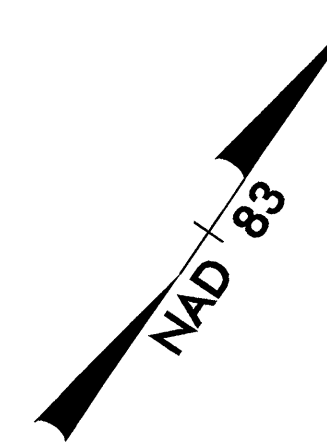
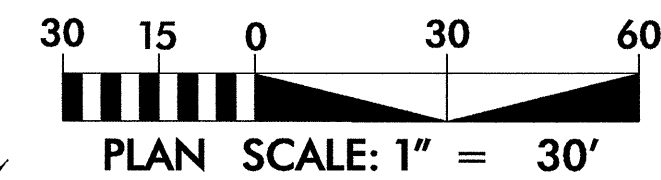
NOTE:
UTILIZE TIERED SKIMMER BASIN AS STILLING
BASIN WHERE APPLICABLE.



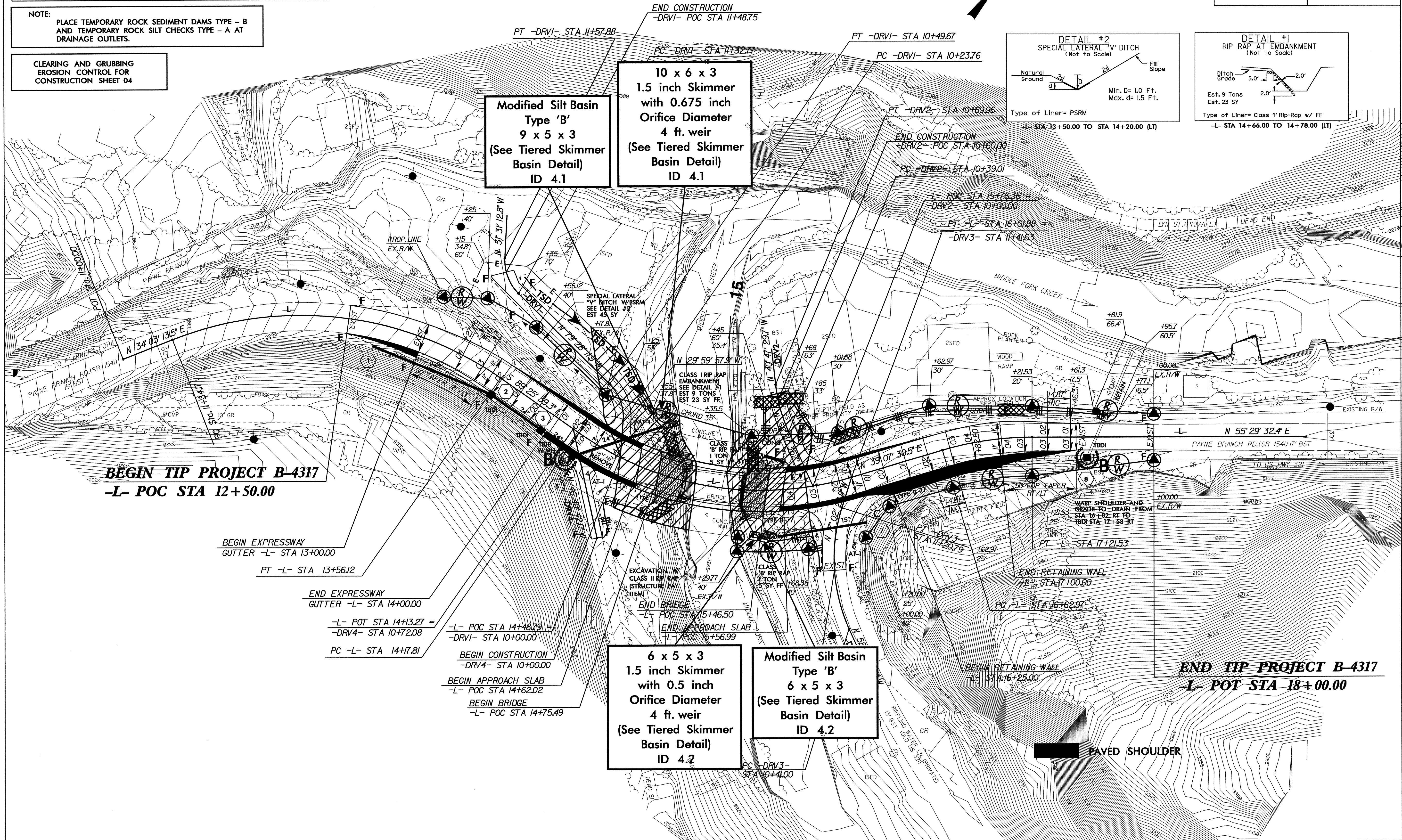
ENVIRONMENTALLY SENSITIVE AREA
SEE PROJECT SPECIAL PROVISIONS

NOTE:
PLACE TEMPORARY ROCK SEDIMENT DAMS TYPE - B
AND TEMPORARY ROCK SILT CHECKS TYPE - A AT
DRAINAGE OUTLETS.

CLEARING AND GRUBBING
EROSION CONTROL FOR
CONSTRUCTION SHEET 04



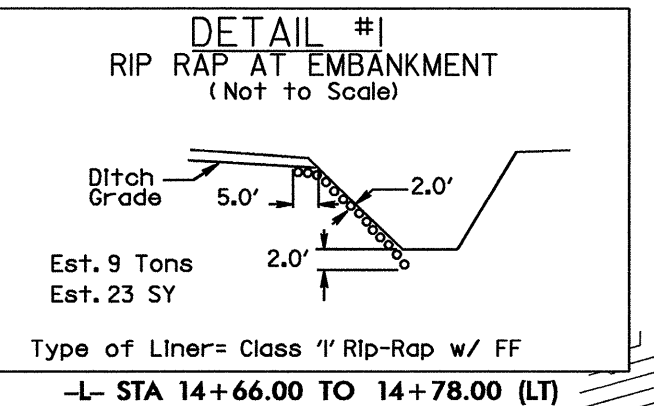
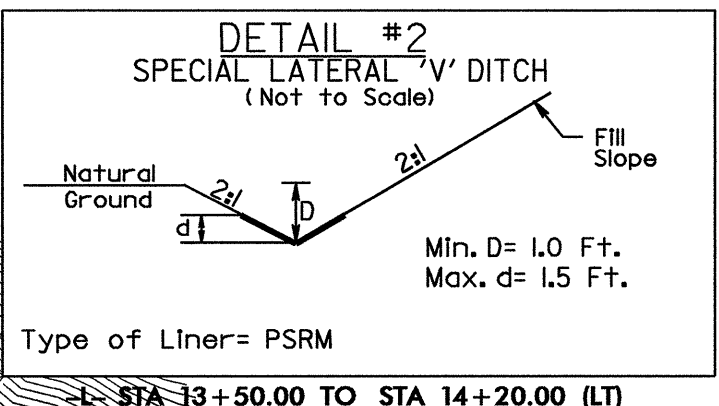
PROJECT REFERENCE NO. B-4317	SHEET NO. EC-03/CONST.04
RW SHEET NO. ROADWAY DESIGN ENGINEER	HYDRAULICS ENGINEER



10 x 6 x 3
1.5 inch Skimmer
with 0.675 inch
Orifice Diameter
4 ft. weir
(See Tiered Skimmer
Basin Detail)
ID 4.1

6 x 5 x 3
1.5 inch Skimmer
with 0.5 inch
Orifice Diameter
4 ft. weir
(See Tiered Skimmer
Basin Detail)
ID 4.2

Modified Silt Basin
Type 'B'
6 x 5 x 3
(See Tiered Skimmer
Basin Detail)
ID 4.2



BEGIN TIP PROJECT B-4317
-L- POC STA 12+50.00

BEGIN EXPRESSWAY
GUTTER -L- STA 13+00.00

PT -L- STA 13+56.12

END EXPRESSWAY
GUTTER -L- STA 14+00.00

-L- POT STA 14+13.27 =
-DRV4- STA 10+72.08

PC -L- STA 14+17.81

BEGIN CONSTRUCTION
-DRV4- STA 10+00.00

BEGIN APPROACH SLAB
-L- POC STA 14+62.02

BEGIN BRIDGE
-L- POC STA 14+75.49

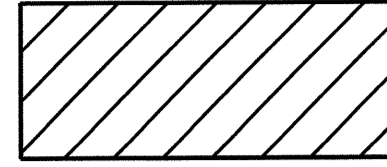
BEGIN RETAINING WALL
-L- STA 16+25.00

END RETAINING WALL
-L- STA 17+00.00

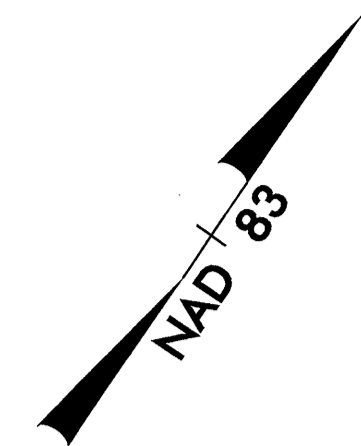
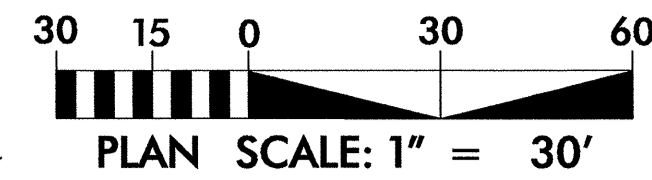
END TIP PROJECT B-4317
-L- POT STA 18+00.00

9/17/99

NOTE:
UTILIZE TIERED SKIMMER BASIN AS STILLING
BASIN WHERE APPLICABLE.



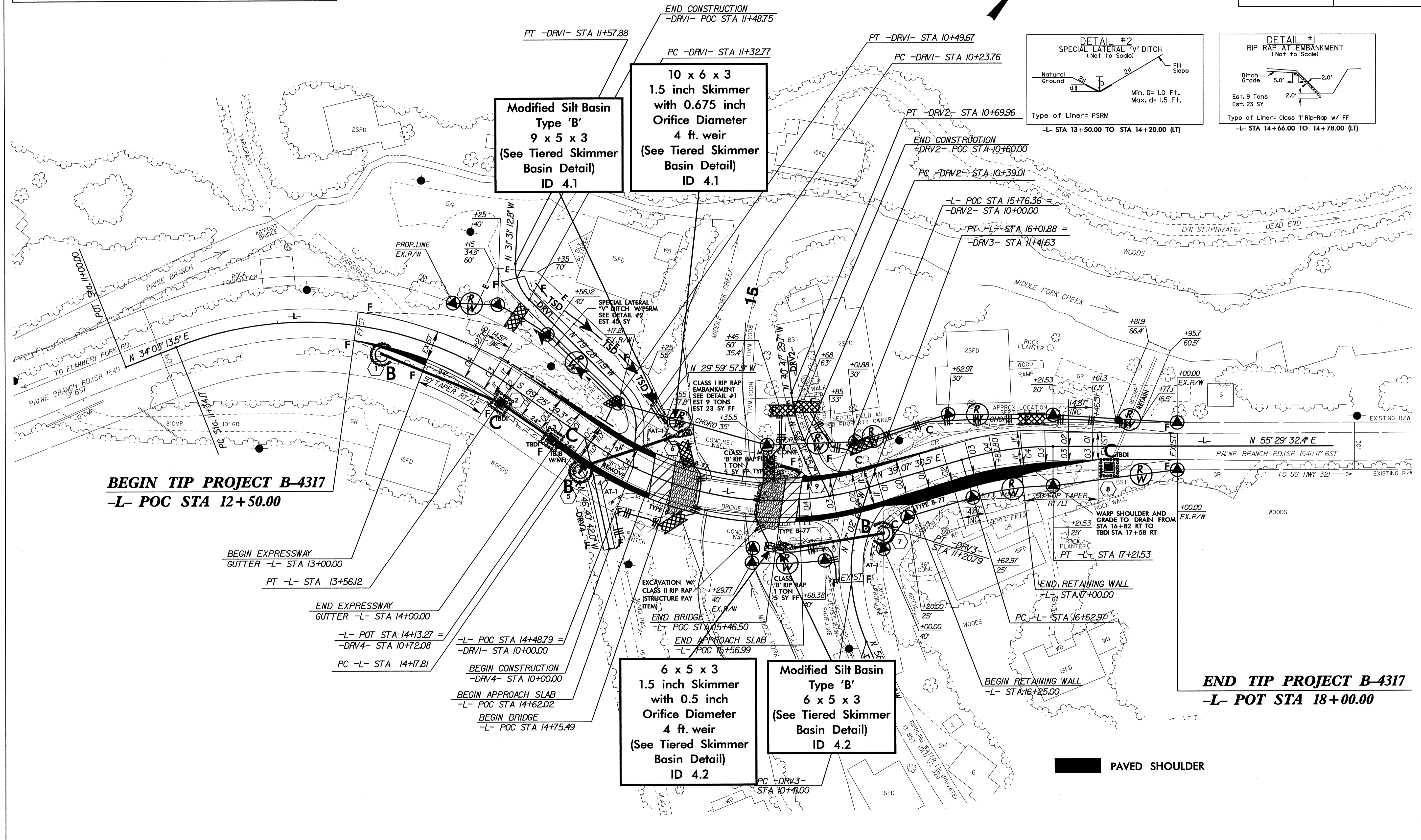
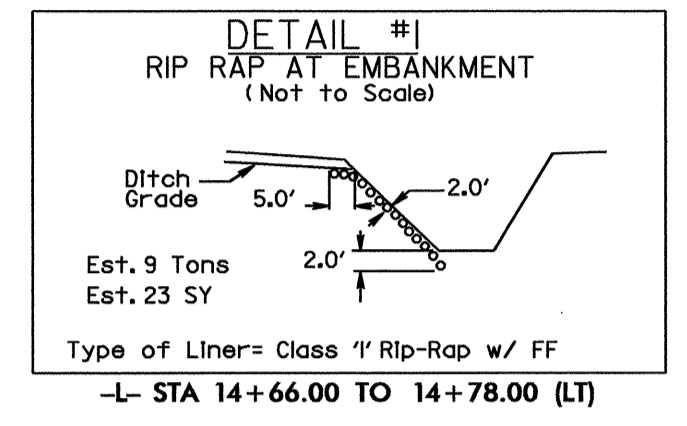
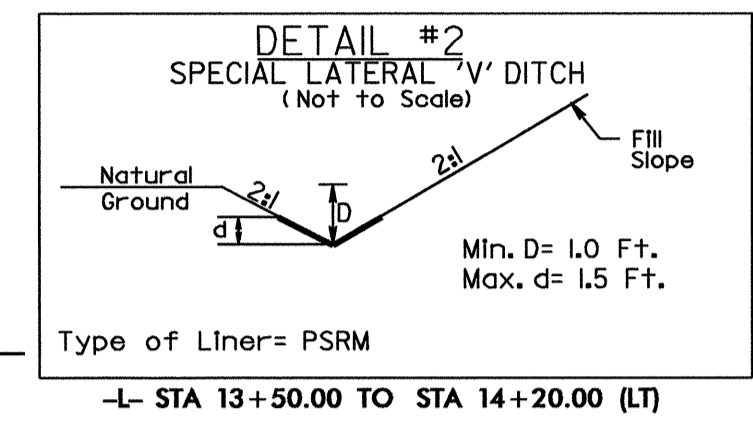
ENVIRONMENTALLY SENSITIVE AREA
SEE PROJECT SPECIAL PROVISIONS



PROJECT REFERENCE NO. B-4317	SHEET NO. EC-04/CONST.04
RW SHEET NO. ROADWAY DESIGN ENGINEER	HYDRAULICS ENGINEER

**Modified Silt Basin
Type 'B'
9 x 5 x 3
(See Tiered Skimmer
Basin Detail)
ID 4.1**

**10 x 6 x 3
1.5 inch Skimmer
with 0.675 inch
Orifice Diameter
4 ft. weir
(See Tiered Skimmer
Basin Detail)
ID 4.1**



**BEGIN TIP PROJECT B-4317
-L- POC STA 12+50.00**

**BEGIN EXPRESSWAY
GUTTER -L- STA 13+00.00**

PT -L- STA 13+56.12

**END EXPRESSWAY
GUTTER -L- STA 14+00.00**

-L- POT STA 14+13.27 =
-DRV4- STA 10+72.08

PC -L- STA 14+17.81

**BEGIN CONSTRUCTION
-DRV4- STA 10+00.00**

**BEGIN APPROACH SLAB
-L- POC STA 14+62.02**

**BEGIN BRIDGE
-L- POC STA 14+75.49**

**6 x 5 x 3
1.5 inch Skimmer
with 0.5 inch
Orifice Diameter
4 ft. weir
(See Tiered Skimmer
Basin Detail)
ID 4.2**

**Modified Silt Basin
Type 'B'
6 x 5 x 3
(See Tiered Skimmer
Basin Detail)
ID 4.2**

**BEGIN RETAINING WALL
-L- STA 16+25.00**

**END TIP PROJECT B-4317
-L- POT STA 18+00.00**

PAVED SHOULDER