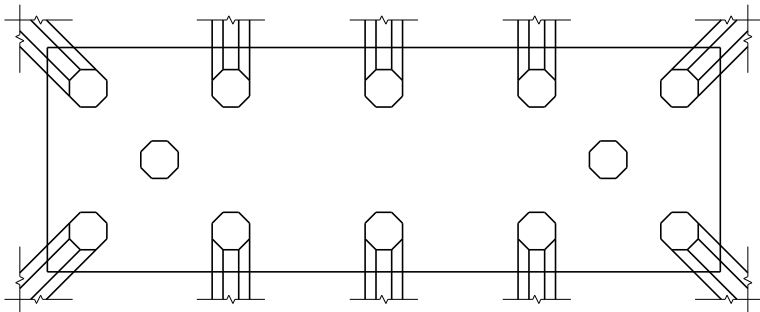
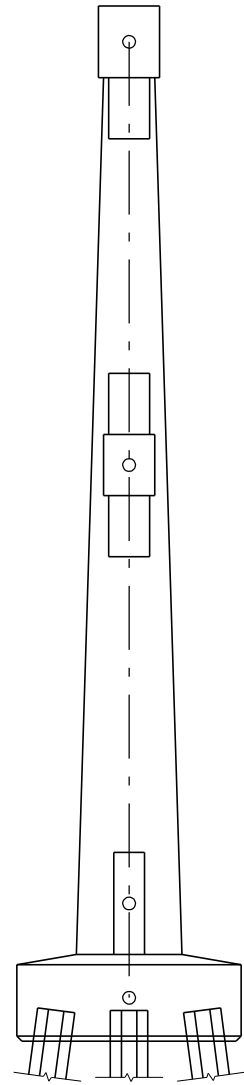
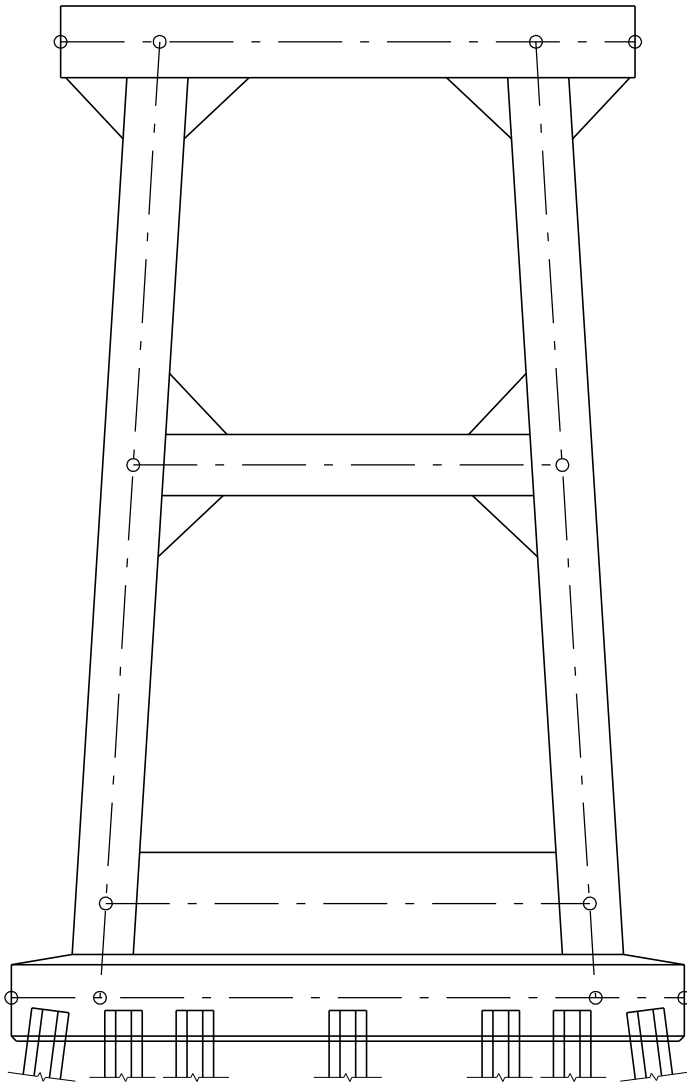
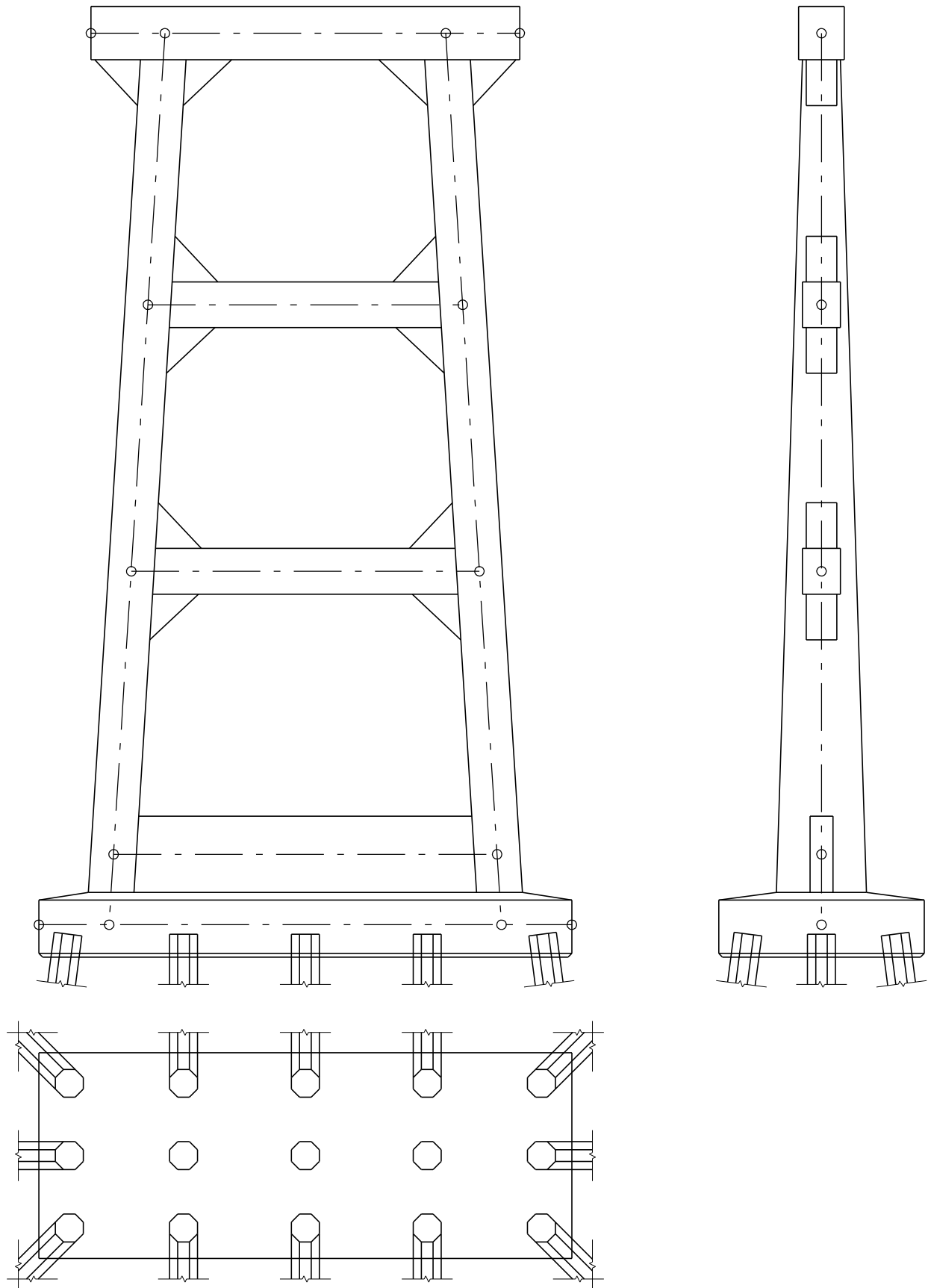


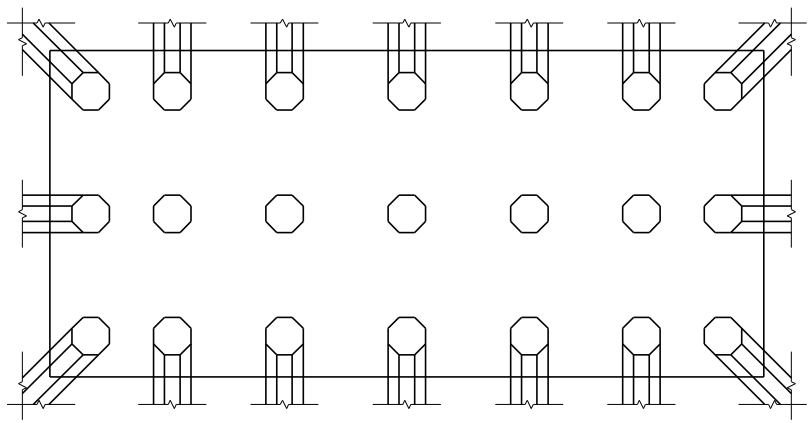
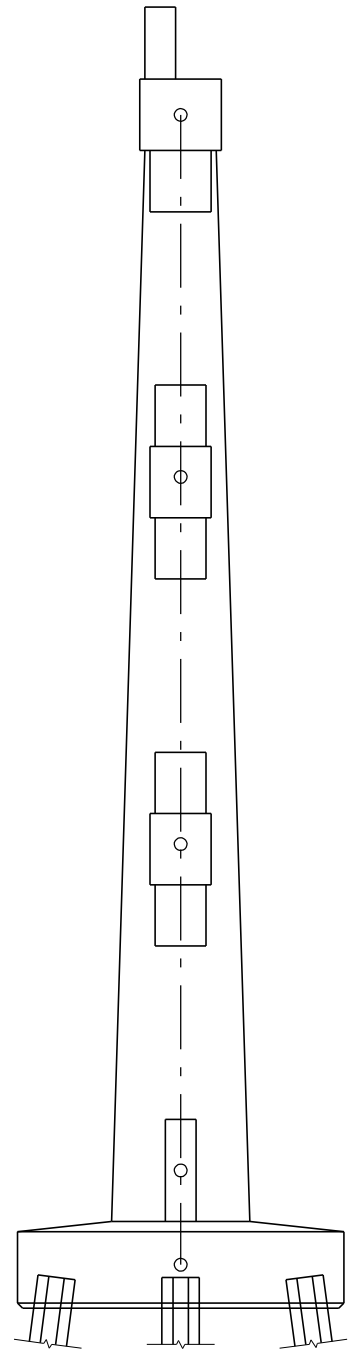
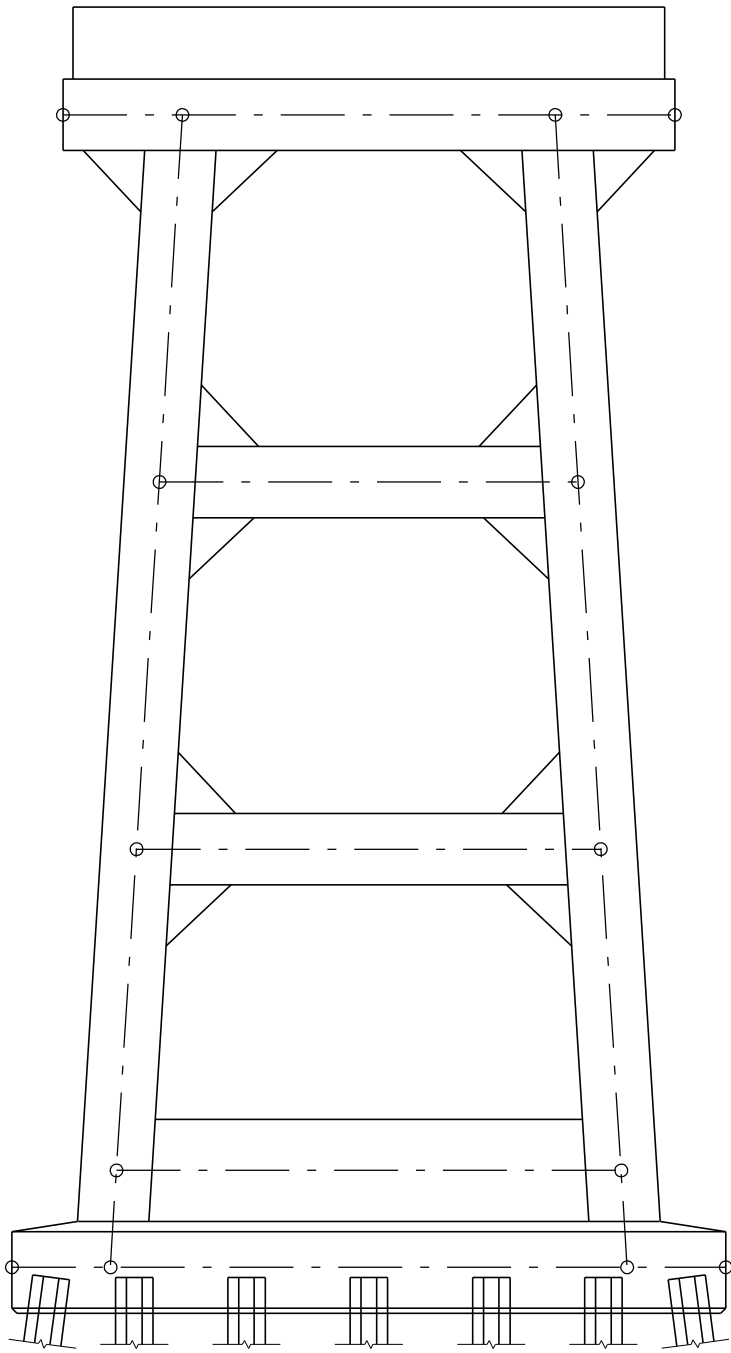
**BENT 129  
NO STRUT  
CORED SLAB - PRESTRESSED GIRDER**



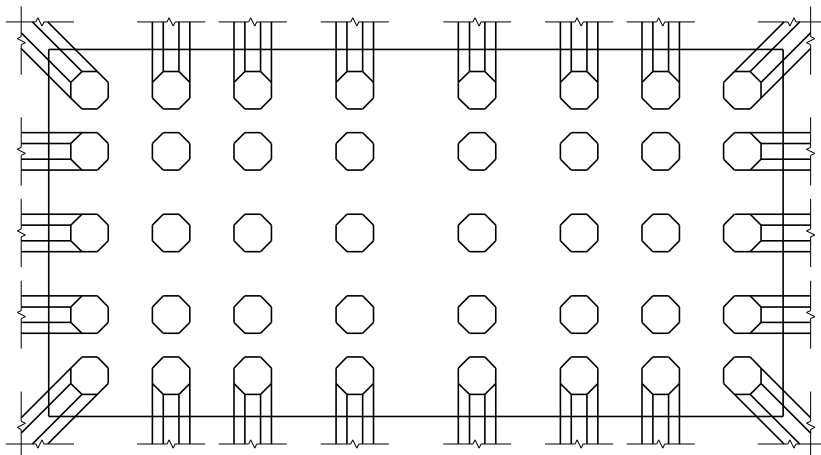
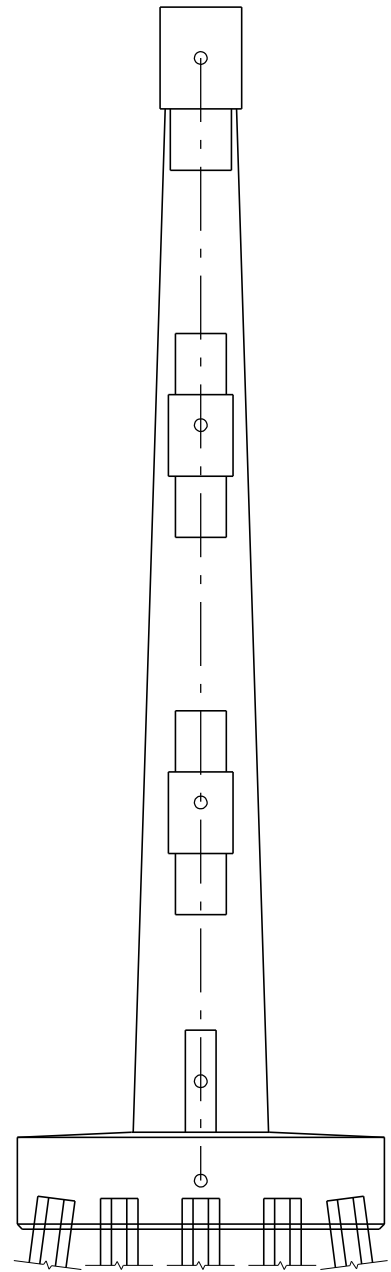
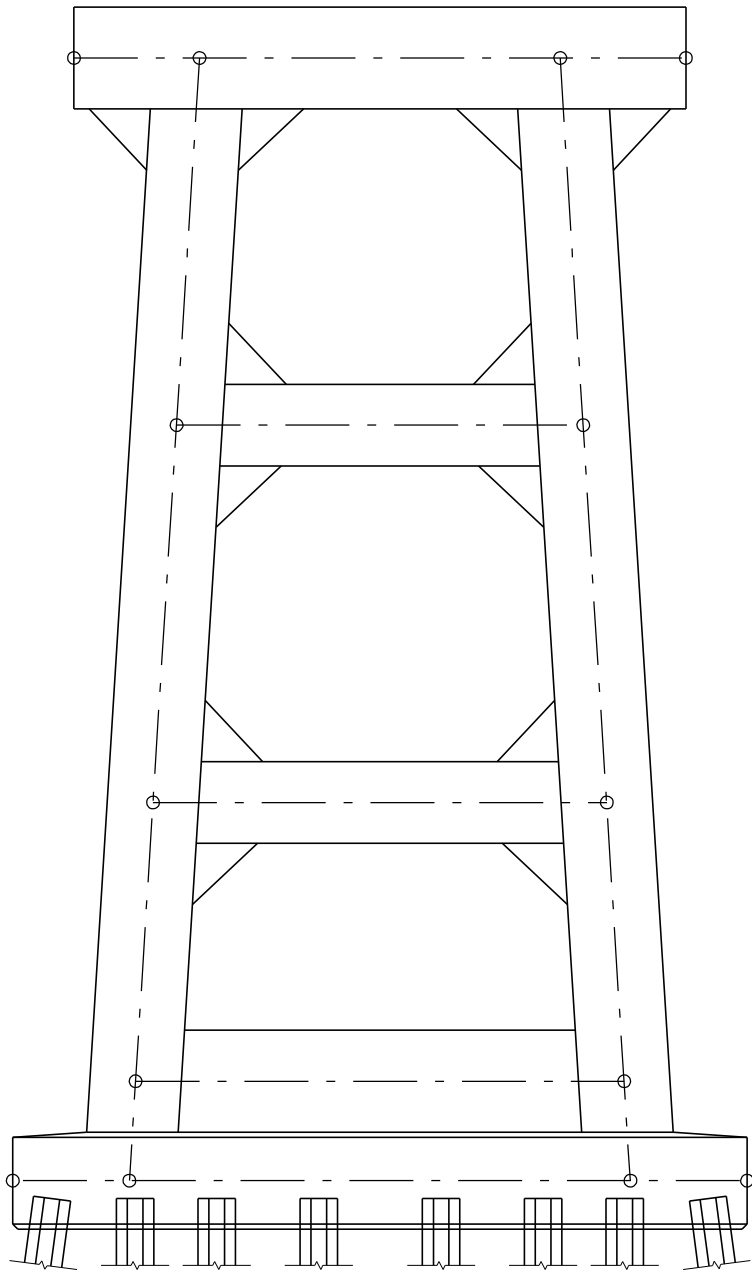
**BENT 137  
SINGLE STRUT  
PRESTRESSED GIRDER - PRESTRESSED GIRDER**



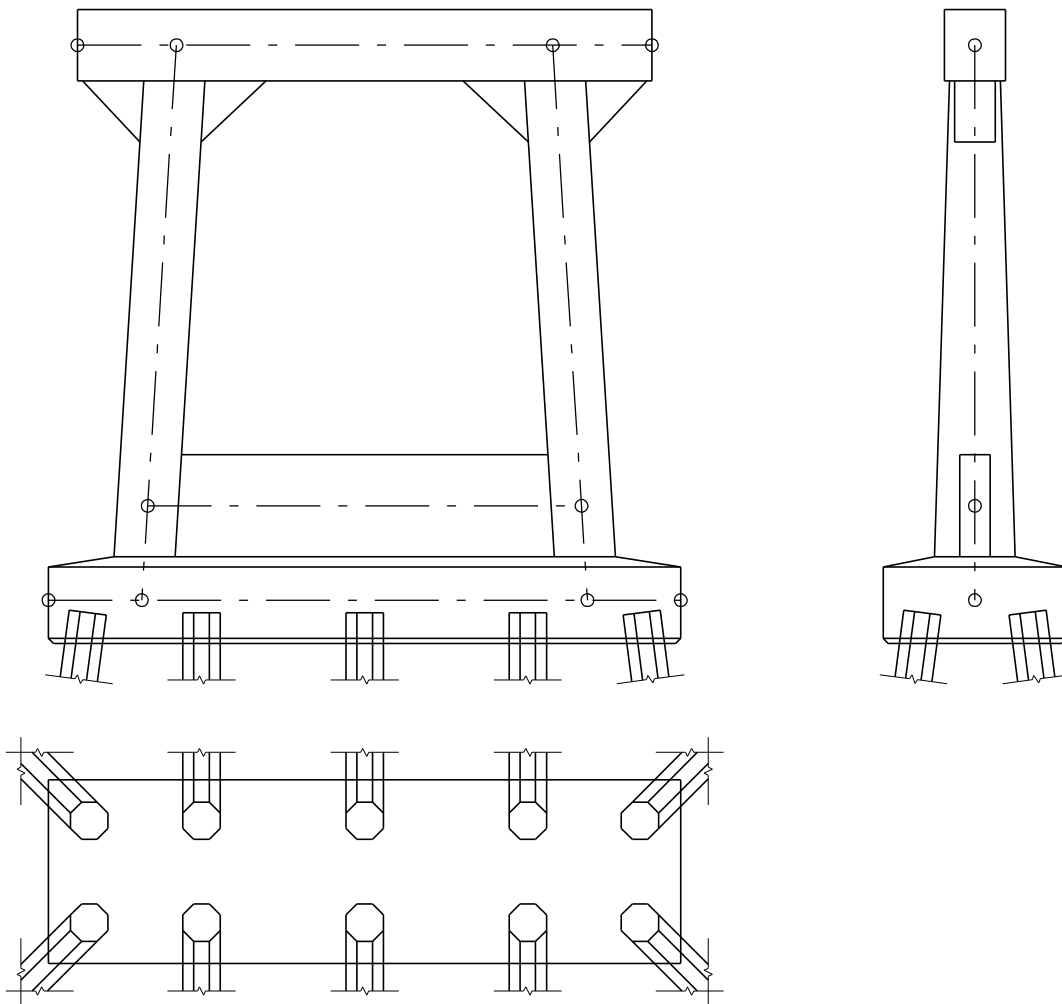
**BENT 142  
DOUBLE STRUT  
PRESTRESSED GIRDER - PRESTRESSED GIRDER**



**BENT 143**  
**DOUBLE STRUT**  
**PRESTRESSED GIRDER - WELDED STEEL GIRDER**



**BENT 145**  
**DOUBLE STRUT**  
**WELDED STEEL GIRDER - WELDED STEEL GIRDER**



**BENT 160  
NO STRUT  
PRESTRESSED GIRDER - PRESTRESSED GIRDER**