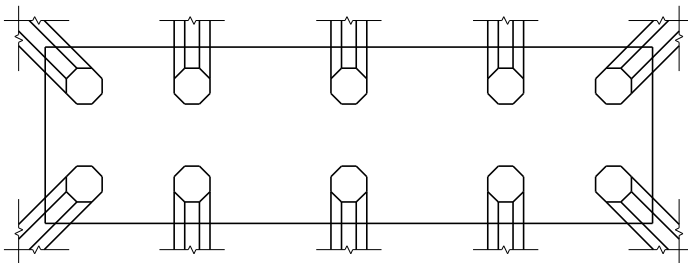
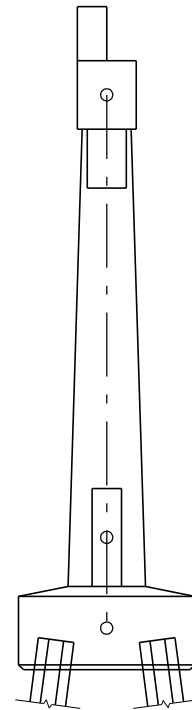
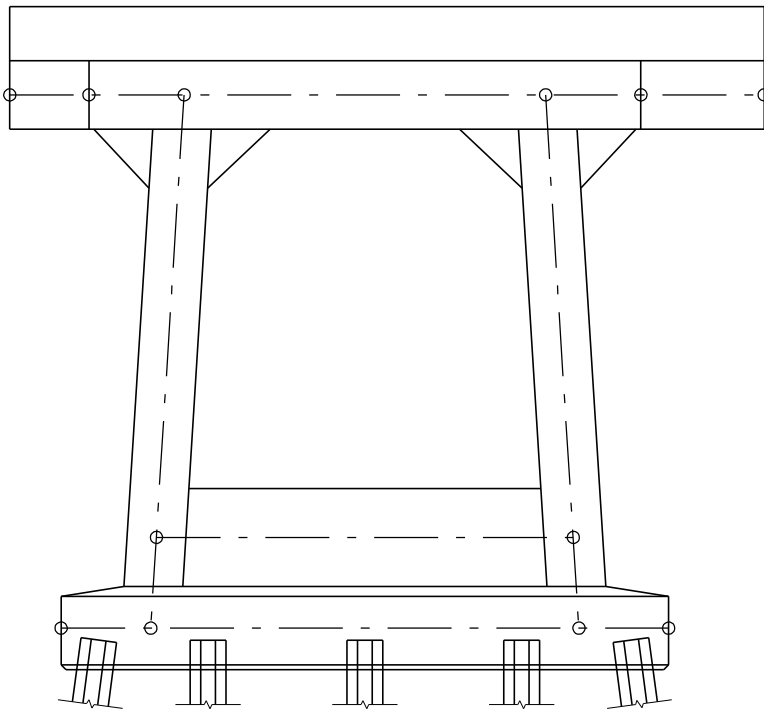
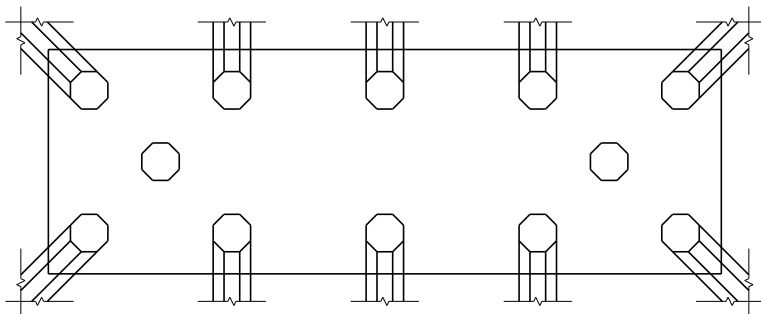
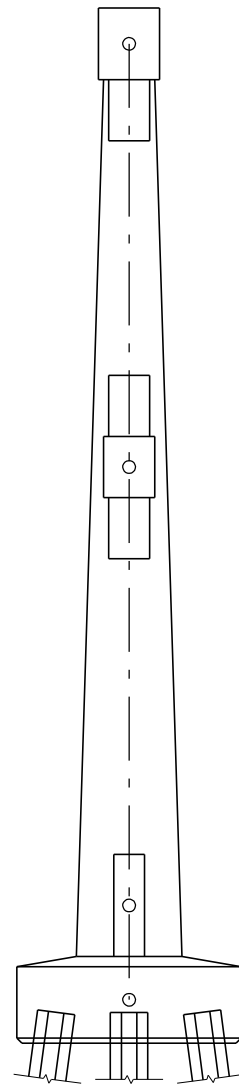
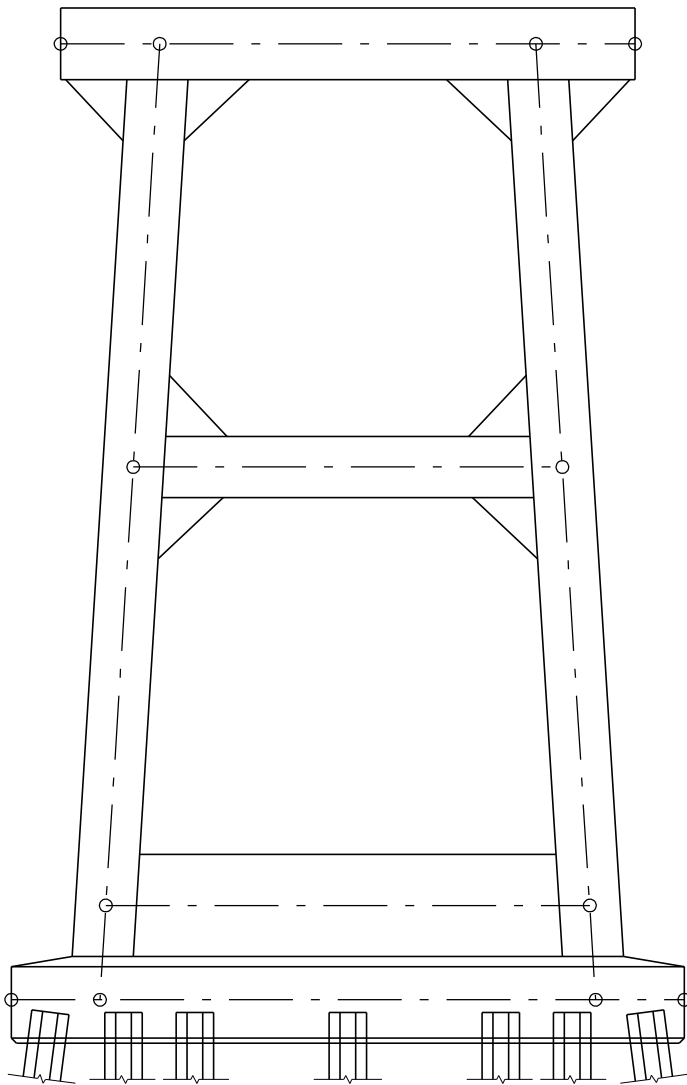


Appendix F

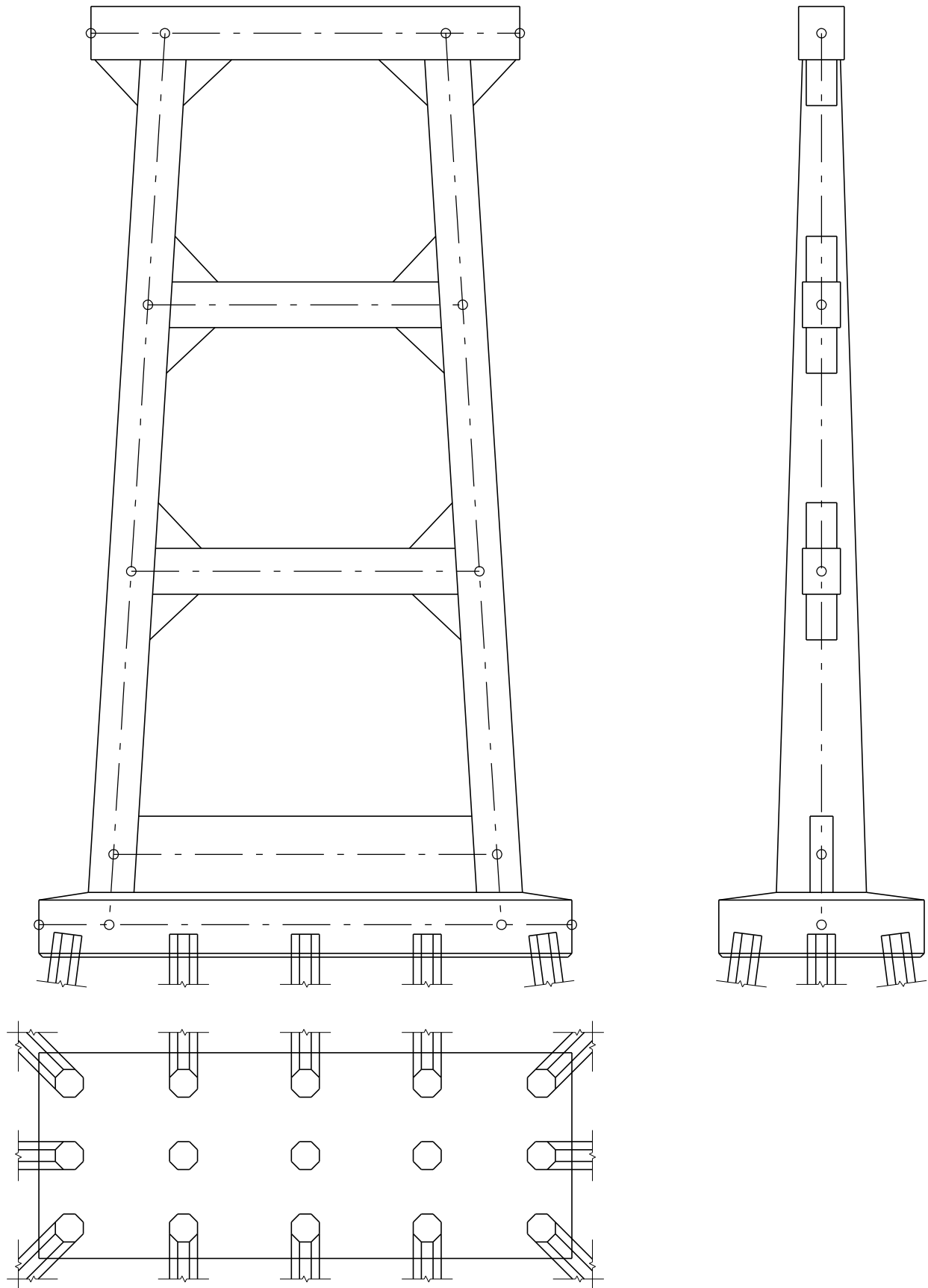
Model Types



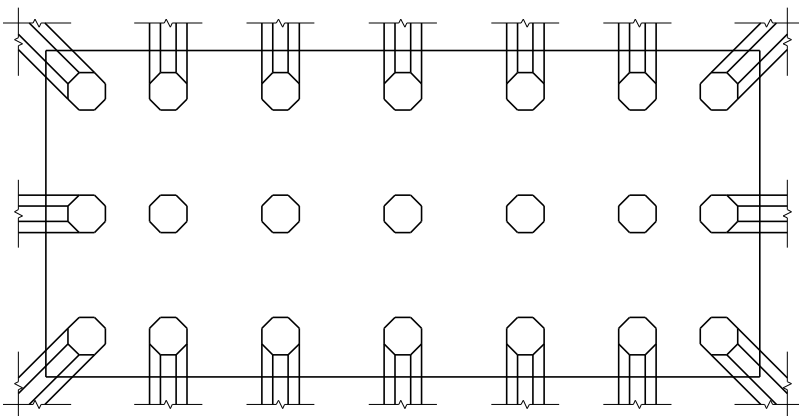
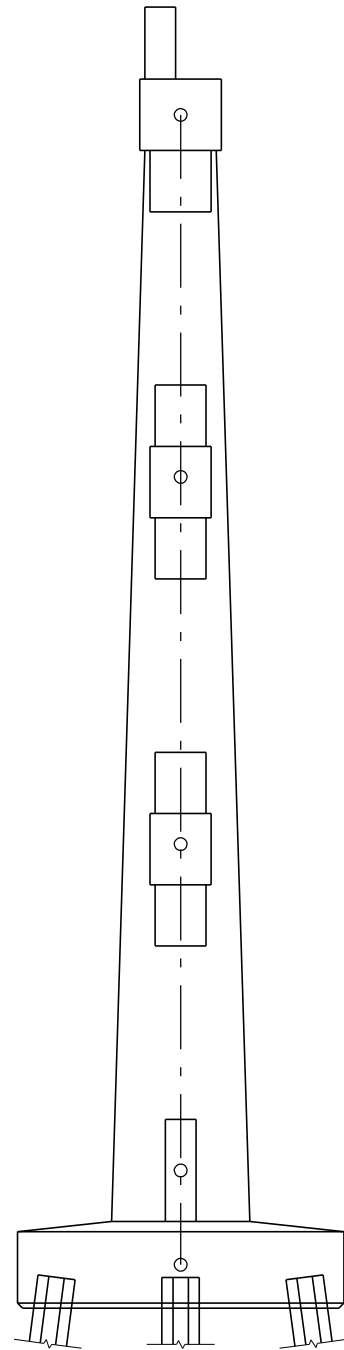
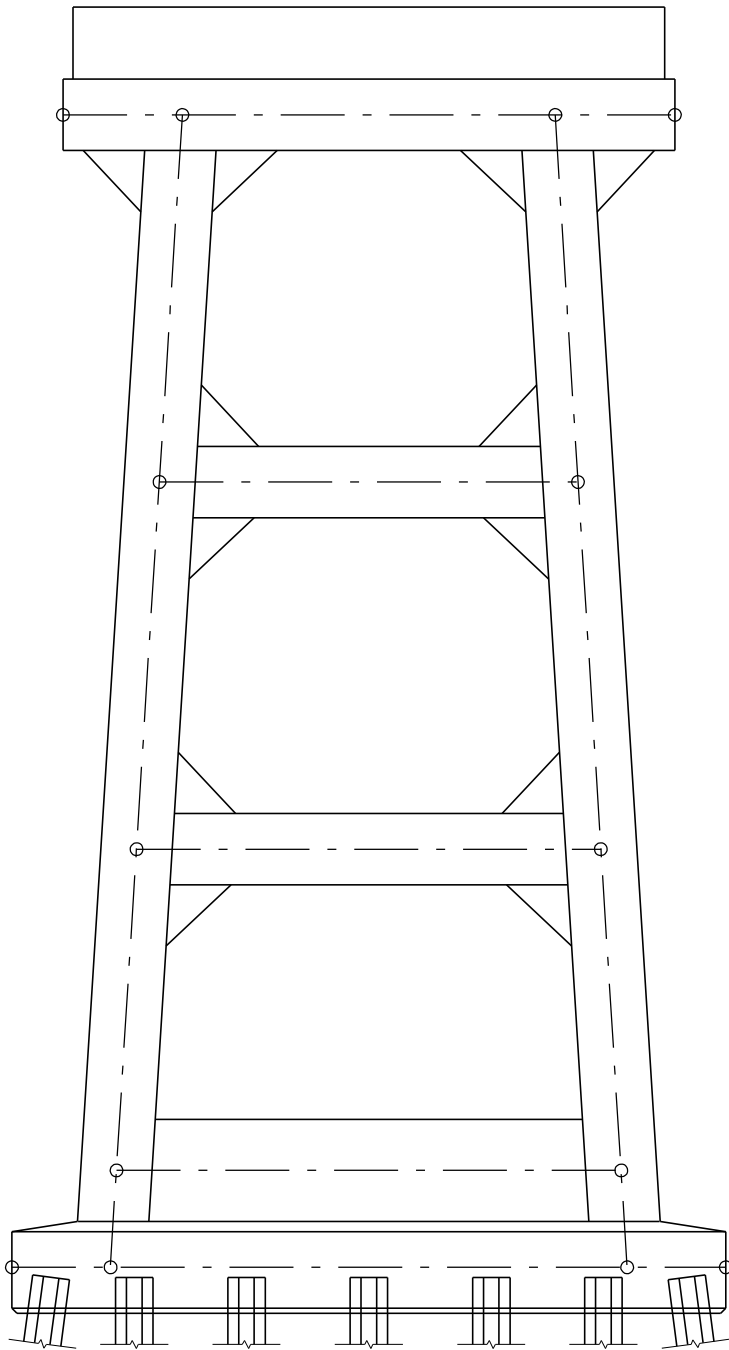
**BENT 129
NO STRUT
CORED SLAB - PRESTRESSED GIRDER**



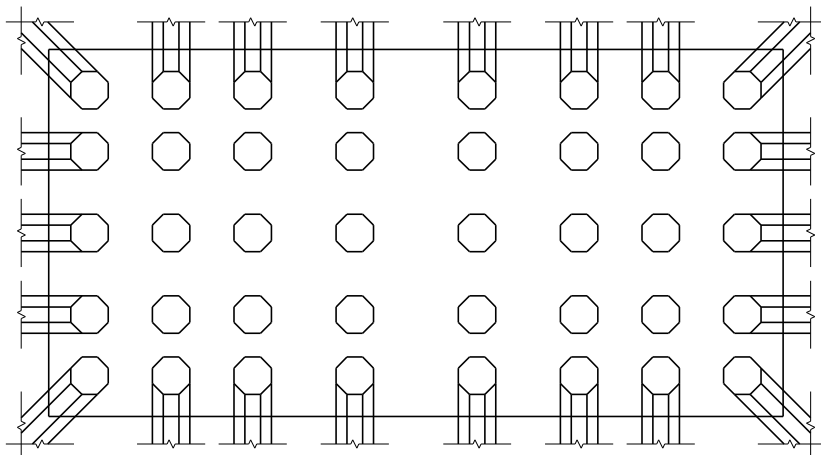
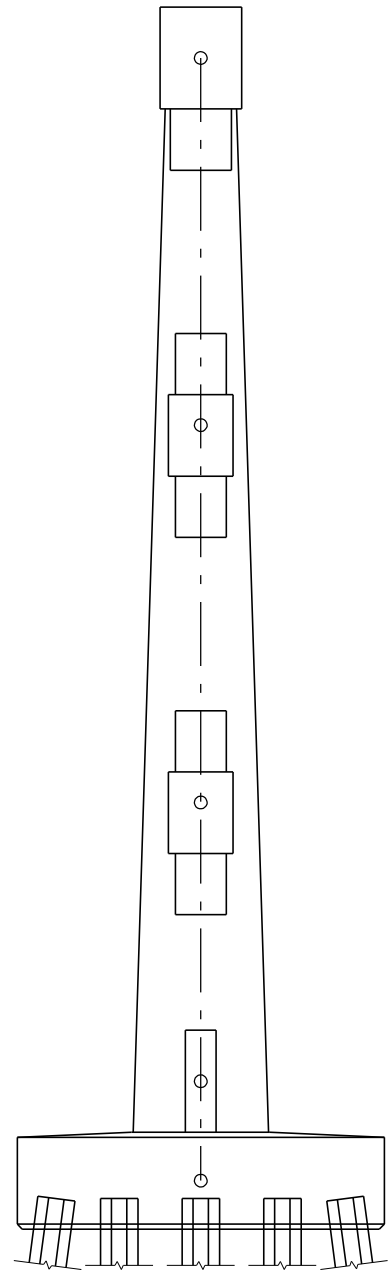
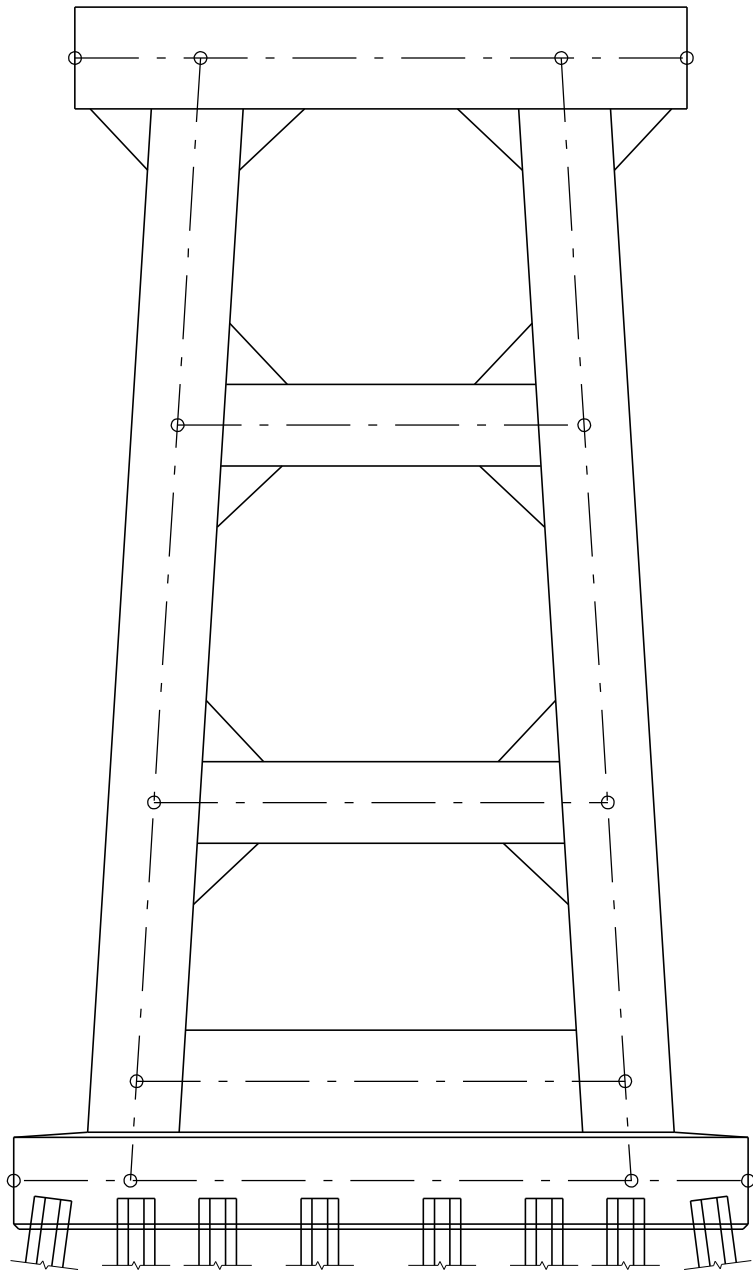
BENT 137
SINGLE STRUT
PRESTRESSED GIRDER - PRESTRESSED GIRDER



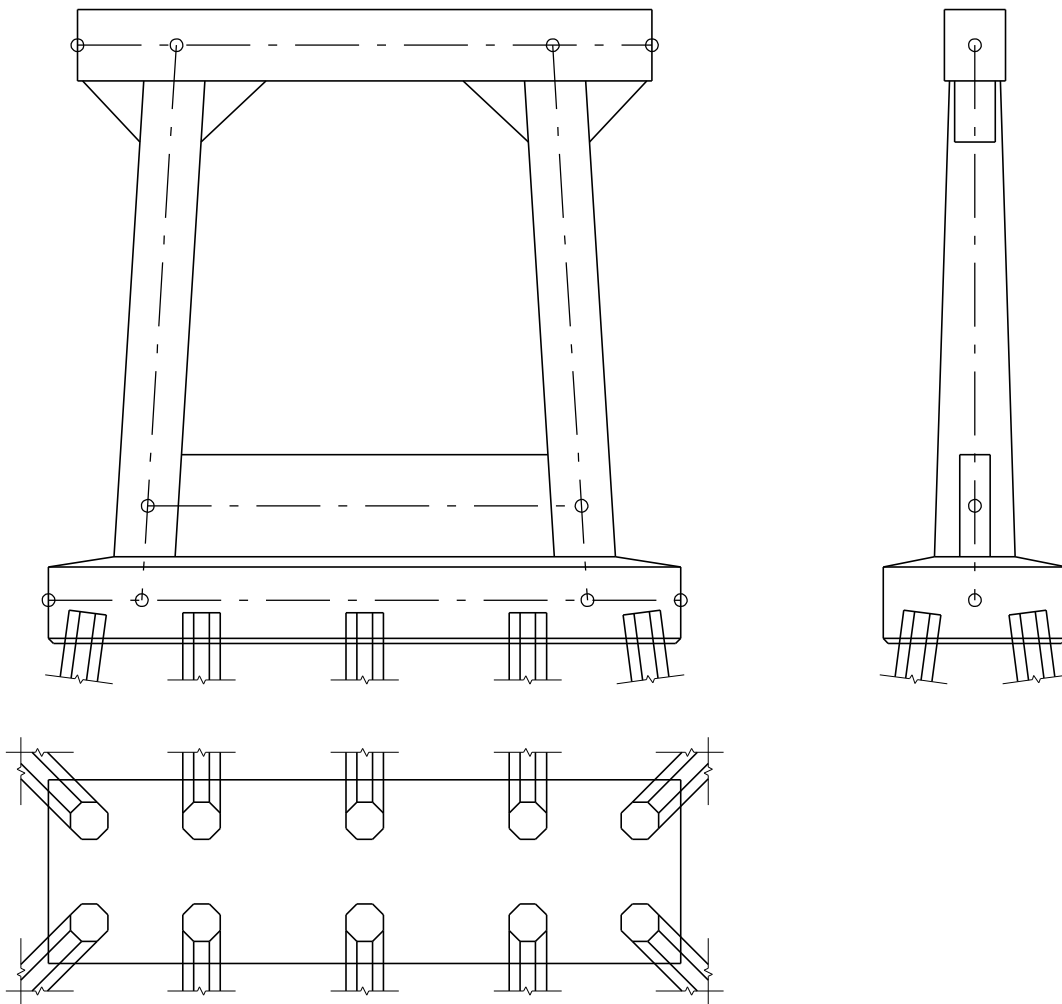
**BENT 142
DOUBLE STRUT
PRESTRESSED GIRDER - PRESTRESSED GIRDER**



**BENT 143
DOUBLE STRUT
PRESTRESSED GIRDER - WELDED STEEL GIRDER**



**BENT 145
DOUBLE STRUT
WELDED STEEL GIRDER - WELDED STEEL GIRDER**



**BENT 160
NO STRUT
PRESTRESSED GIRDER - PRESTRESSED GIRDER**