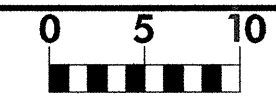






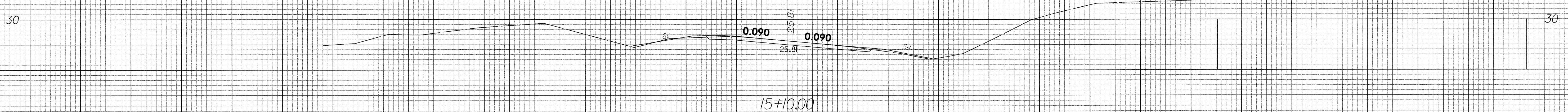
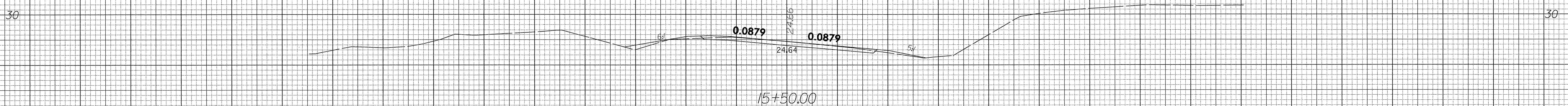
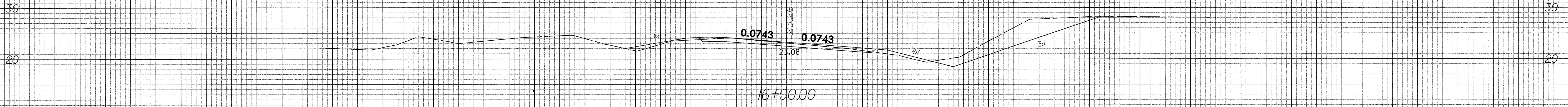
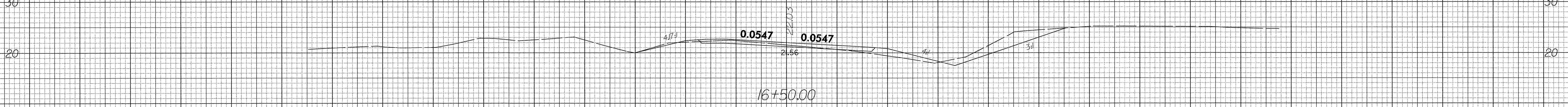
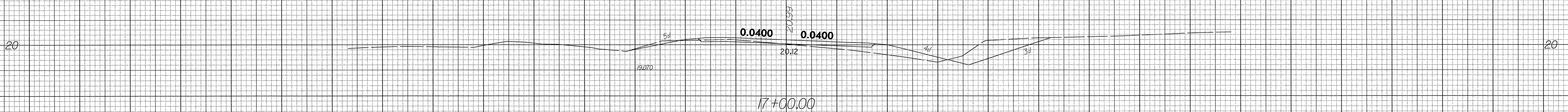
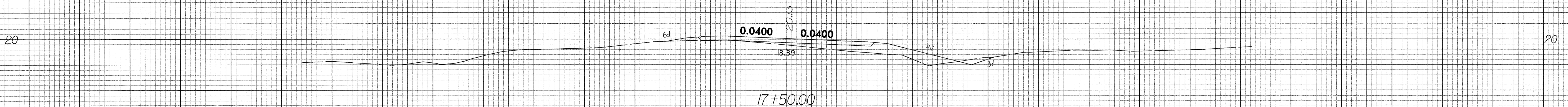
B:23/99



PROJ. REFERENCE NO.  
B-4215

SHEET NO.  
X-2

150 140 130 120 110 100 90 80 70 60 50 40 30 20 10 0 10 20 30 40 50 60 70 80 90 100 110 120 130 140 150



- EL -

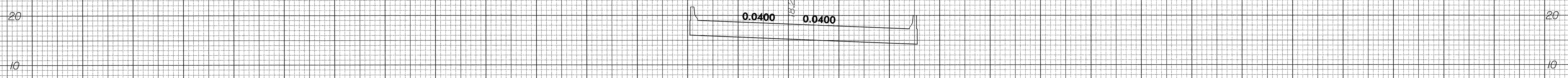
150 140 130 120 110 100 90 80 70 60 50 40 30 20 10 0 10 20 30 40 50 60 70 80 90 100 110 120 130 140 150

5/17/2006 3:45:00 PM  
r:\waterway\asc\el25-er02.dgn



8/23/99

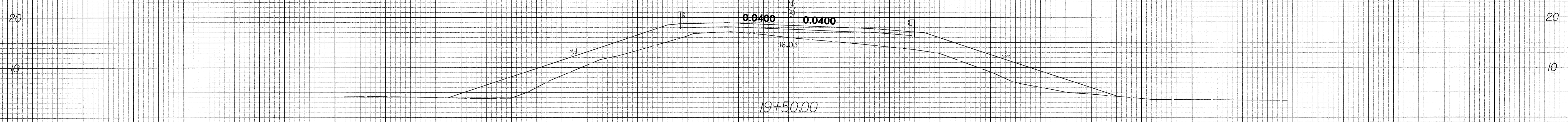
150 140 130 120 110 100 90 80 70 60 50 40 30 20 10 0 10 20 30 40 50 60 70 80 90 100 110 120 130 140 150



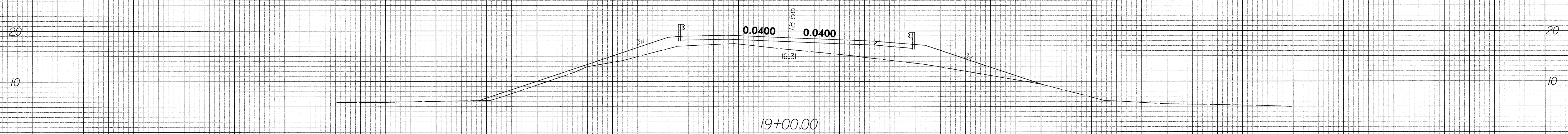
1.88

20+00.00

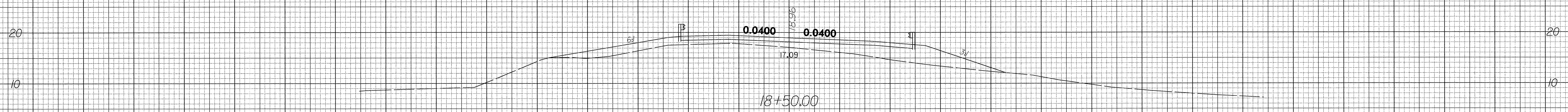
**BEGIN BRIDGE STA 19+57.75**



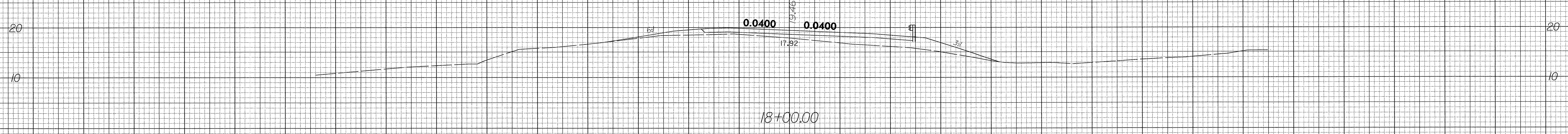
19+50.00



19+00.00



18+50.00



18+00.00

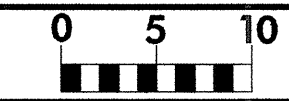
**-EL-**

150 140 130 120 110 100 90 80 70 60 50 40 30 20 10 0 10 20 30 40 50 60 70 80 90 100 110 120 130 140 150

5/17/2006 3:25:44 PM  
F:\Roadway\ksc\9405\_rdy\_xpl.dgn



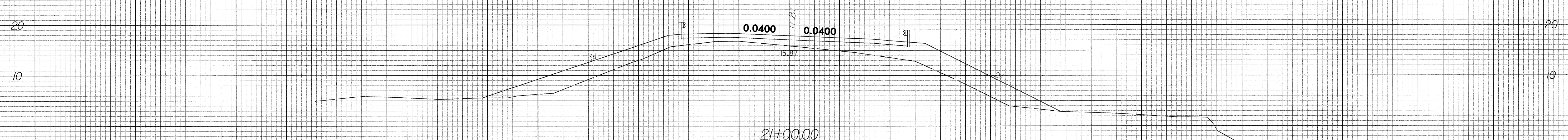
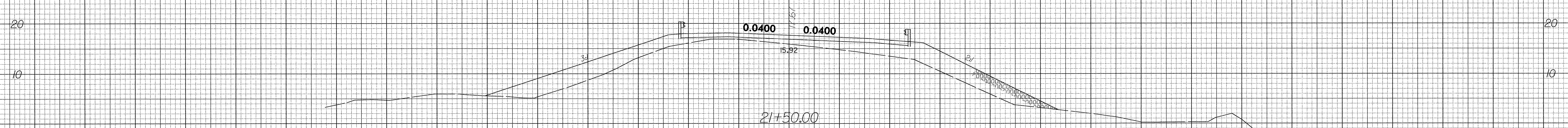
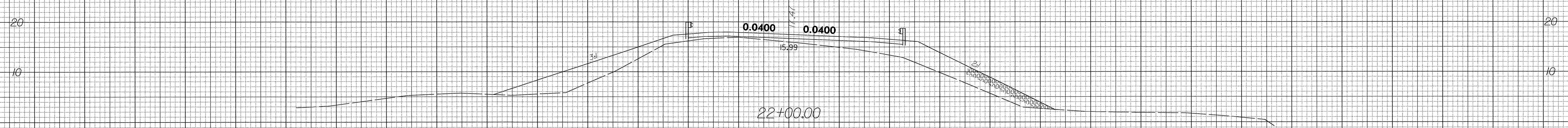
8/23/99



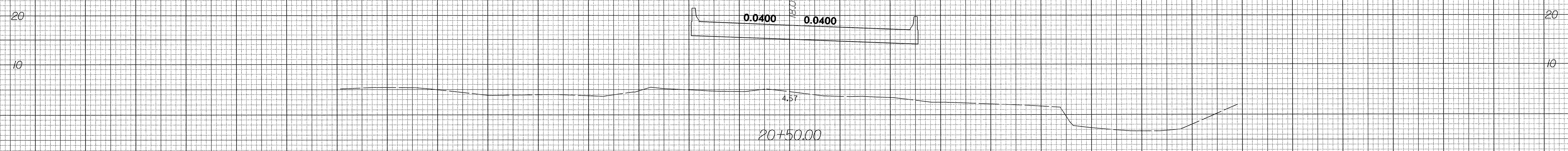
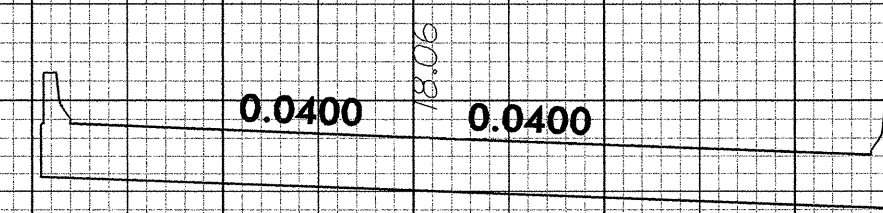
PROJ. REFERENCE NO.  
B-4215

SHEET NO.  
X-4

150 140 130 120 110 100 90 80 70 60 50 40 30 20 10 0 10 20 30 40 50 60 70 80 90 100 110 120 130 140 150



**END BRIDGE STA 20+87.75**



**-EL-**

150 140 130 120 110 100 90 80 70 60 50 40 30 20 10 0 10 20 30 40 50 60 70 80 90 100 110 120 130 140 150

5/17/2006 3:25:25 PM  
r:\roadway\Xsc\4215\er\X4.dgn



8/23/99



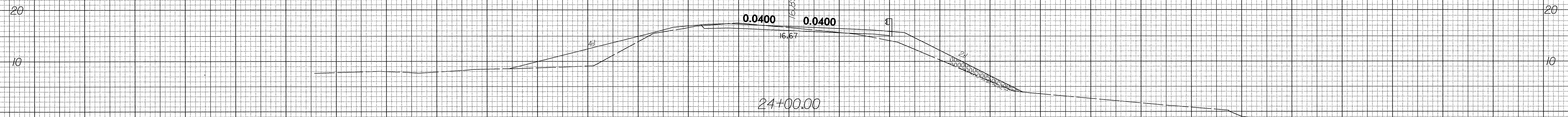
PROJ. REFERENCE NO.

SHEET NO.

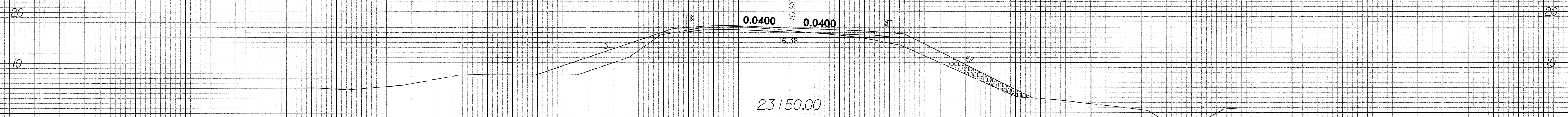
B-4215

X-5

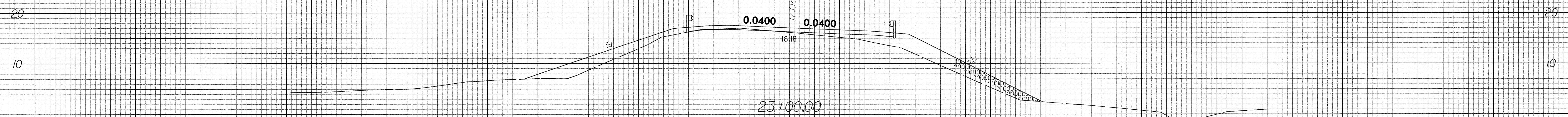
150 140 130 120 110 100 90 80 70 60 50 40 30 20 10 0 10 20 30 40 50 60 70 80 90 100 110 120 130 140 150



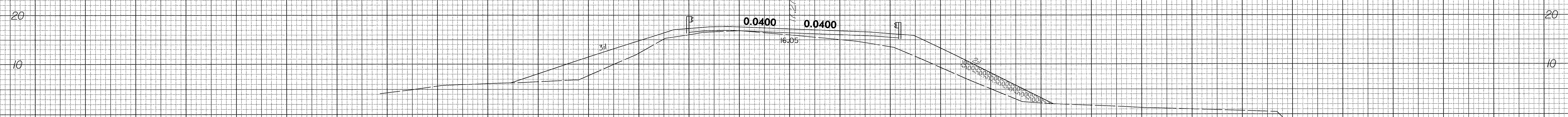
24+00.00



23+50.00



23+00.00



22+50.00

-EL-

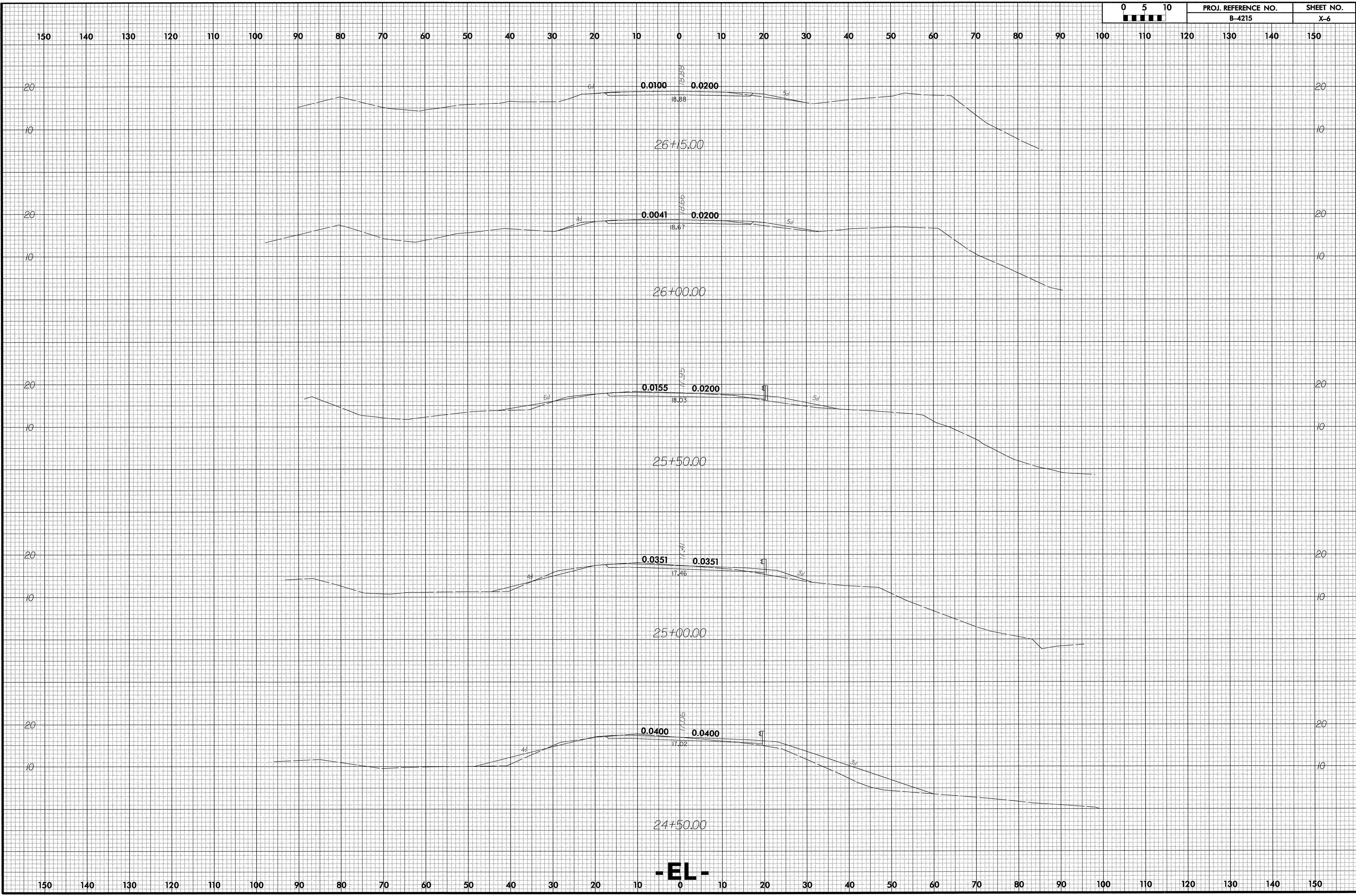
150 140 130 120 110 100 90 80 70 60 50 40 30 20 10 0 10 20 30 40 50 60 70 80 90 100 110 120 130 140 150

5/17/2006 3:25:35 PM

n:\roadway\asc\4215\_r01\_xp.dgn



8/23/99



-EL-

5/17/2006 3:25:46 PM  
F:\Roadway\Xsc\4215\4215.dgn