

STATE	STATE PROJECT REFERENCE NO.	SHEET NO.	TOTAL SHEETS
N.C.	B-3916	EC-1	
STATE PROJ. NO.	F.A. PROJ. NO.	DESCRIPTION	

**TIP PROJECT: B-3916**

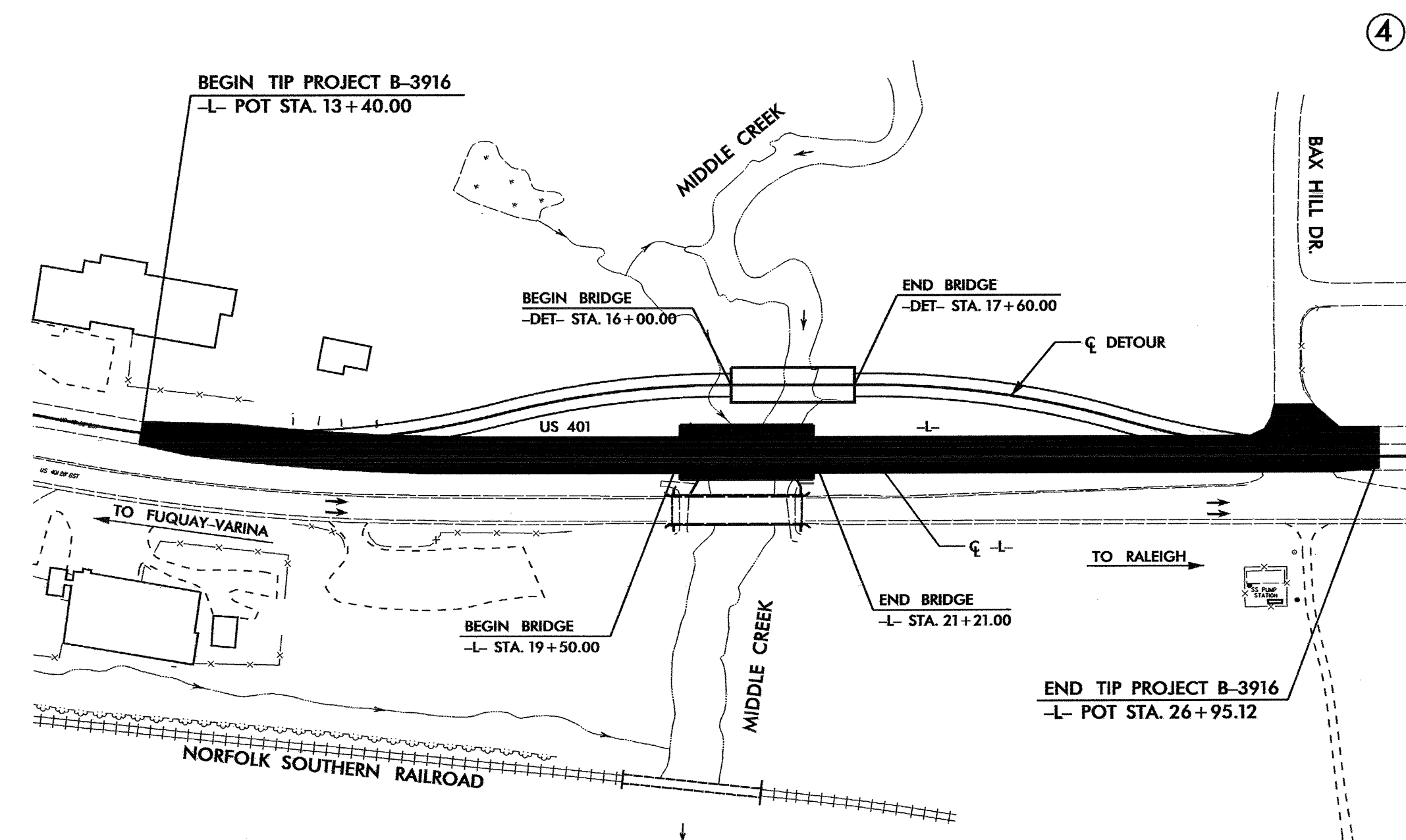
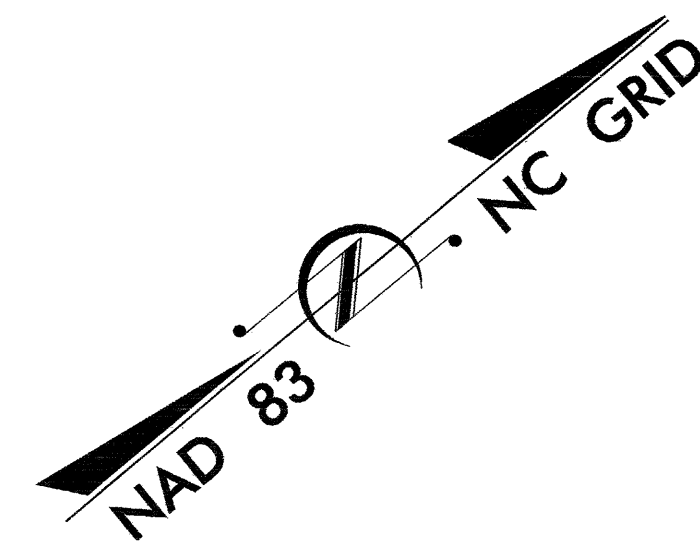
STATE OF NORTH CAROLINA  
DIVISION OF HIGHWAYS  
PLAN FOR PROPOSED  
HIGHWAY EROSION CONTROL  
**WAKE COUNTY**

**LOCATION: ON US SOUTHBOUND 401 OVER  
MIDDLE CREEK**

**TYPE OF WORK: GRADING, PAVING, DRAINAGE AND  
STRUCTURE**

**EROSION AND SEDIMENT CONTROL MEASURES**

Std. #	Description	Symbol
	Streambank Reforestation.....	
1650.03	Temporary Silt Ditch.....	
1630.05	Temporary Diversion.....	
1605.01	Temporary Silt Fence.....	
1606.01	Special Sediment Control Fence.....	
1622.01	Temporary Berms and Slope Drains.....	
1650.01	Riser Basin.....	
1650.02	Silt Basin Type B.....	
1633.01	Temporary Rock Silt Check Type-A.....	
	Temporary Rock Silt Check Type-B.....	
1634.01	Temporary Rock Sediment Dam Type-A.....	
1634.02	Temporary Rock Sediment Dam Type-B.....	
1635.01	Rock Pipe Inlet Sediment Trap Type-A.....	
1635.02	Rock Pipe Inlet Sediment Trap Type-B.....	
1650.04	Stilling Basin.....	
	Rock Inlet Sediment Trap:	
1632.01	Type A.....	
1632.02	Type B.....	
1632.03	Type C.....	
	Skimmer Basin.....	
	Tiered Skimmer Basin.....	

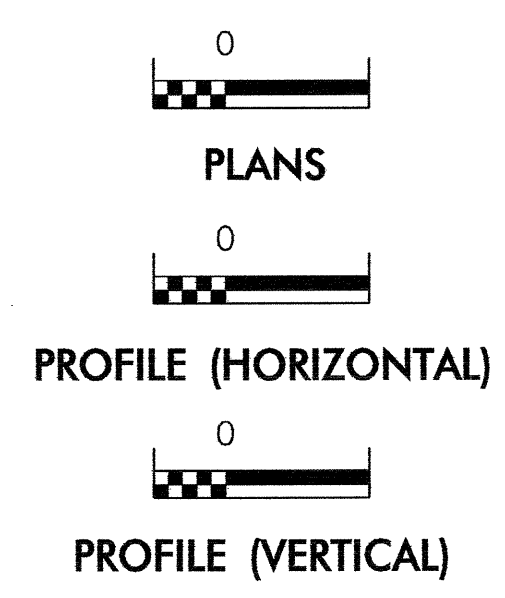


**THIS PROJECT CONTAINS  
EROSION CONTROL PLANS  
FOR CLEARING AND  
GRUBBING PHASE OF  
CONSTRUCTION.**

**THIS PROJECT HAS  
BEEN DESIGNED TO  
SENSITIVE WATERSHED  
STANDARDS.**

**ENVIRONMENTALLY  
SENSITIVE AREA(S) EXIST  
ON THIS PROJECT**  
*Refer To E. C. Special Provisions  
for Special Considerations.*

**GRAPHIC SCALE**



ROADSIDE ENVIRONMENTAL UNIT  
DIVISION OF HIGHWAYS  
STATE OF NORTH CAROLINA

Prepared In the Office of:  
**ROADSIDE ENVIRONMENTAL UNIT**  
1 South Wilmington St.  
Raleigh, NC 27611  
**2006 STANDARD SPECIFICATIONS**

Roadway Standard Drawings

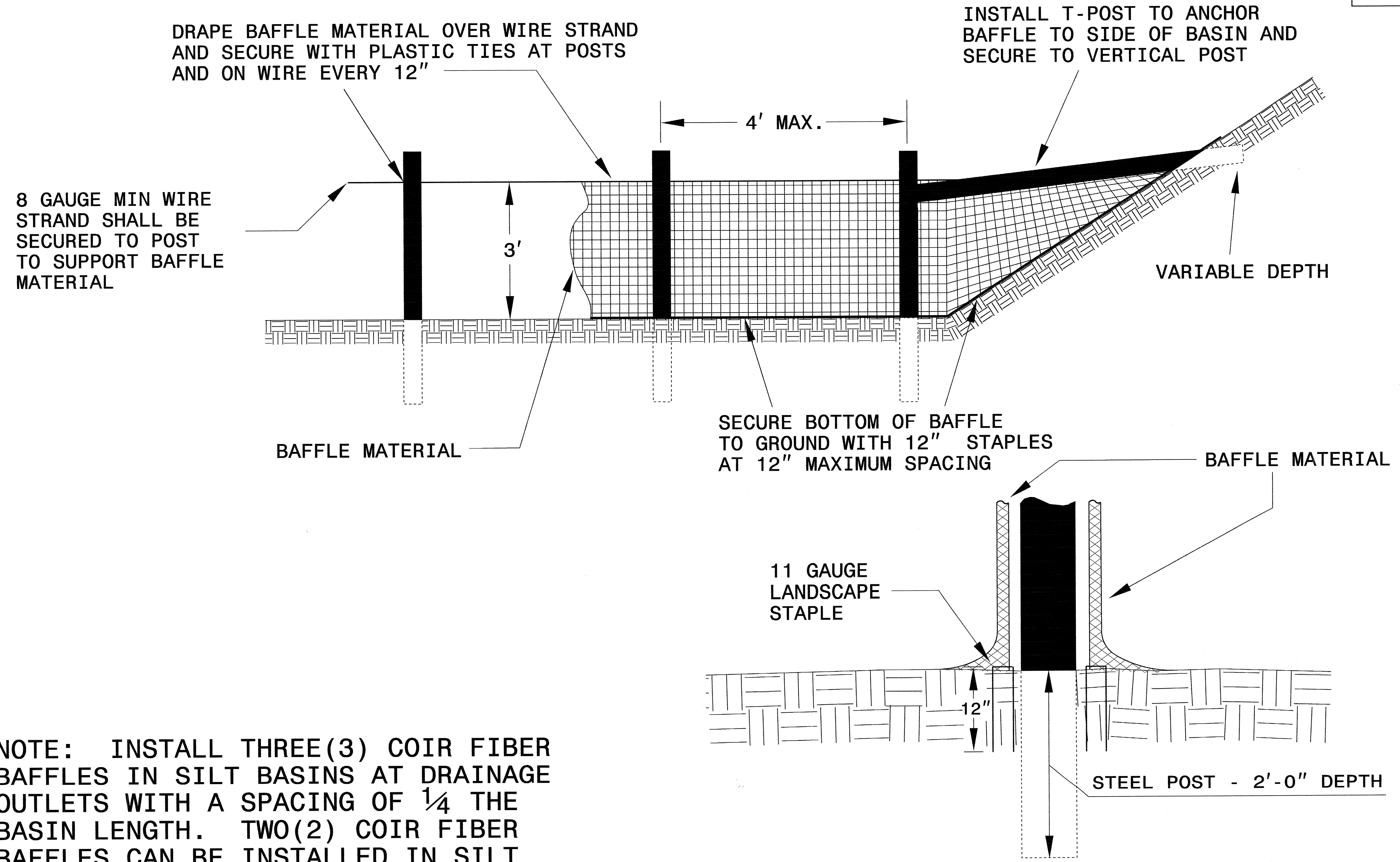
The following roadway english standards as appear in "Roadway Standard Drawings"- Roadway Design Unit - N. C. Department of Transportation - Raleigh, N. C., dated July 18, 2006 and the latest revision thereto are applicable to this project and by reference hereby are considered a part of these plans.

1605.01 Temporary Silt Fence	1630.06 Special Stilling Basin
1607.01 Gravel Construction Entrance	1632.03 Rock Inlet Sediment Trap Type C
1622.01 Temporary Berms and Slope Drains	1633.01 Temporary Rock Silt Check Type A
1630.05 Temporary Diversion	

30-JAN-2007 08:48  
project:\b3916\design\ec-1\design\ec-1.dwg  
REVISED: 1/23/07  
REVISED: 1/23/07  
REVISED: 1/23/07

PROJECT REFERENCE NO. B-3916	SHEET NO. EC-2
RW SHEET NO.	
ROADWAY DESIGN ENGINEER	HYDRAULICS ENGINEER

# COIR FIBER BAFFLE DETAIL

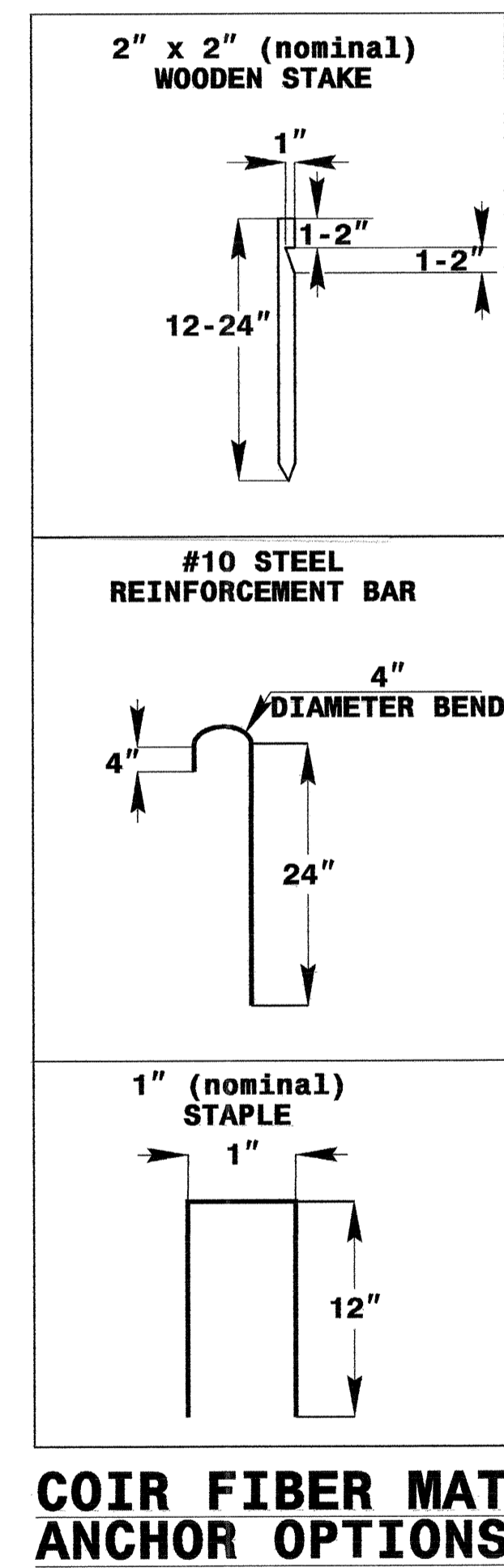
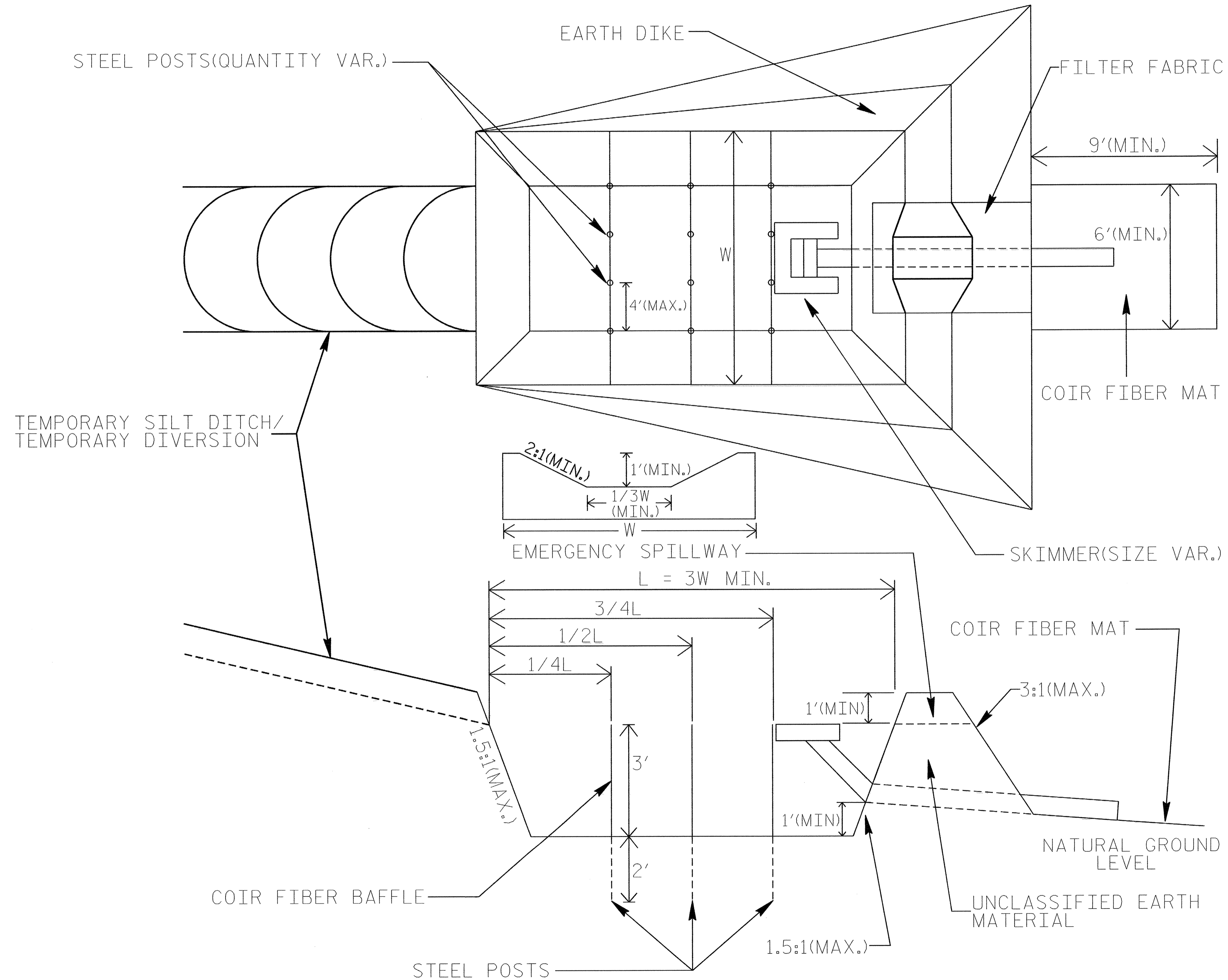


NOTE: INSTALL THREE (3) COIR FIBER BAFFLES IN SILT BASINS AT DRAINAGE OUTLETS WITH A SPACING OF  $\frac{1}{4}$  THE BASIN LENGTH. TWO (2) COIR FIBER BAFFLES CAN BE INSTALLED IN SILT BASINS LESS THAN 20 FT. IN LENGTH WITH A SPACING OF  $\frac{1}{3}$  THE BASIN LENGTH.

BAFFLE MATERIAL SHALL BE SECURED TO THE BOTTOM AND SIDES OF BASIN USING 12" LANDSCAPE STAPLES

# SKIMMER BASIN WITH BAFFLES DETAIL

PROJECT REFERENCE NO. B-3916	SHEET NO. EC-2A
RW SHEET NO.	
ROADWAY DESIGN ENGINEER	HYDRAULICS ENGINEER





CLEARING AND GRUBBING  
EROSION CONTROL FOR  
CONSTRUCTION SHEET 4A

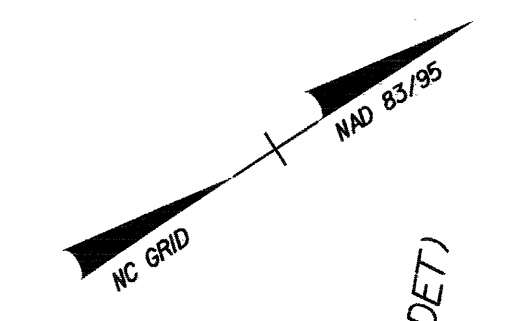
INSTALL FILTER FABRIC UNDER  
TEMPORARY ROCK SILT CHECK(S)  
TYPE A IN PERMITTED WETLANDS.

NOTE:  
UTILIZE SPECIAL STILLING BASIN WHERE APPLICABLE.

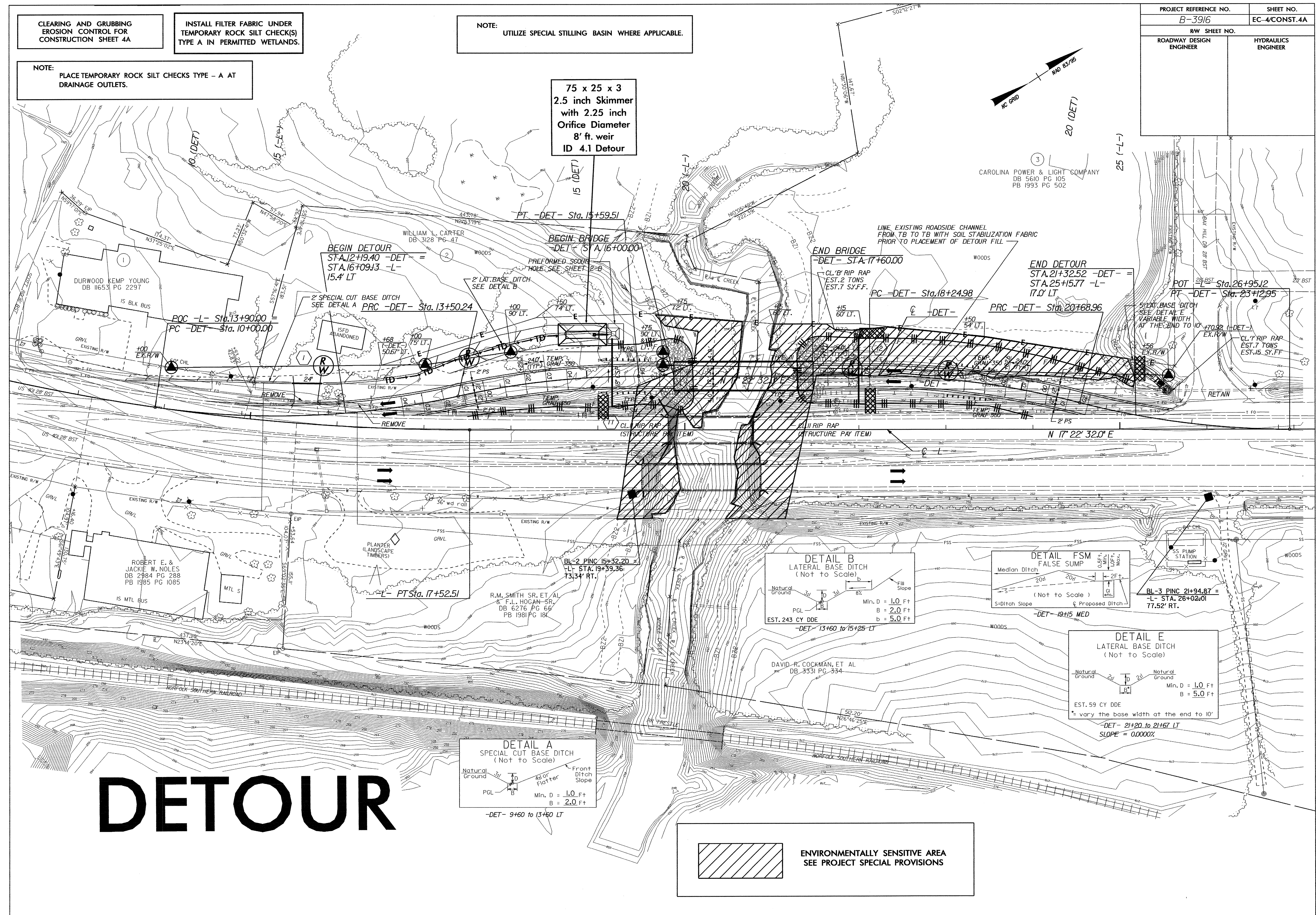
NOTE:  
PLACE TEMPORARY ROCK SILT CHECKS TYPE - A AT  
DRAINAGE OUTLETS.

75 x 25 x 3  
2.5 inch Skimmer  
with 2.25 inch  
Orifice Diameter  
8' ft. weir  
ID 4.1 Detour

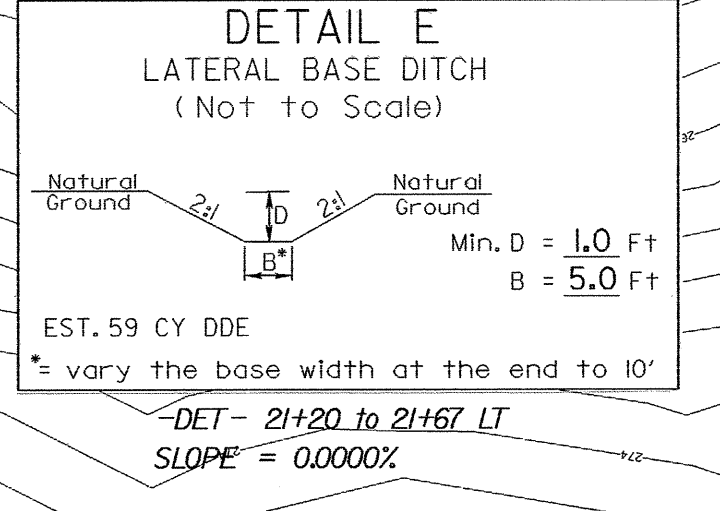
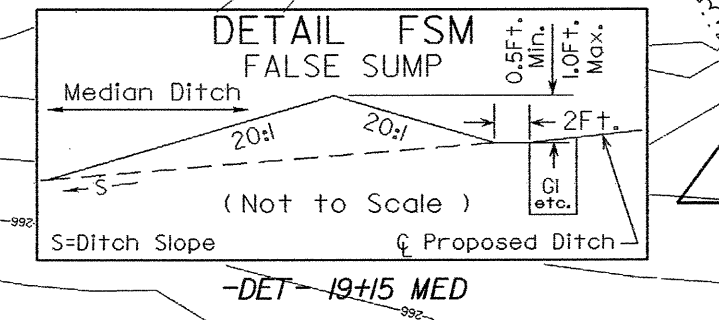
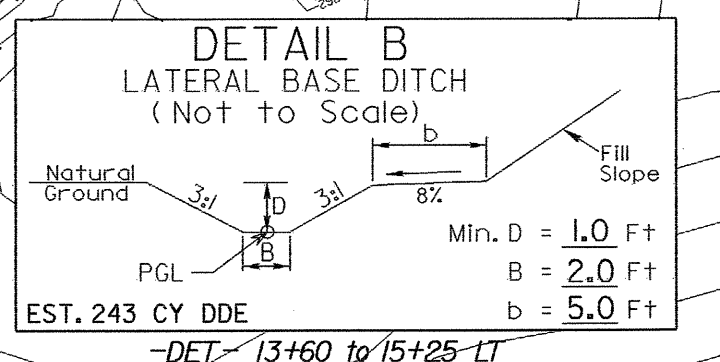
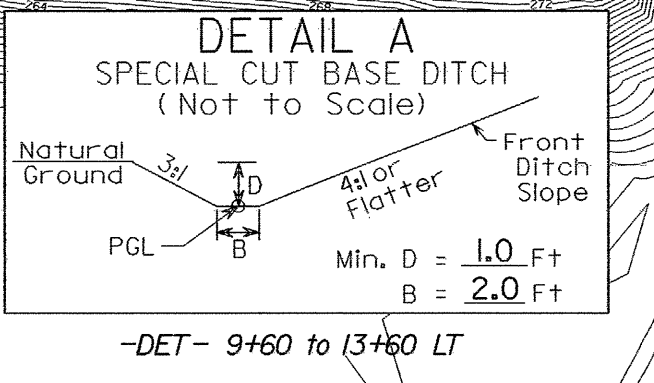
PROJECT REFERENCE NO. B-3916	SHEET NO. EC-4/CONST.4A
RW SHEET NO.	
ROADWAY DESIGN ENGINEER	HYDRAULICS ENGINEER



CAROLINA POWER & LIGHT COMPANY  
DB 5610 PG 105  
PB 1993 PG 502



# DETOUR



ENVIRONMENTALLY SENSITIVE AREA  
SEE PROJECT SPECIAL PROVISIONS

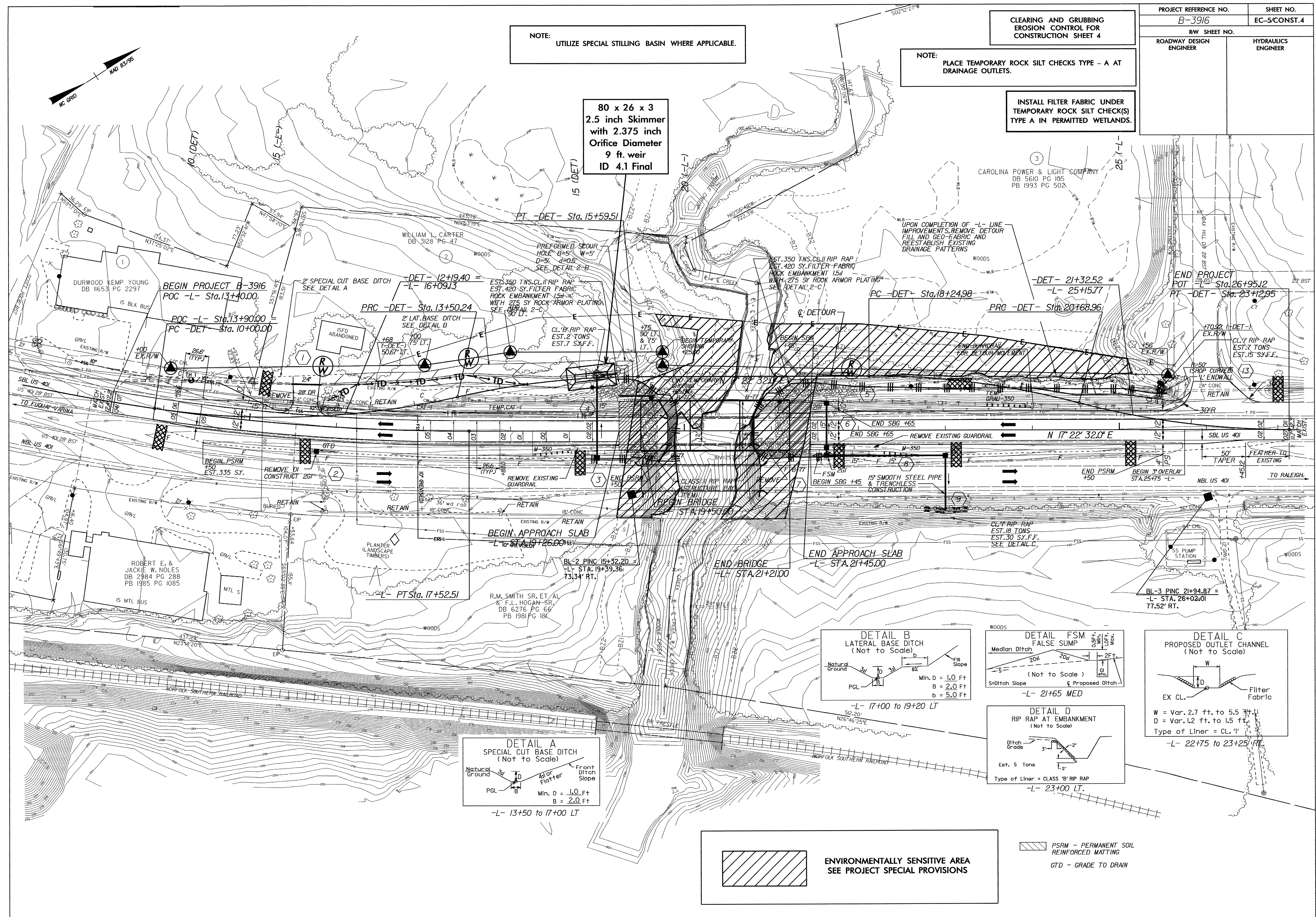
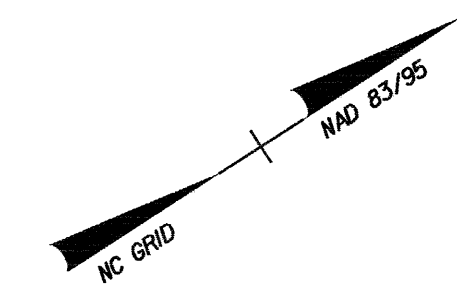
CLEARING AND GRUBBING  
EROSION CONTROL FOR  
CONSTRUCTION SHEET 4

NOTE:  
UTILIZE SPECIAL STILLING BASIN WHERE APPLICABLE.

NOTE:  
PLACE TEMPORARY ROCK SILT CHECKS TYPE - A AT  
DRAINAGE OUTLETS.

INSTALL FILTER FABRIC UNDER  
TEMPORARY ROCK SILT CHECK(S)  
TYPE A IN PERMITTED WETLANDS.

80 x 26 x 3  
2.5 inch Skimmer  
with 2.375 inch  
Orifice Diameter  
9 ft. weir  
ID 4.1 Final



BEGIN PROJECT B-3916  
POC -L- Sta.13+40.00  
PC -DET- Sta.10+00.00

PRC -DET- Sta.13+50.24

PC -DET- Sta.18+24.98

PRC -DET- Sta.20+68.96

END PROJECT  
PT -DET- Sta.26+95.12  
PT -DET- Sta.23+12.95

PT -DET- Sta.15+59.51

-DET- 21+32.52 =  
-L- 25+15.77

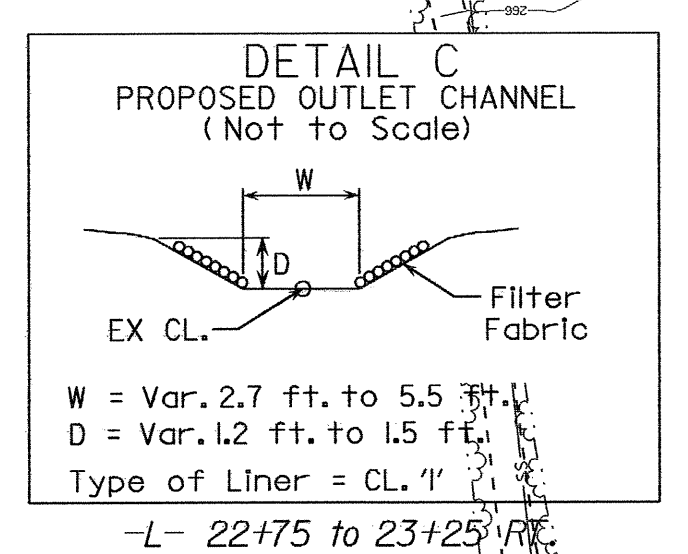
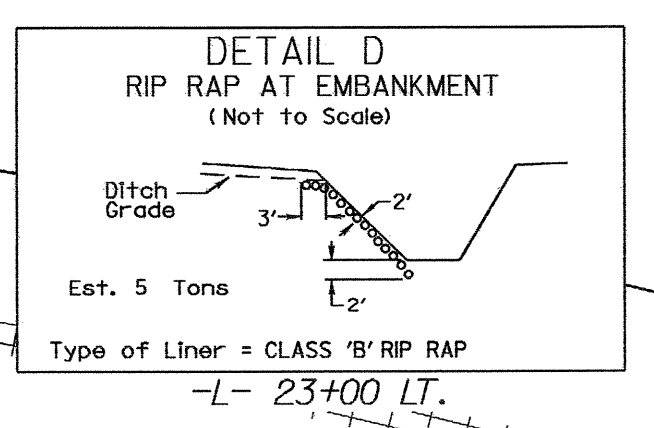
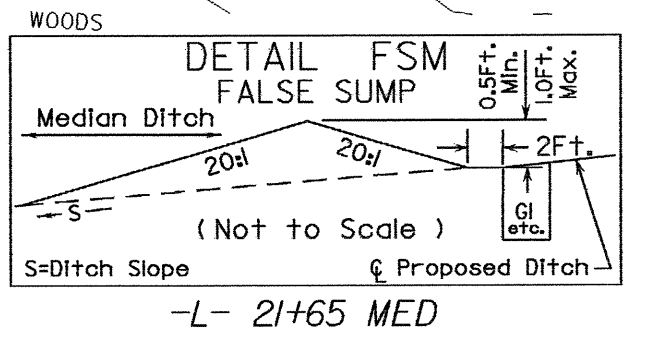
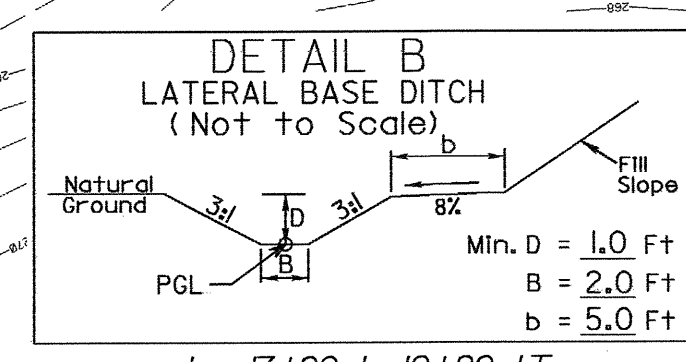
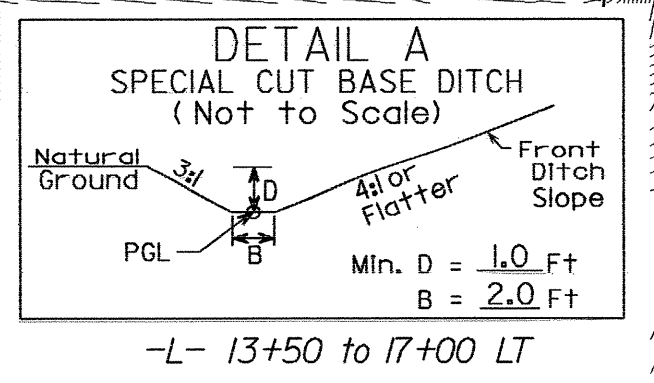
BEGIN BRIDGE  
-L- STA.19+50.00

END BRIDGE  
-L- STA.21+21.00

END APPROACH SLAB  
-L- STA.21+45.00

-L- PT Sta. 17+52.51

BL-3 PINC 21+94.87 =  
-L- STA. 26+02.01  
77.52' RT.



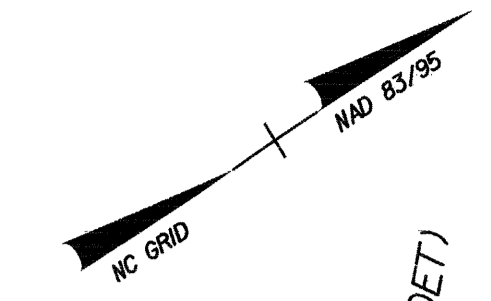
ENVIRONMENTALLY SENSITIVE AREA  
SEE PROJECT SPECIAL PROVISIONS

PSRM - PERMANENT SOIL  
REINFORCED MATTING  
 GTD - GRADE TO DRAIN

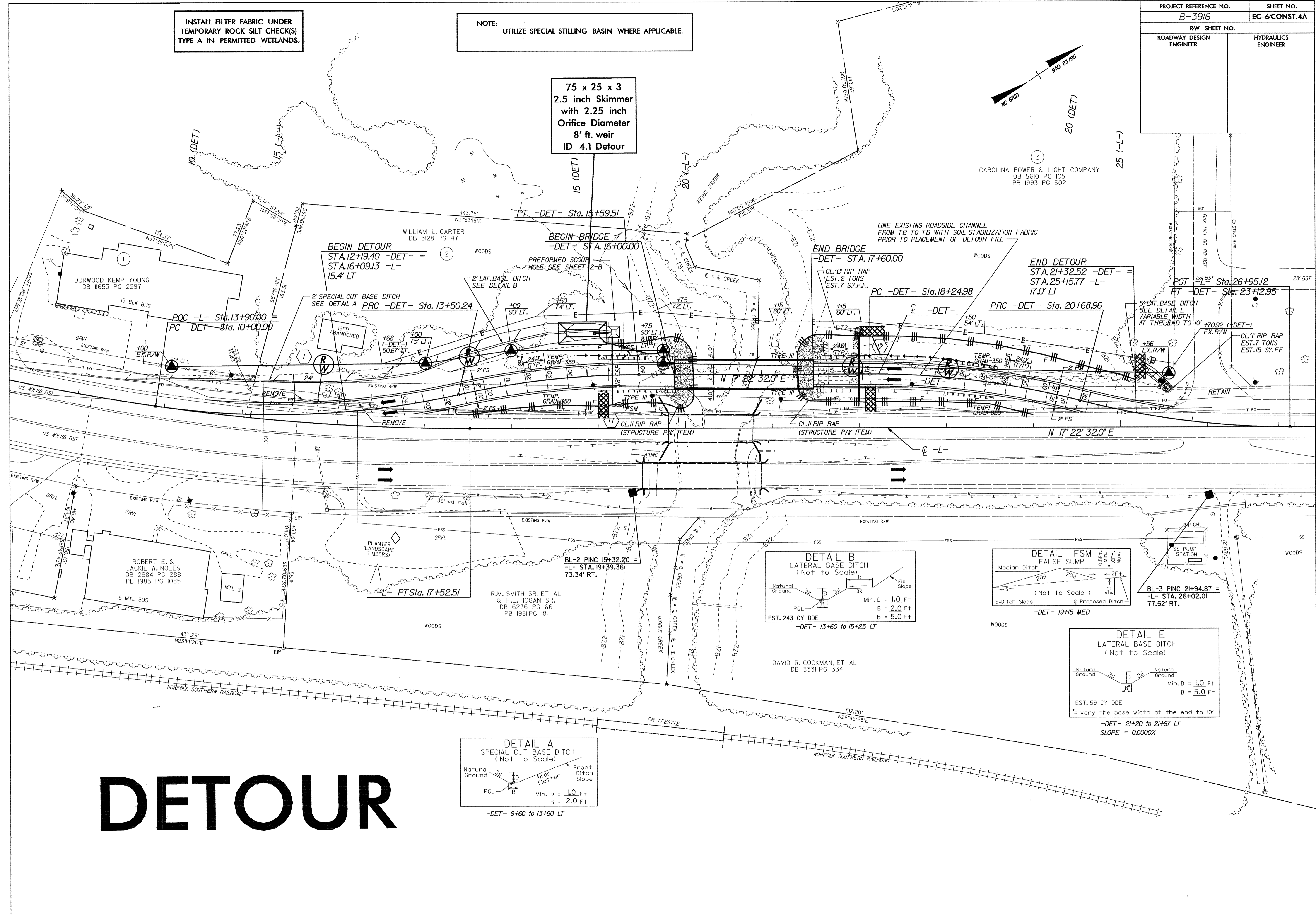
INSTALL FILTER FABRIC UNDER  
TEMPORARY ROCK SILT CHECK(S)  
TYPE A IN PERMITTED WETLANDS.

NOTE:  
UTILIZE SPECIAL STILLING BASIN WHERE APPLICABLE.

75 x 25 x 3  
2.5 inch Skimmer  
with 2.25 inch  
Orifice Diameter  
8' ft. weir  
ID 4.1 Detour



CAROLINA POWER & LIGHT COMPANY  
DB 5610 PG 105  
PB 1993 PG 502



BEGIN DETOUR  
STA. 12+19.40 -DET- =  
STA. 16+09.13 -L-  
15.4' LT

BEGIN BRIDGE  
-DET- STA. 16+00.00

END BRIDGE  
-DET- STA. 17+60.00

END DETOUR  
STA. 21+32.52 -DET- =  
STA. 25+15.77 -L-  
17.0' LT

POT -L- Sta. 26+95.12  
PT -DET- Sta. 23+12.95

POC -L- Sta. 13+90.00  
PC -DET- Sta. 10+00.00

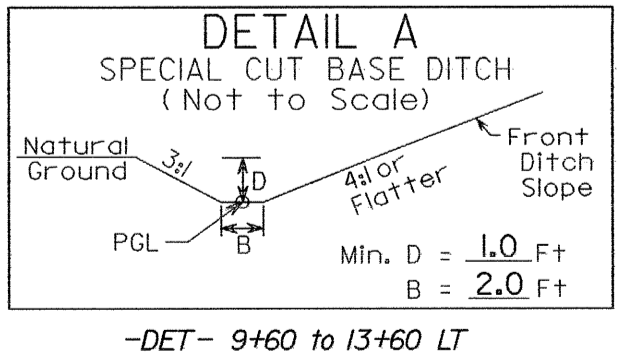
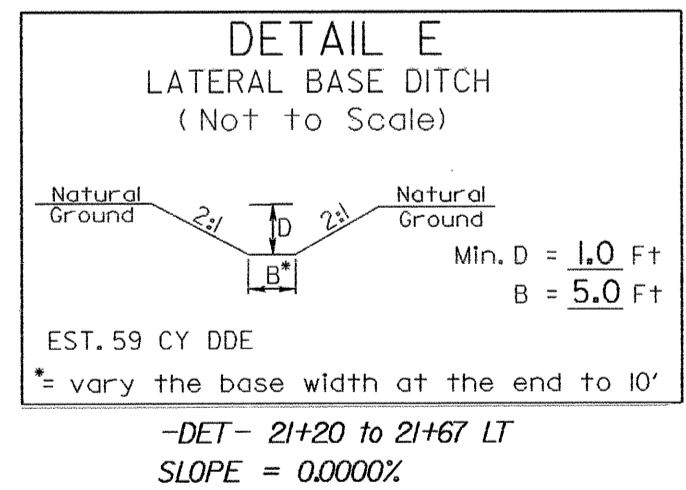
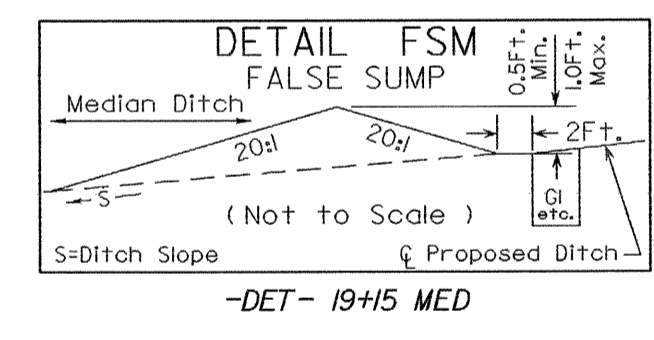
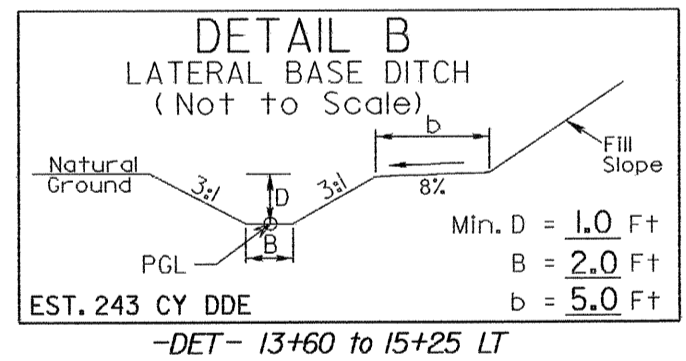
2' SPECIAL CUT BASE DITCH  
SEE DETAIL A  
PRC -DET- Sta. 13+50.24

2' LAT. BASE DITCH  
SEE DETAIL B

CL. 1' RIP RAP  
EST. 2 TONS  
EST. 7 SY.F.F.

PRC -DET- Sta. 20+68.96

CL. 1' RIP RAP  
EST. 7 TONS  
EST. 15 SY.F.F.



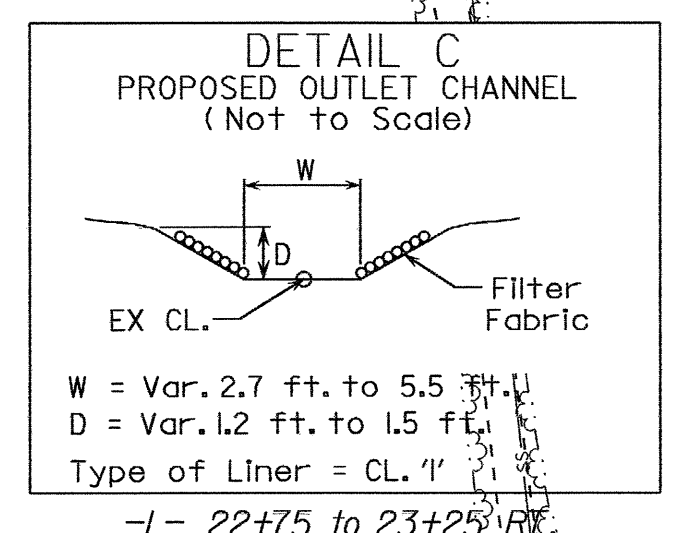
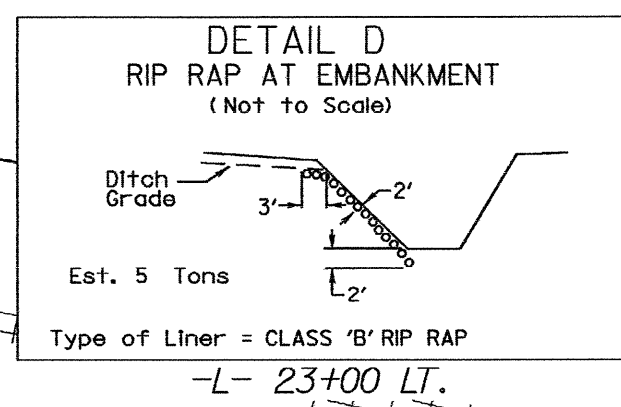
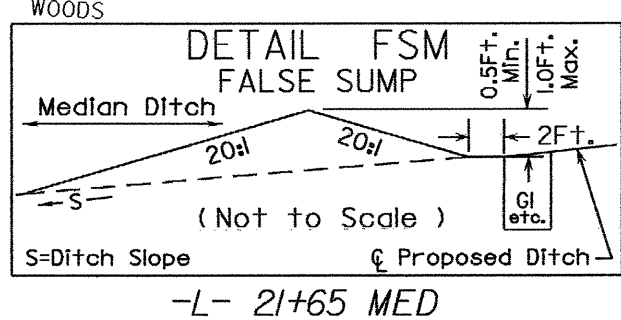
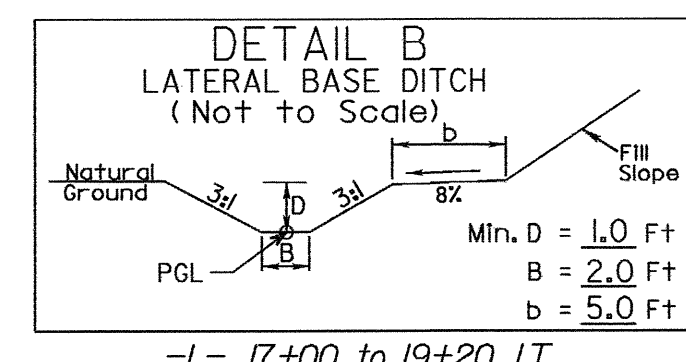
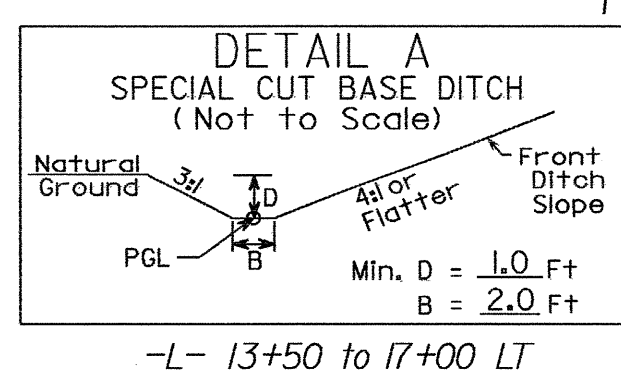
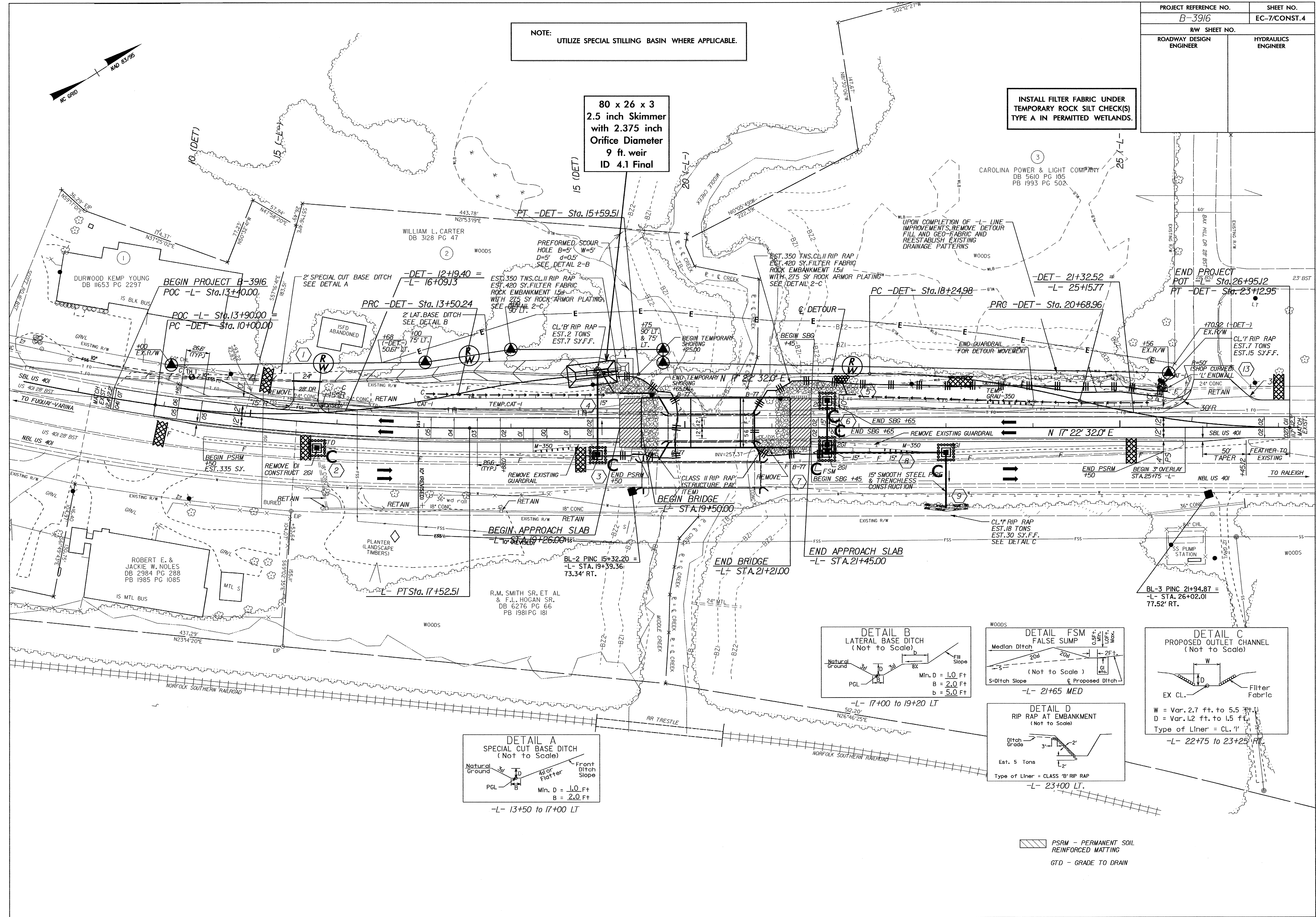
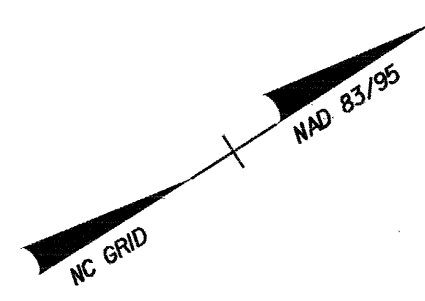
# DETOUR

PROJECT REFERENCE NO. B-3916	SHEET NO. EC-7/CONST.4
R/W SHEET NO.	
ROADWAY DESIGN ENGINEER	HYDRAULICS ENGINEER

NOTE: UTILIZE SPECIAL STILLING BASIN WHERE APPLICABLE.

80 x 26 x 3  
2.5 inch Skimmer  
with 2.375 inch  
Orifice Diameter  
9 ft. weir  
ID 4.1 Final

INSTALL FILTER FABRIC UNDER  
TEMPORARY ROCK SILT CHECK(S)  
TYPE A IN PERMITTED WETLANDS.



PSRM - PERMANENT SOIL REINFORCED MATTING  
GTD - GRADE TO DRAIN