

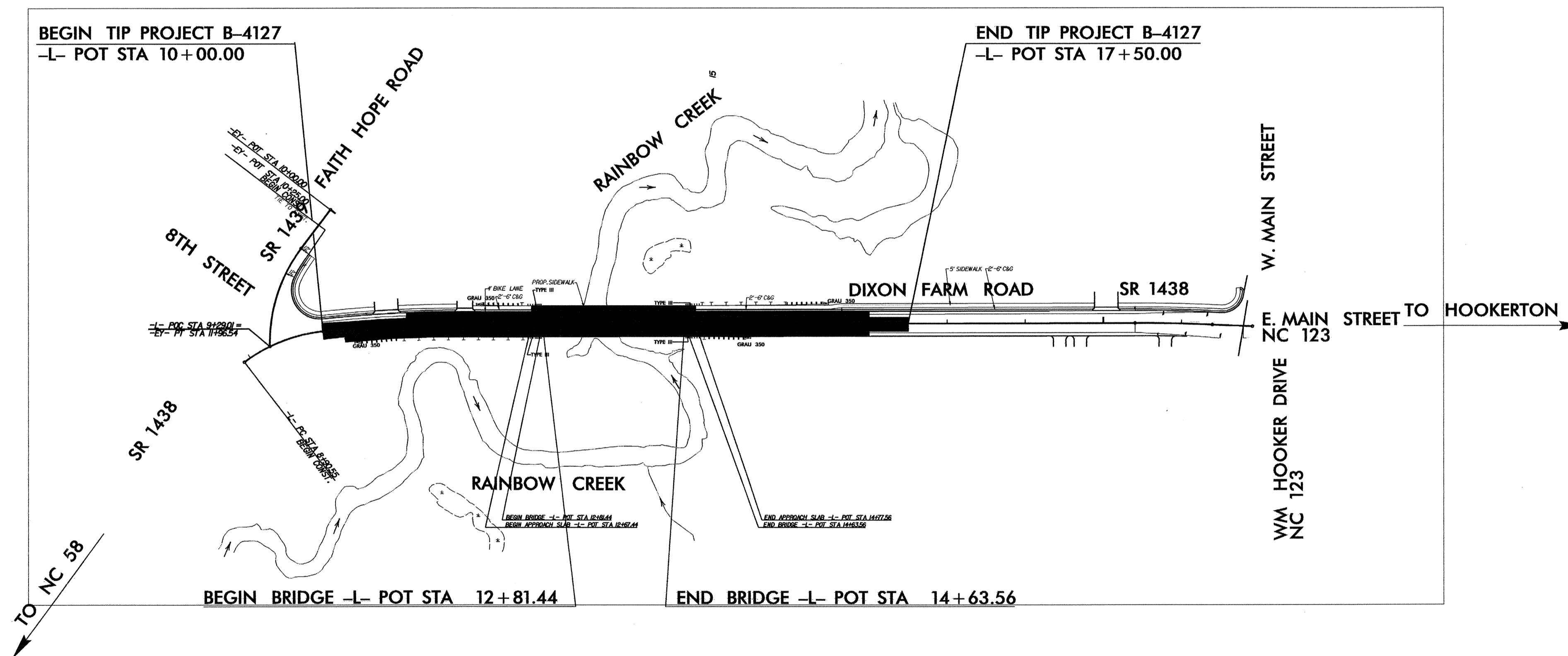
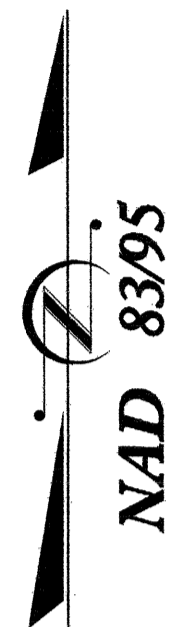
TIP PROJECT: B-4127

STATE OF NORTH CAROLINA
DIVISION OF HIGHWAYS

PLAN FOR PROPOSED
HIGHWAY EROSION CONTROL

GREENE COUNTY

**LOCATION: BRIDGE NO. 43 OVER RAINBOW CREEK
ON SR 1438**
**TYPE OF WORK: GRADING, DRAINAGE, PAVING, AND
STRUCTURE**



STATE	STATE PROJECT REFERENCE NO.	SHEET NO.	TOTAL SHEETS
N.C.	B-4127	EC-1	
STATE PROJ. NO.	F.A. PROJ. NO.	DESCRIPTION	

EROSION AND SEDIMENT CONTROL MEASURES

Std. #	Description	Symbol
	Streambank Reforestation.....	
1630.03	Temporary Silt Ditch.....	
1630.05	Temporary Diversion.....	
1605.01	Temporary Silt Fence.....	
1606.01	Special Sediment Control Fence.....	
1622.01	Temporary Berms and Slope Drains.....	
1630.01	Riser Basin.....	
1630.02	Silt Basin Type B.....	
1633.01	Temporary Rock Silt Check Type-A.....	
	Temporary Rock Silt Check Type-B.....	
1634.01	Temporary Rock Sediment Dam Type-A.....	
1634.02	Temporary Rock Sediment Dam Type-B.....	
1635.01	Rock Pipe Inlet Sediment Trap Type-A.....	
1635.02	Rock Pipe Inlet Sediment Trap Type-B.....	
1630.04	Stilling Basin.....	
	Rock Inlet Sediment Trap:	
1632.01	Type A.....	
1632.02	Type B.....	
1632.03	Type C.....	
	Skimmer Basin.....	
	Tiered Skimmer Basin.....	

**THIS PROJECT CONTAINS
EROSION CONTROL PLANS
FOR CLEARING AND
GRUBBING PHASE OF
CONSTRUCTION.**

**THIS PROJECT HAS
BEEN DESIGNED TO
SENSITIVE WATERSHED
STANDARDS.**

**ENVIRONMENTALLY
SENSITIVE AREA(S) EXIST
ON THIS PROJECT**
*Refer To E. C. Special Provisions
for Special Considerations.*

GRAPHIC SCALE

0

PLANS

0

PROFILE (HORIZONTAL)

0

PROFILE (VERTICAL)

ROADSIDE ENVIRONMENTAL UNIT
DIVISION OF HIGHWAYS
STATE OF NORTH CAROLINA

Prepared In the Office of:
ROADSIDE ENVIRONMENTAL UNIT
1 South Wilmington St.
Raleigh, NC 27611
2006 STANDARD SPECIFICATIONS

Roadway Standard Drawings

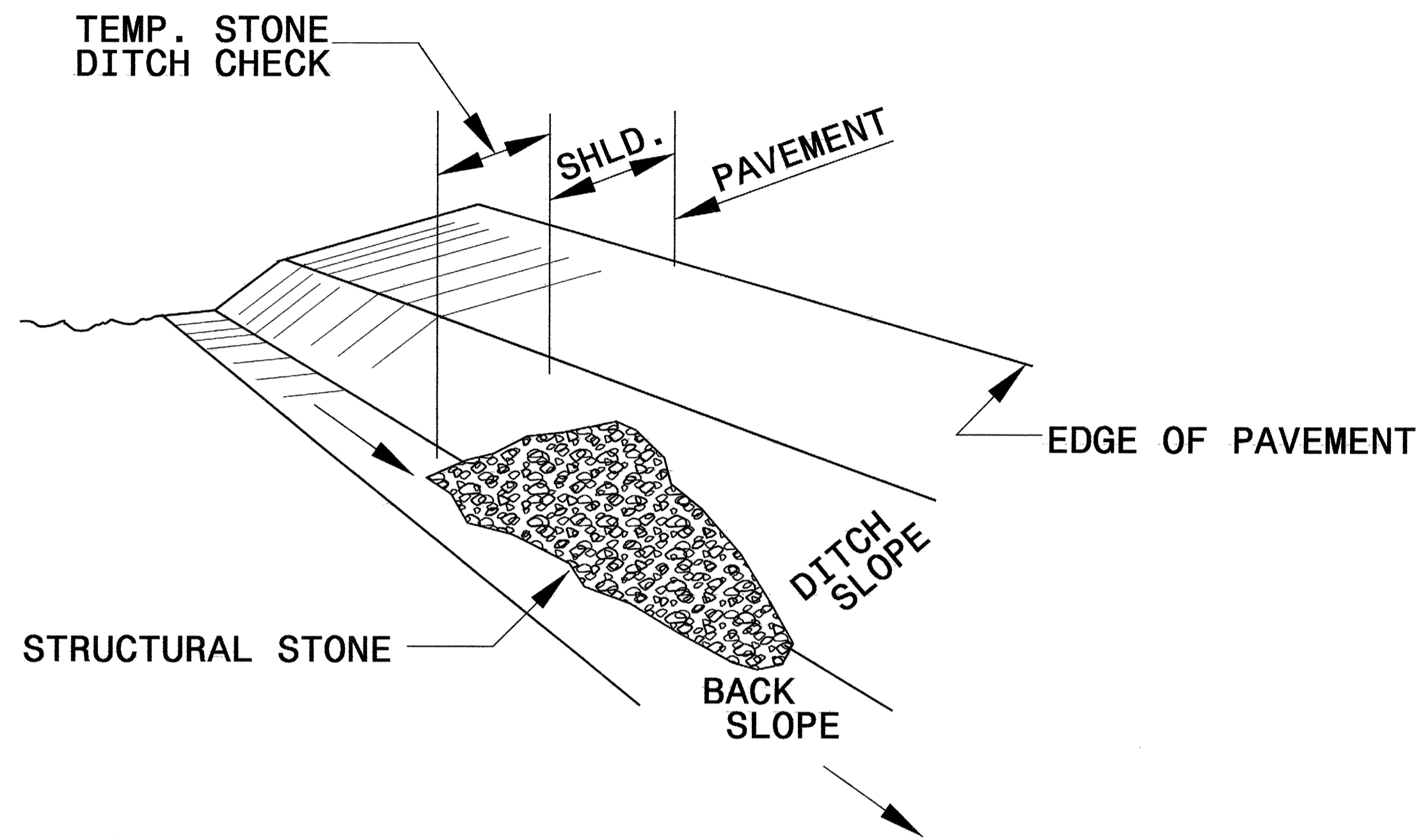
The following roadway english standards as appear in "Roadway Standard Drawings"- Roadway Design Unit - N. C. Department of Transportation - Raleigh, N. C., dated July 18, 2006 and the latest revision thereto are applicable to this project and by reference hereby are considered a part of these plans.

1605.01 Temporary Silt Fence	1622.01 Temporary Berms and Slope Drains
1606.01 Special Sediment Control Fence	1632.02 Rock Inlet Sediment Trap Type B
1607.01 Gravel Construction Entrance	1633.01 Temporary Rock Silt Check Type A

n:\state\07\FEB-2007\1324\1\REV\021803\design\b4127_rdg_tsh.ecr.dgn

PROJECT REFERENCE NO. B-4127	SHEET NO. EC-2
R/W SHEET NO.	
ROADWAY DESIGN ENGINEER	HYDRAULICS ENGINEER

TEMPORARY ROCK SILT CHECK TYPE 'B' DETAIL

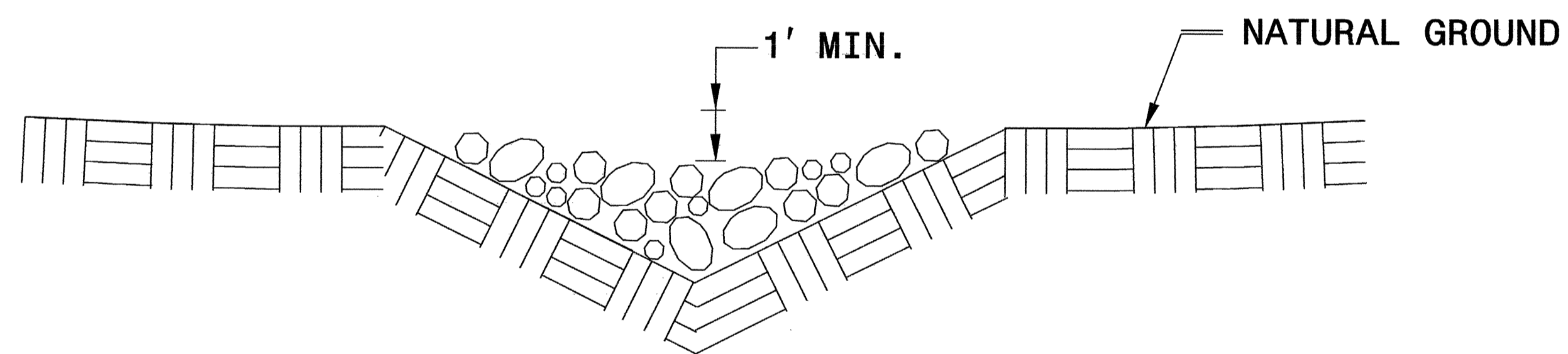


ISOMETRIC VIEW

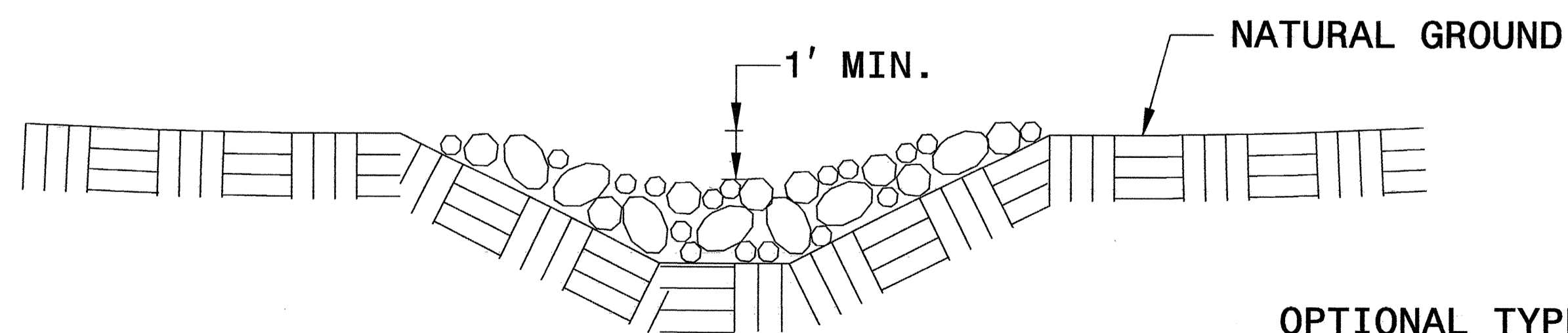
NOTES:

USE CLASS 'B' EROSION CONTROL STONE FOR STRUCTURAL STONE.

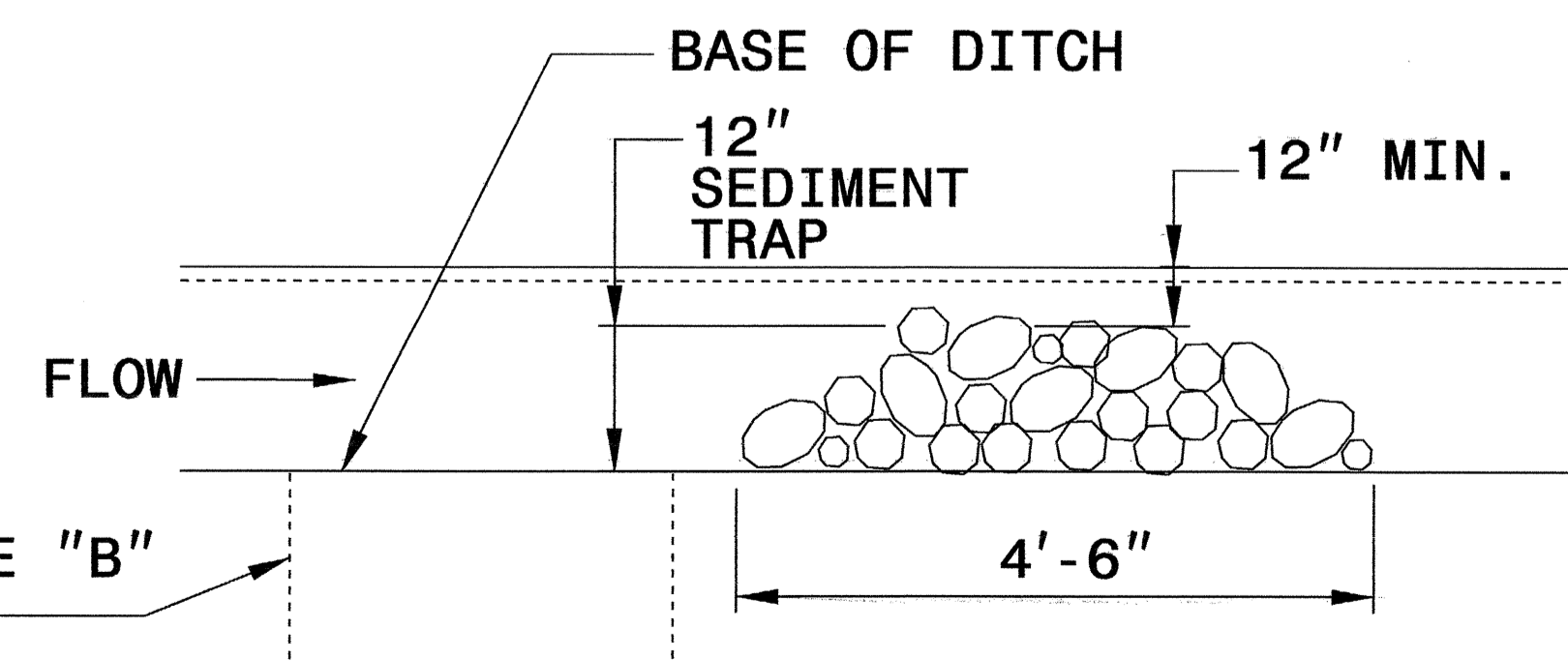
THE ENGINEER MAY DIRECT THE OPTION OF CLASS "A" STONE FOR SITES HAVING LESS THAN ONE (1) ACRE DRAINAGE AREA AND A DITCH GRADE LESS THAN 3%.



**CROSS SECTION
VEE DITCH**



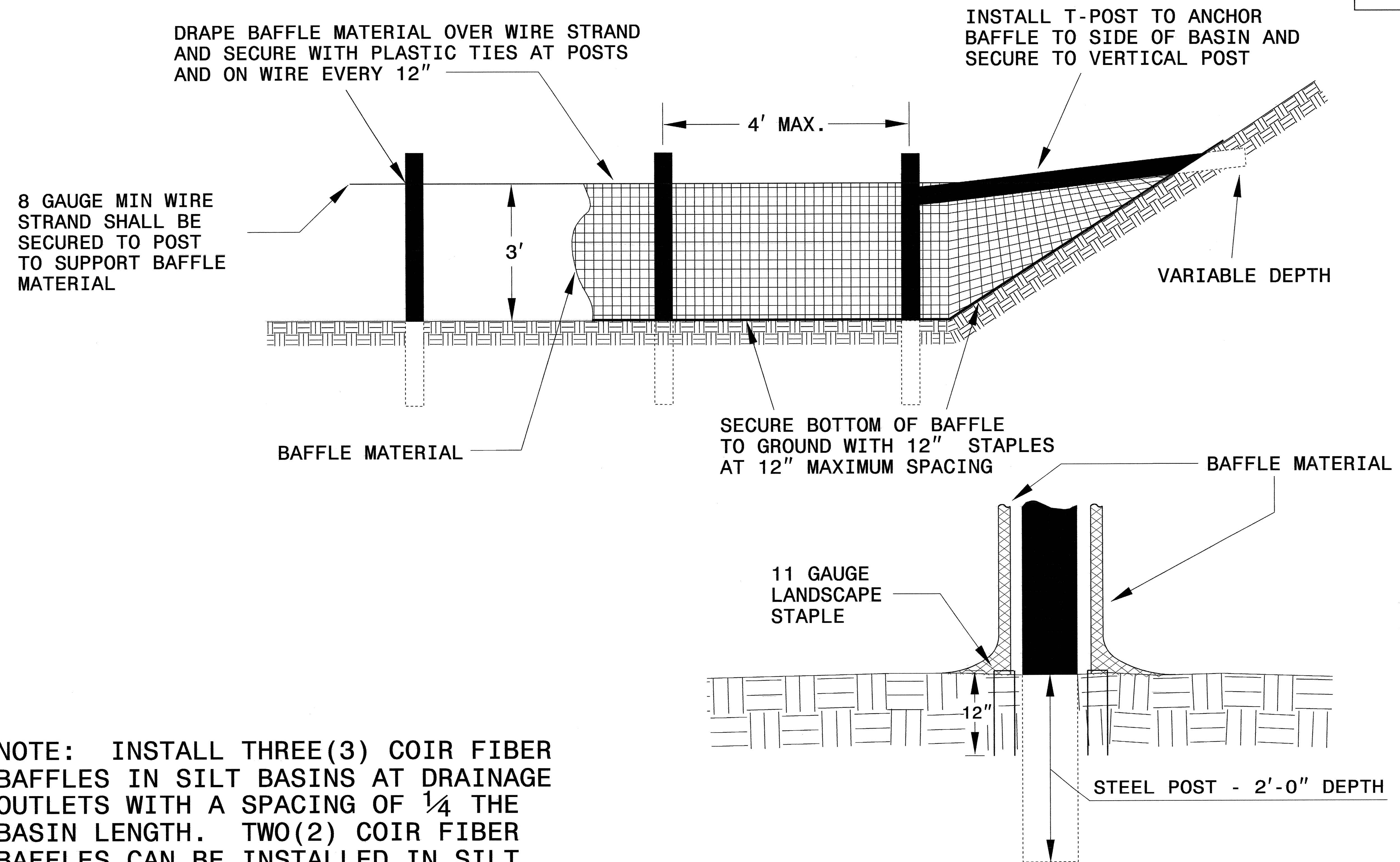
**CROSS SECTION
TRAPEZOIDAL DITCH**



ELEVATION VIEW

PROJECT REFERENCE NO. B-4127	SHEET NO. EC-2A
RW SHEET NO.	
ROADWAY DESIGN ENGINEER	HYDRAULICS ENGINEER

COIR FIBER BAFFLE DETAIL

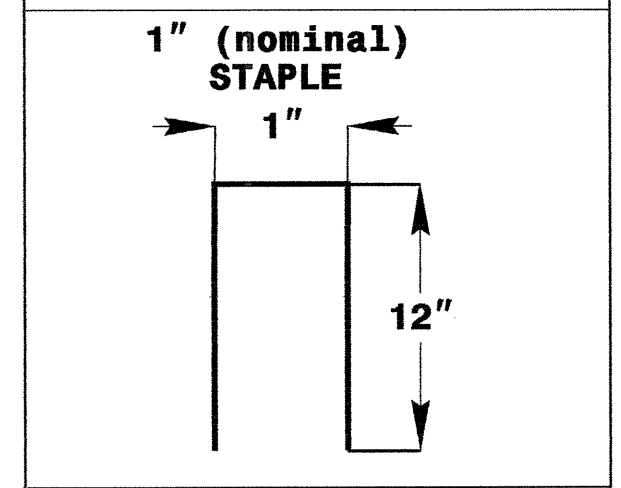
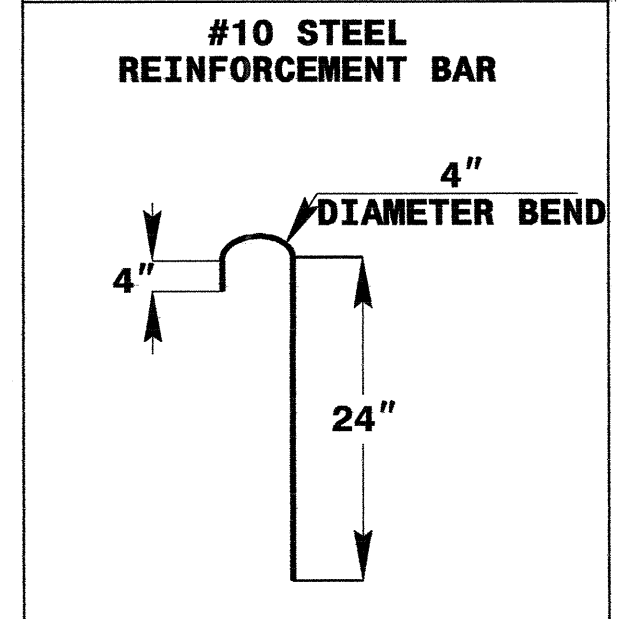
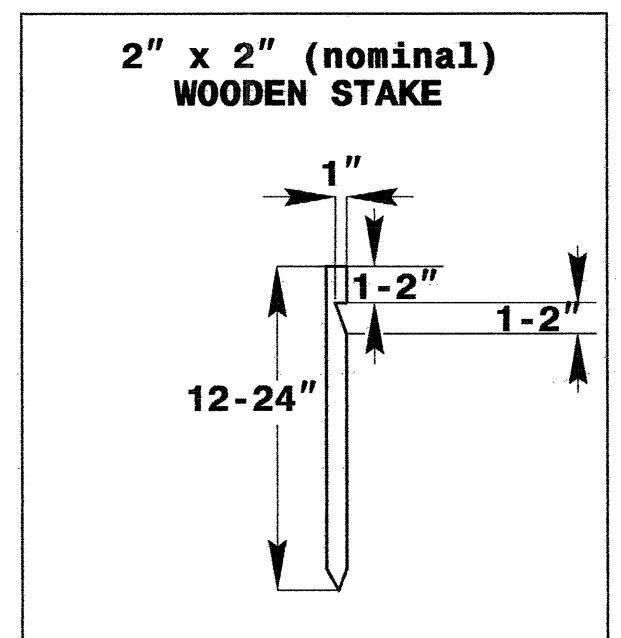
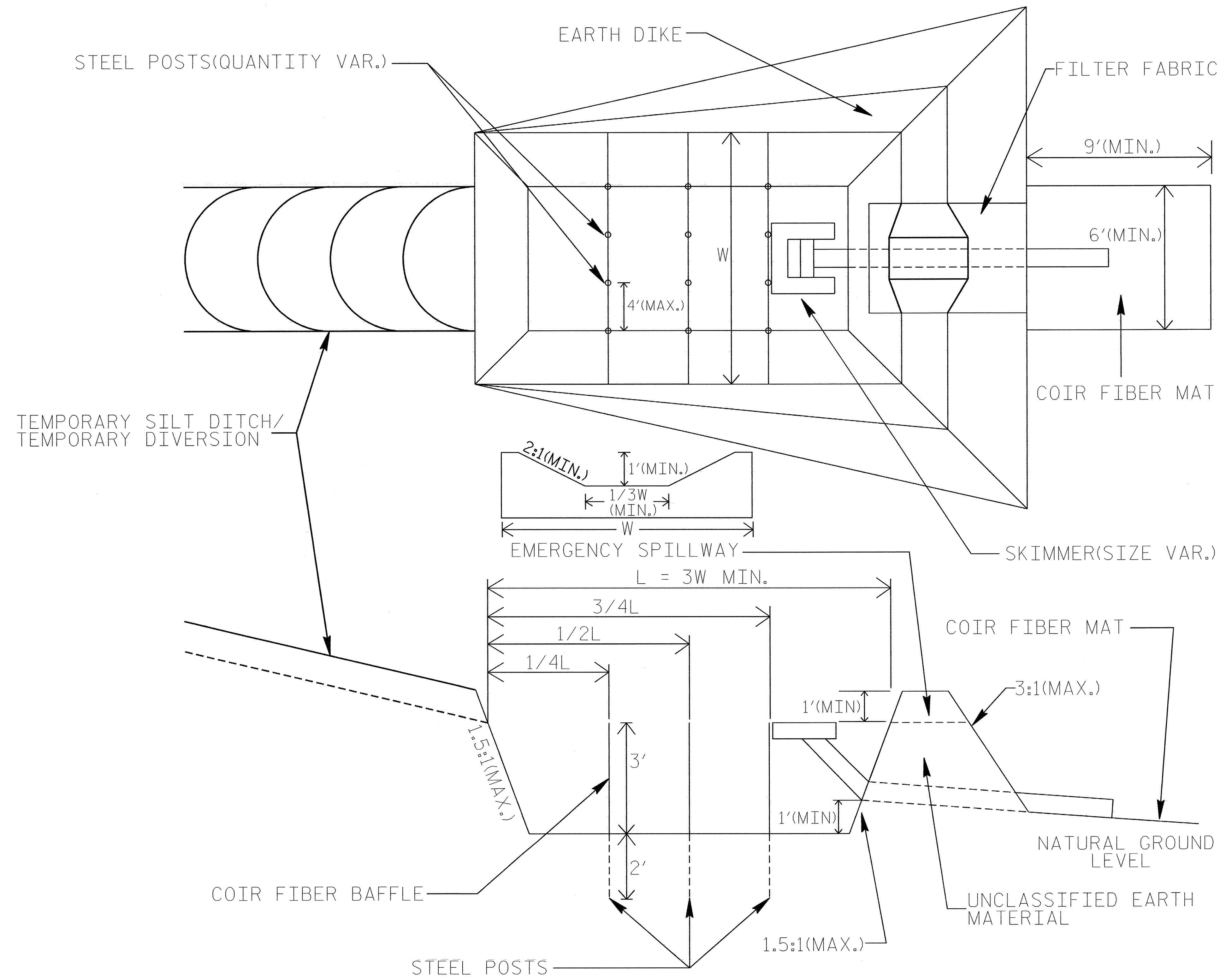


NOTE: INSTALL THREE (3) COIR FIBER BAFFLES IN SILT BASINS AT DRAINAGE OUTLETS WITH A SPACING OF $\frac{1}{4}$ THE BASIN LENGTH. TWO (2) COIR FIBER BAFFLES CAN BE INSTALLED IN SILT BASINS LESS THAN 20 FT. IN LENGTH WITH A SPACING OF $\frac{1}{3}$ THE BASIN LENGTH.

BAFFLE MATERIAL SHALL BE SECURED TO THE BOTTOM AND SIDES OF BASIN USING 12" LANDSCAPE STAPLES

SKIMMER BASIN WITH BAFFLES DETAIL

PROJECT REFERENCE NO. B-4127	SHEET NO. EC-2B
RW SHEET NO.	
ROADWAY DESIGN ENGINEER	HYDRAULICS ENGINEER



COIR FIBER MAT ANCHOR OPTIONS

PROJECT REFERENCE NO.		SHEET NO.	
B-4127		EC-3/CONST.4	
RW SHEET NO.			
ROADWAY DESIGN ENGINEER		HYDRAULICS ENGINEER	

CLEARING AND GRUBBING
EROSION CONTROL FOR
CONSTRUCTION SHEET 4

NOTE:
PLACE TEMPORARY ROCK SILT CHECKS TYPE - A AT
DRAINAGE OUTLETS.

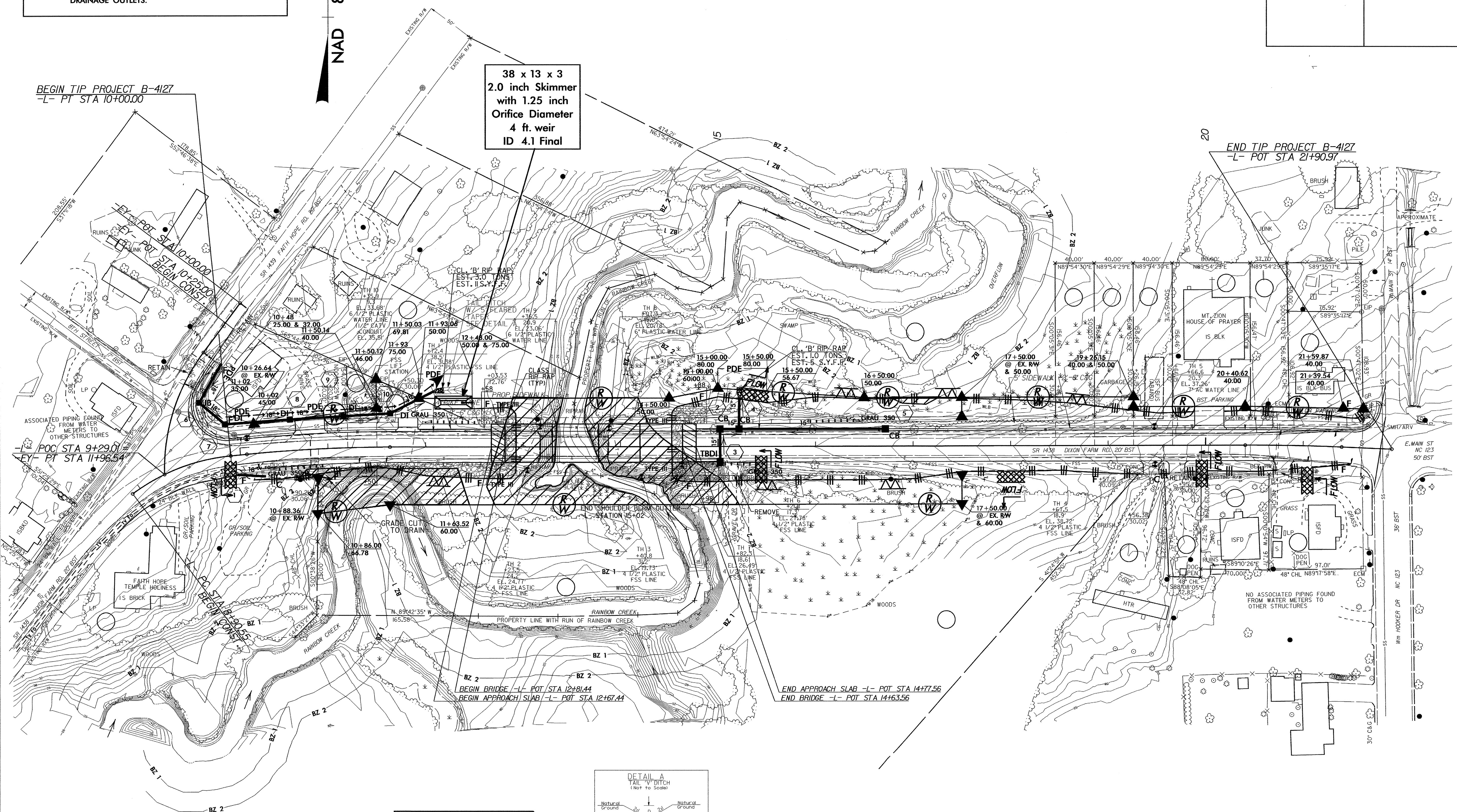
NOTE:
UTILIZE SKIMMER BASIN
AS STILLING BASIN WHERE APPLICABLE.

NAD 8395

38 x 13 x 3
2.0 inch Skimmer
with 1.25 inch
Orifice Diameter
4 ft. weir
ID 4.1 Final

BEGIN TIP PROJECT B-4127
-L- PT STA 10+00.00

END TIP PROJECT B-4127
-L- POT STA 21+90.97

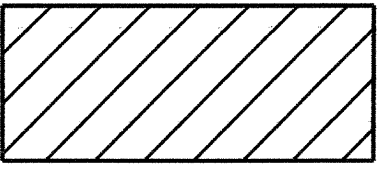


POC STA 9+29.01
FY- PT STA 11+96.64

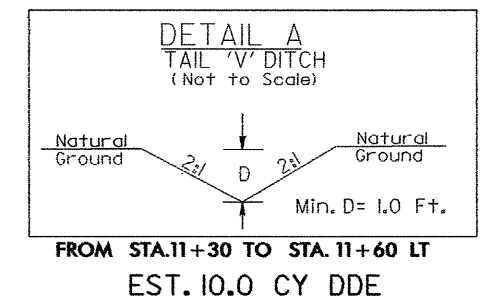
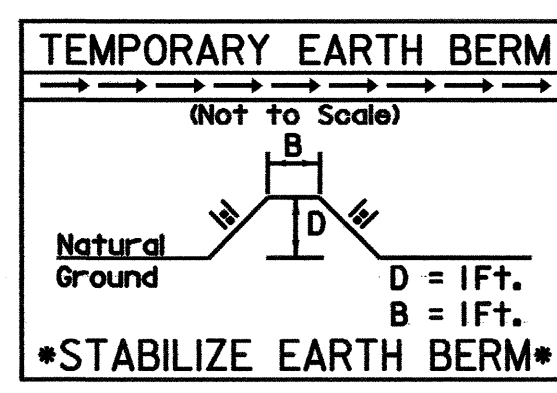
BEGIN BRIDGE -L- POT STA 12+81.44
BEGIN APPROACH SLAB -L- POT STA 12+67.44

END SHOULDER BERM GUTTER
STATION 15+02

END APPROACH SLAB -L- POT STA 14+77.56
END BRIDGE -L- POT STA 14+63.56



ENVIRONMENTALLY SENSITIVE AREA
SEE PROJECT SPECIAL PROVISIONS



8/17/99
 FILENAME: \$FILE\$
 DATE: 08/17/99
 PROJECT: B-4127 Environmental Design
 DRAWING: EC-3/CONST.4
 AT: RENW221502

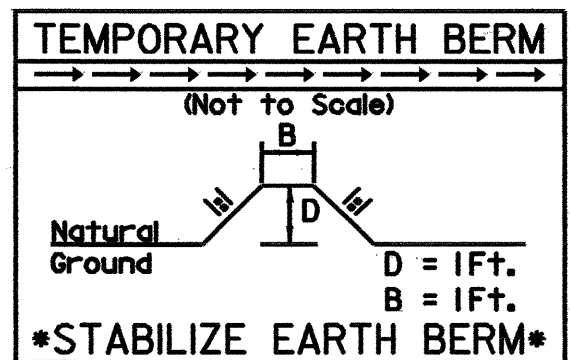
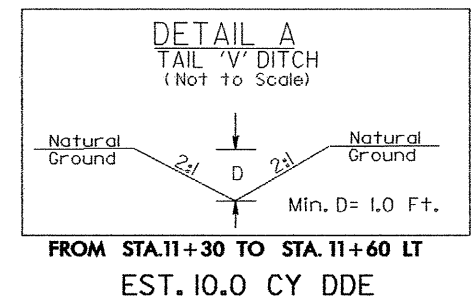
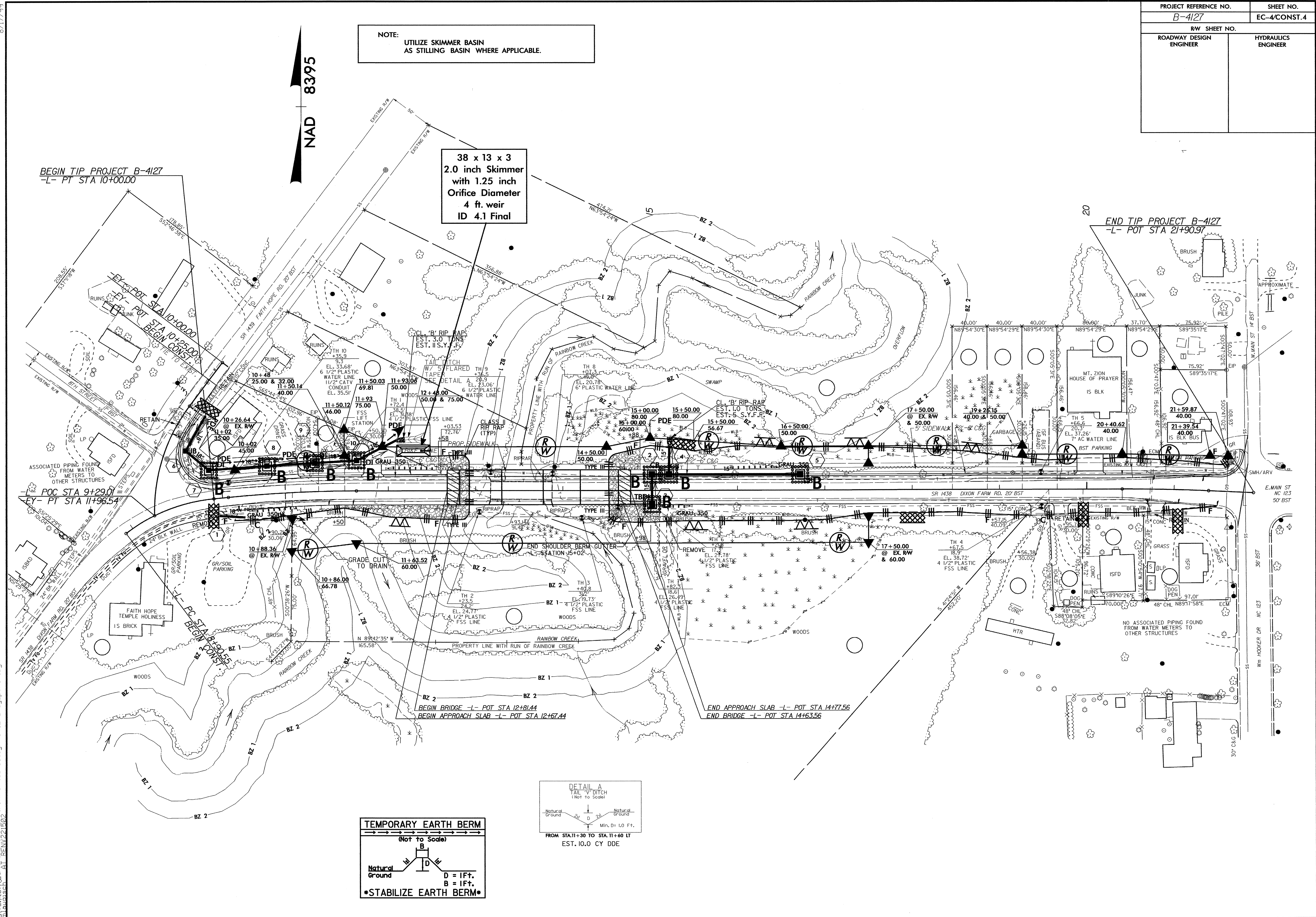
PROJECT REFERENCE NO. B-4127	SHEET NO. EC-4/CONST.4
RW SHEET NO.	
ROADWAY DESIGN ENGINEER	HYDRAULICS ENGINEER

NOTE:
UTILIZE SKIMMER BASIN
AS STILLING BASIN WHERE APPLICABLE.

38 x 13 x 3
2.0 inch Skimmer
with 1.25 inch
Orifice Diameter
4 ft. weir
ID 4.1 Final

BEGIN TIP PROJECT B-4127
-L- PT STA 10+00.00

END TIP PROJECT B-4127
-L- POT STA 21+90.97



8/17/99
 FILENAME: S:\FTL\433
 DATE: 08/17/99 10:23:16
 DRAWN BY: JLN
 CHECKED BY: JLN
 PROJECT: B-4127 (environmental)\design\b4127_rdu_psh04.dgn
 SHEET: EC-4/CONST.4
 AT: RENN221502