

STATE	STATE PROJECT REFERENCE NO.	SHEET NO.	TOTAL SHEETS
N.C.	B-3853	EC-1	
STATE PROJ. NO.	F.A. PROJ. NO.	DESCRIPTION	

STATE OF NORTH CAROLINA
DIVISION OF HIGHWAYS

PLAN FOR PROPOSED
HIGHWAY EROSION CONTROL

HALIFAX COUNTY

LOCATION: BRIDGE NO. 82 OVER MARSH SWAMP AND
APPROACHES ON NC 561

TYPE OF WORK: GRADING, PAVING, DRAINAGE, AND STRUCTURE

NAD 8395 NC GRID

EROSION AND SEDIMENT CONTROL MEASURES

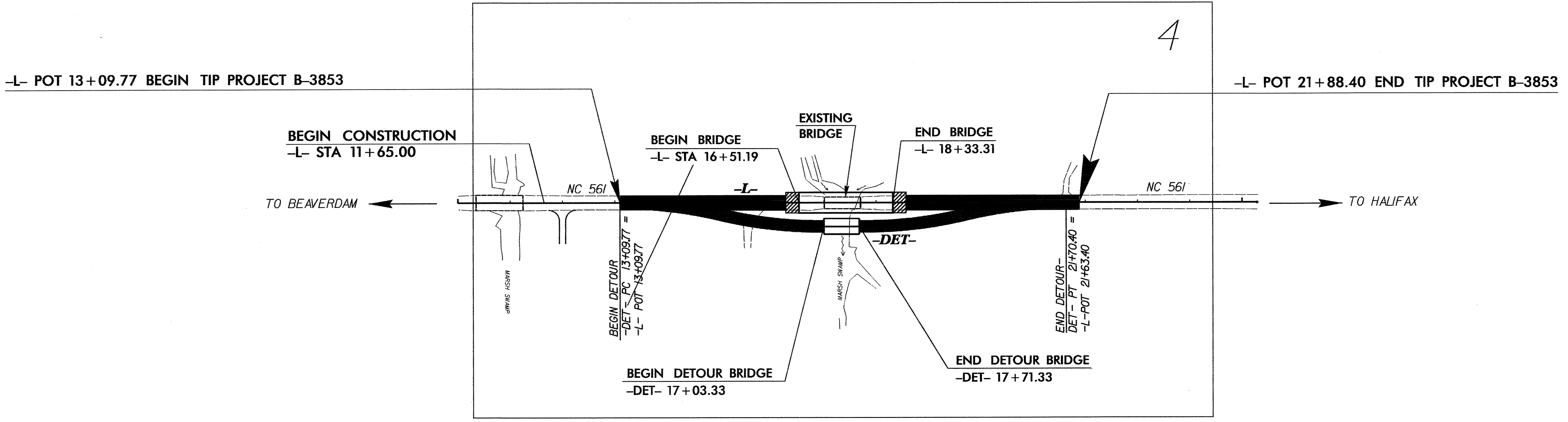
Std. #	Description	Symbol
	Streambank Reforestation	
1630.03	Temporary Silt Ditch	
1630.05	Temporary Diversion	
1605.01	Temporary Silt Fence	
1606.01	Special Sediment Control Fence	
1622.01	Temporary Berms and Slope Drains	
1630.01	Riser Basin	
1630.02	Silt Basin Type B	
1633.01	Temporary Rock Silt Check Type-A	
	Temporary Rock Silt Check Type-B	
1634.01	Temporary Rock Sediment Dam Type-A	
1634.02	Temporary Rock Sediment Dam Type-B	
1635.01	Rock Pipe Inlet Sediment Trap Type-A	
1635.02	Rock Pipe Inlet Sediment Trap Type-B	
1630.04	Stilling Basin	
	Rock Inlet Sediment Trap:	
1632.01	Type A	
1632.02	Type B	
1632.03	Type C	
	Skimmer Basin	
	Tiered Skimmer Basin	

THIS PROJECT CONTAINS
EROSION CONTROL PLANS
FOR CLEARING AND
GRUBBING PHASE OF
CONSTRUCTION.

THIS PROJECT HAS
BEEN DESIGNED TO
SENSITIVE WATERSHED
STANDARDS.

ENVIRONMENTALLY
SENSITIVE AREA(S) EXIST
ON THIS PROJECT

Refer To E. C. Special Provisions
for Special Considerations.



2B (DETOUR)

TIP PROJECT: B-3853

GRAPHIC SCALE

0

PLANS

0

PROFILE (HORIZONTAL)

0

PROFILE (VERTICAL)

ROADSIDE ENVIRONMENTAL UNIT
DIVISION OF HIGHWAYS
STATE OF NORTH CAROLINA

Prepared In the Office of:
ROADSIDE ENVIRONMENTAL UNIT
1 South Wilmington St.
Raleigh, NC 27611
2006 STANDARD SPECIFICATIONS

Roadway Standard Drawings
The following roadway english standards as appear in "Roadway Standard Drawings"- Roadway Design Unit - N. C. Department of Transportation - Raleigh, N. C., dated July 18, 2006 and the latest revision thereto are applicable to this project and by reference hereby are considered a part of these plans.

1605.01 Temporary Silt Fence	1630.06 Special Stilling Basin
1607.01 Gravel Construction Entrance	1632.03 Rock Inlet Sediment Trap Type C
1622.01 Temporary Berms and Slope Drains	1633.01 Temporary Rock Silt Check Type A
1630.05 Temporary Diversion	

22-DEC-2006 14:02
c:\proje\ecsb\3853\environmental\design\bb3853.rdj-tah.dgn
in:\a1\REV21415

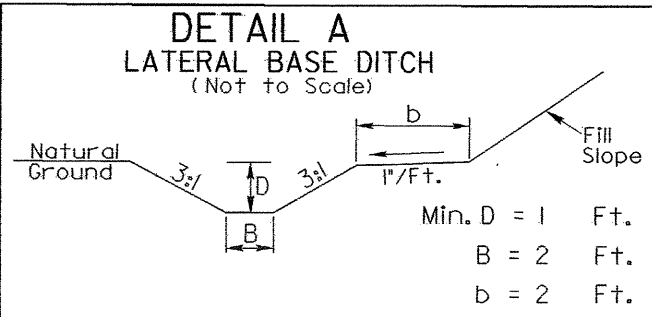
PROJECT REFERENCE NO. B-3853	SHEET NO. EC-2/CONST.4
RW SHEET NO.	
ROADWAY DESIGN ENGINEER	HYDRAULICS ENGINEER

CLEARING AND GRUBBING
EROSION CONTROL FOR
CONSTRUCTION SHEET 4

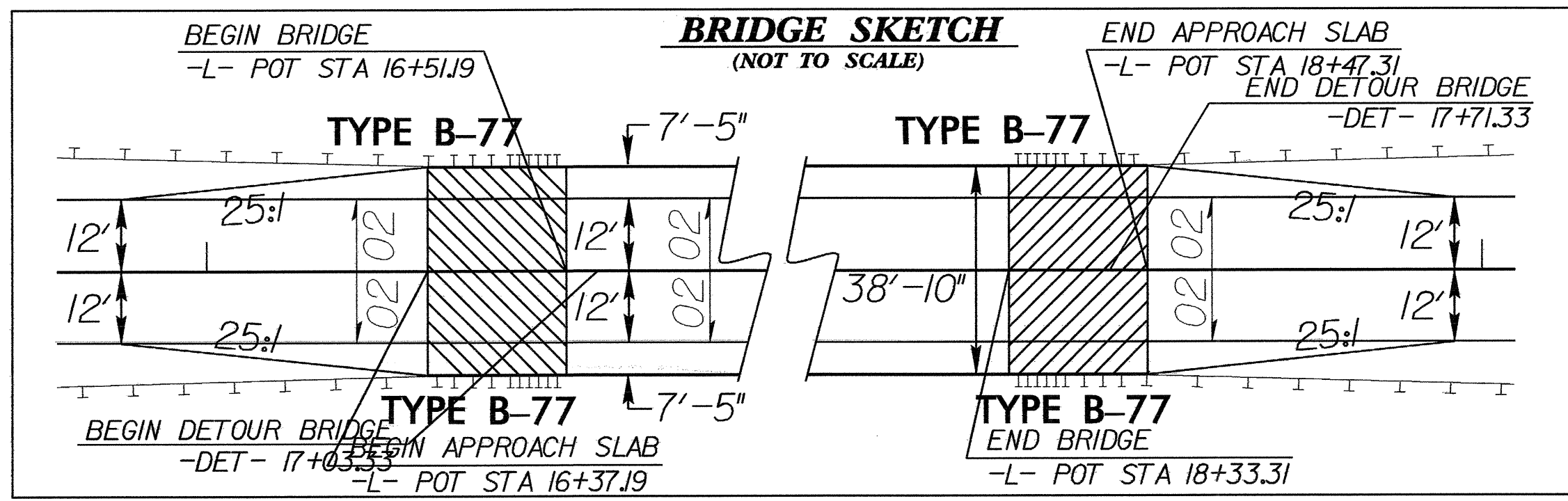
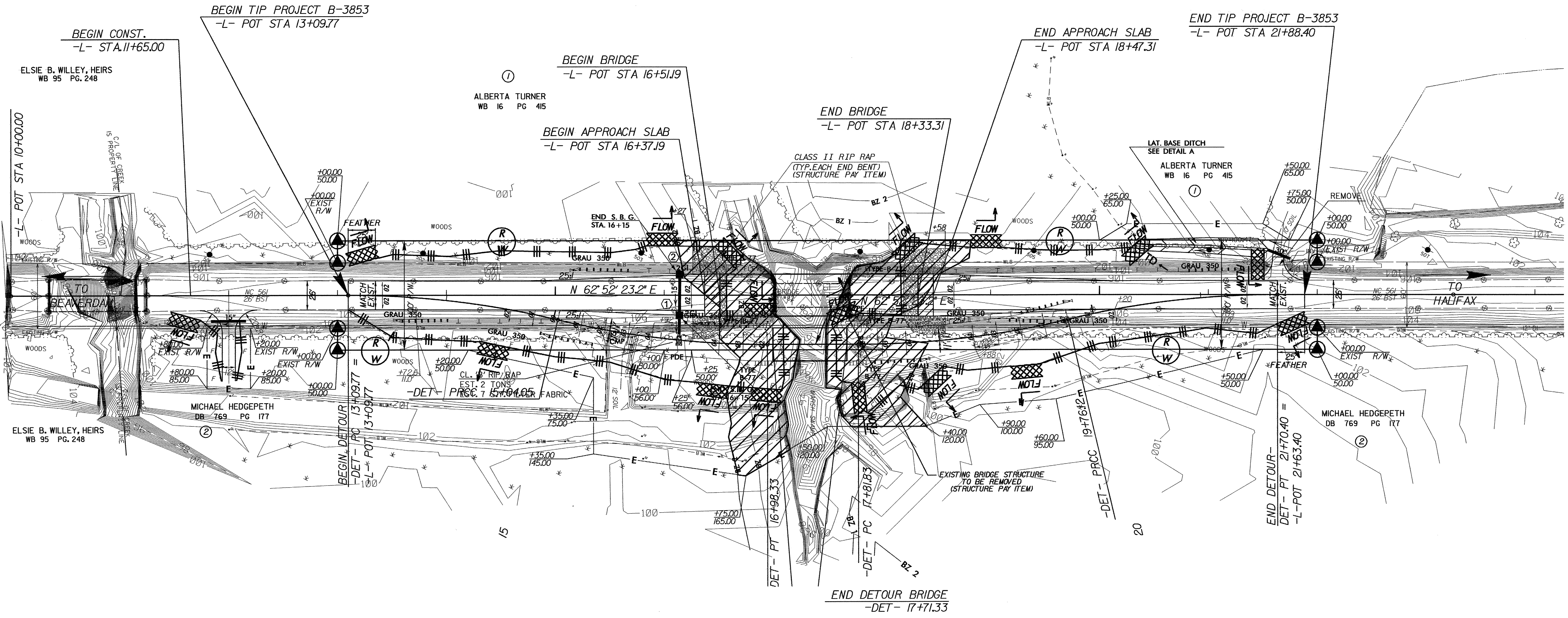
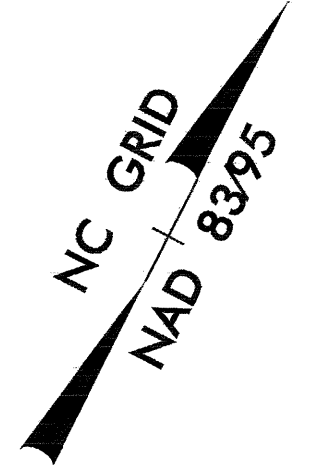
NOTE:
UTILIZE SPECIAL STILLING BASIN WHERE APPLICABLE

NOTE:
PLACE TEMPORARY ROCK SEDIMENT DAMS TYPE - B
AND TEMPORARY ROCK SILT CHECKS TYPE - A AT
DRAINAGE OUTLETS.

 ENVIRONMENTALLY SENSITIVE AREA
SEE PROJECT SPECIAL PROVISIONS



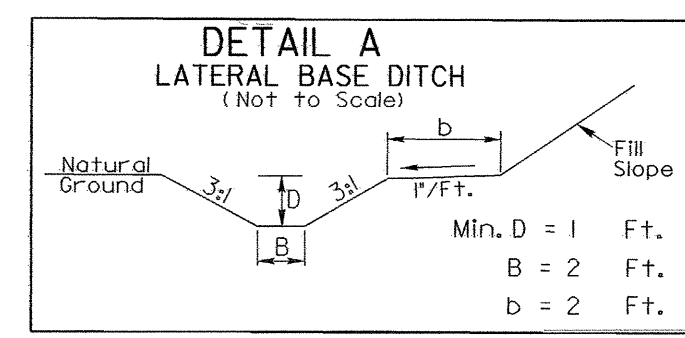
-L- STA 20+32 TO 31+55 LT
EST. DDE = 75 CY
EST. FF = 175 SY



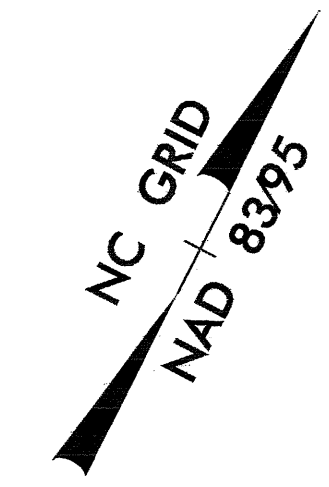
8/17/99
22-DEC-2006 14:03
S:\t\p\p\o\ec-2\3853\environmental\design\b3853_rdy_psh04_c9.dgn
AL BERNARDI

8/17/99

NOTE:
UTILIZE SPECIALL STILLING BASIN WHERE APPLICABLE

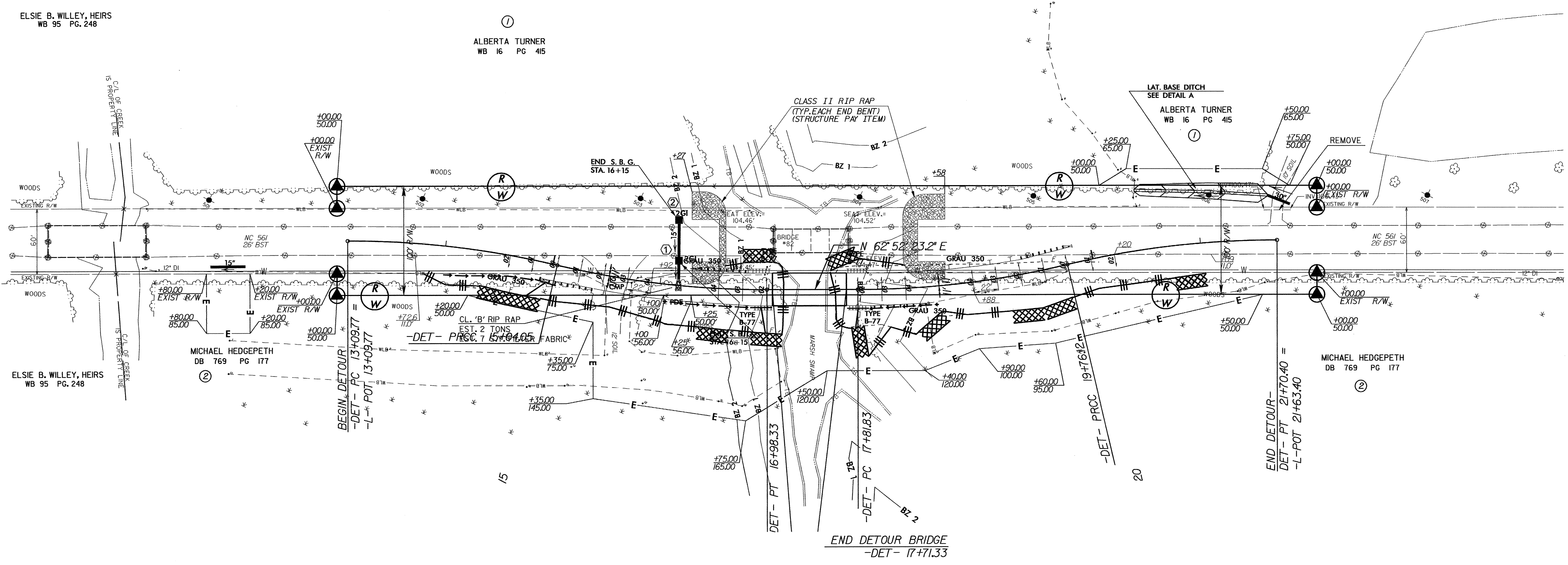


-L- STA 20+32 TO 31+55 LT
EST. DDE = 75 CY
EST. FF = 175 SY



PROJECT REFERENCE NO. B-3853	SHEET NO. EC-3/CONST.2B
ROADWAY DESIGN ENGINEER	HYDRAULICS ENGINEER

DETOUR

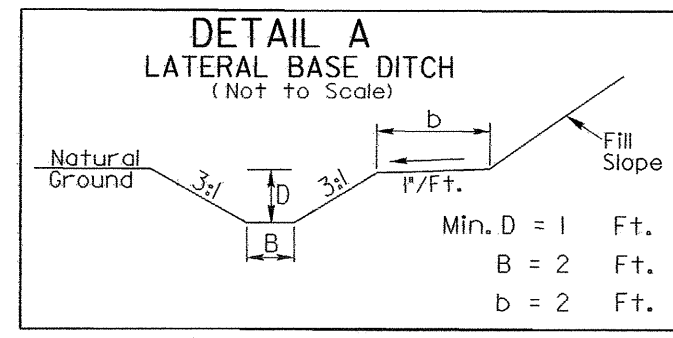
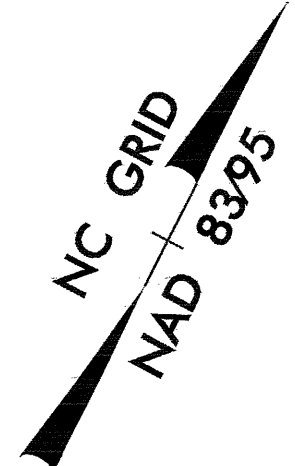


22-DEC-2006 14:03
g:\spprojects\ec-3\environmental\design\3853_rdy_psh04-detour-.dgn
Author: DJ

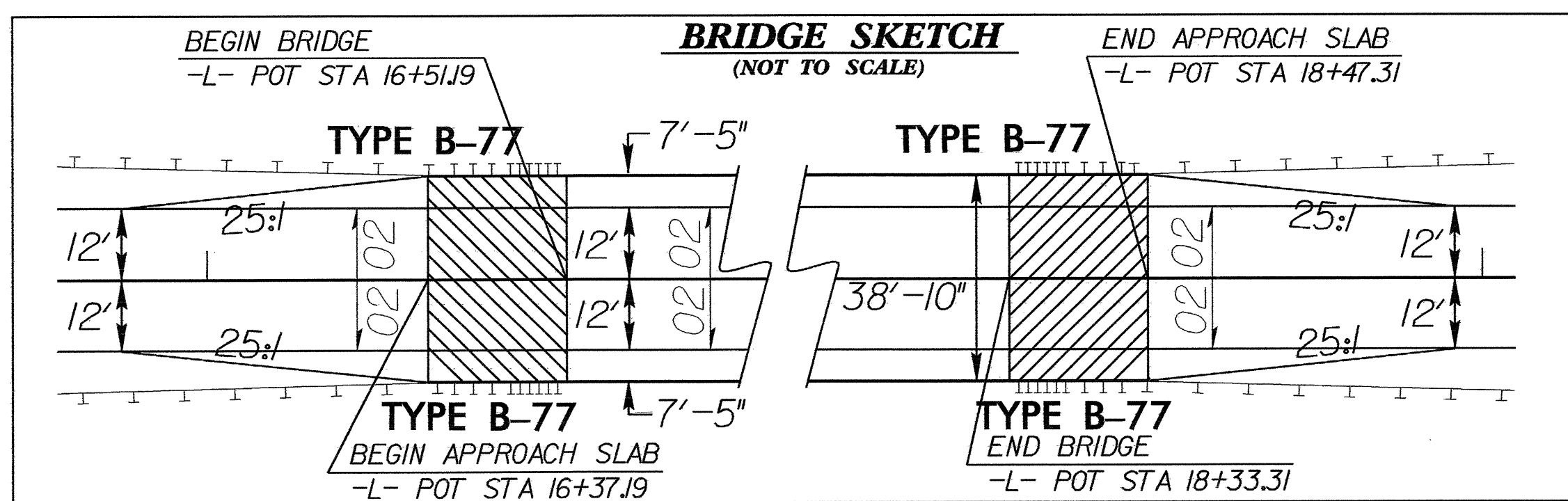
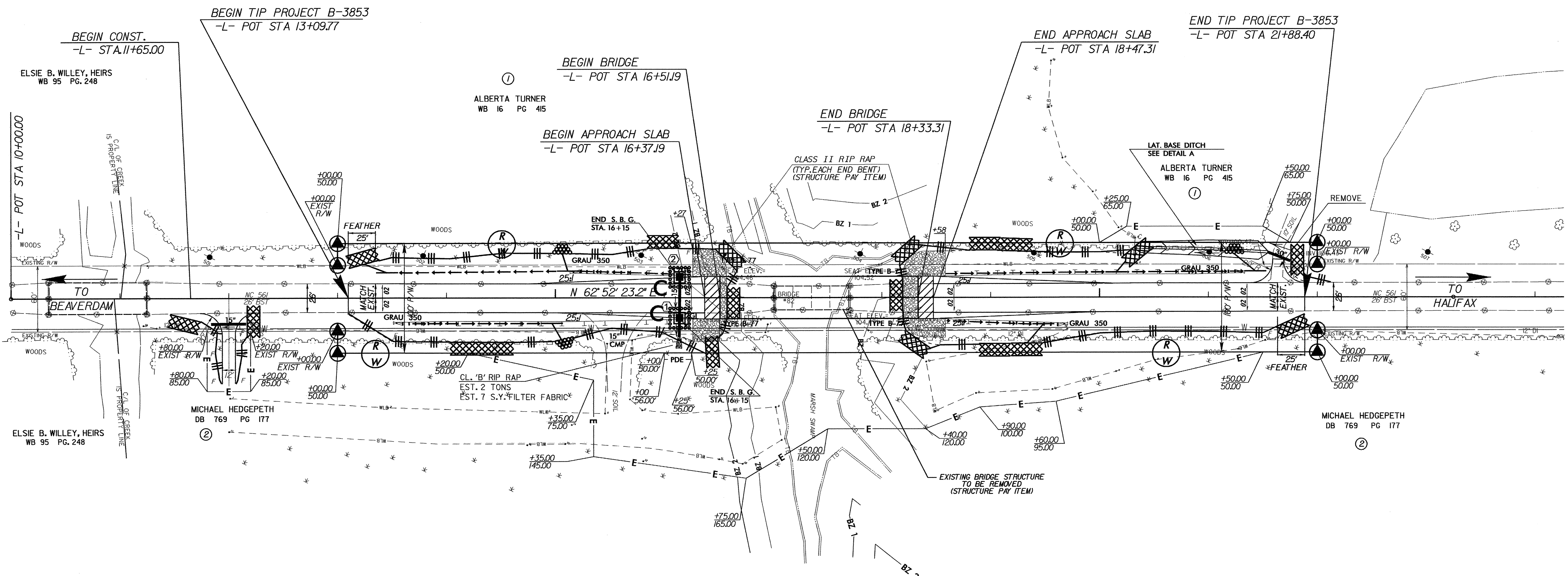
8/17/99

NOTE: UTILIZE SPECIAL STILLING BASIN WHERE APPLICABLE

PROJECT REFERENCE NO. B-3853	SHEET NO. EC-4/CONST.4
RW SHEET NO.	
ROADWAY DESIGN ENGINEER	HYDRAULICS ENGINEER



-L- STA 20+32 TO 31+55 LT
EST. DDE = 75 CY
EST. FF = 175 SY



22-DEC-2006 14:04
g:\appr\o\ec\B-3853\environmental\design\b3853_rdy_psh04-1-.dgn
User: B-3853