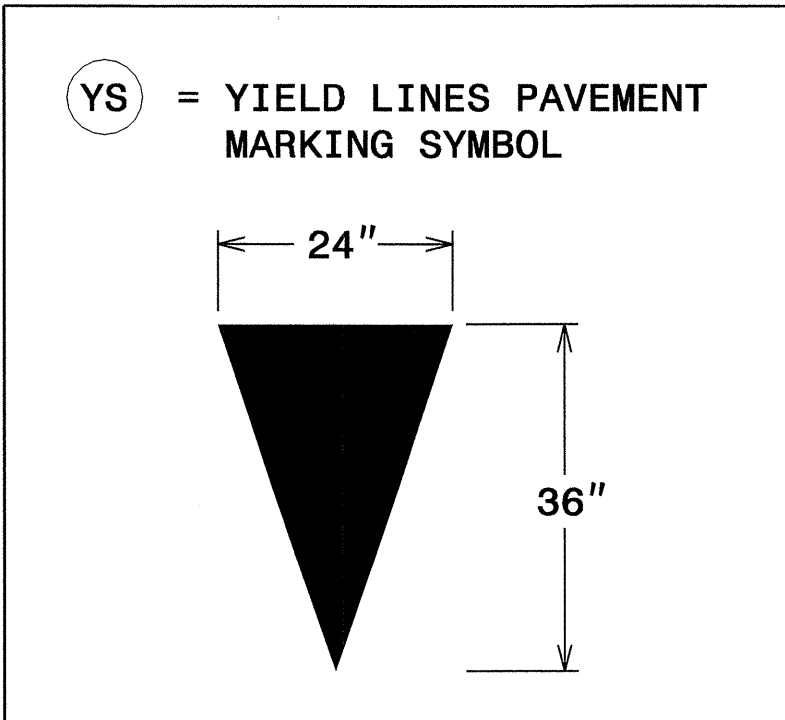
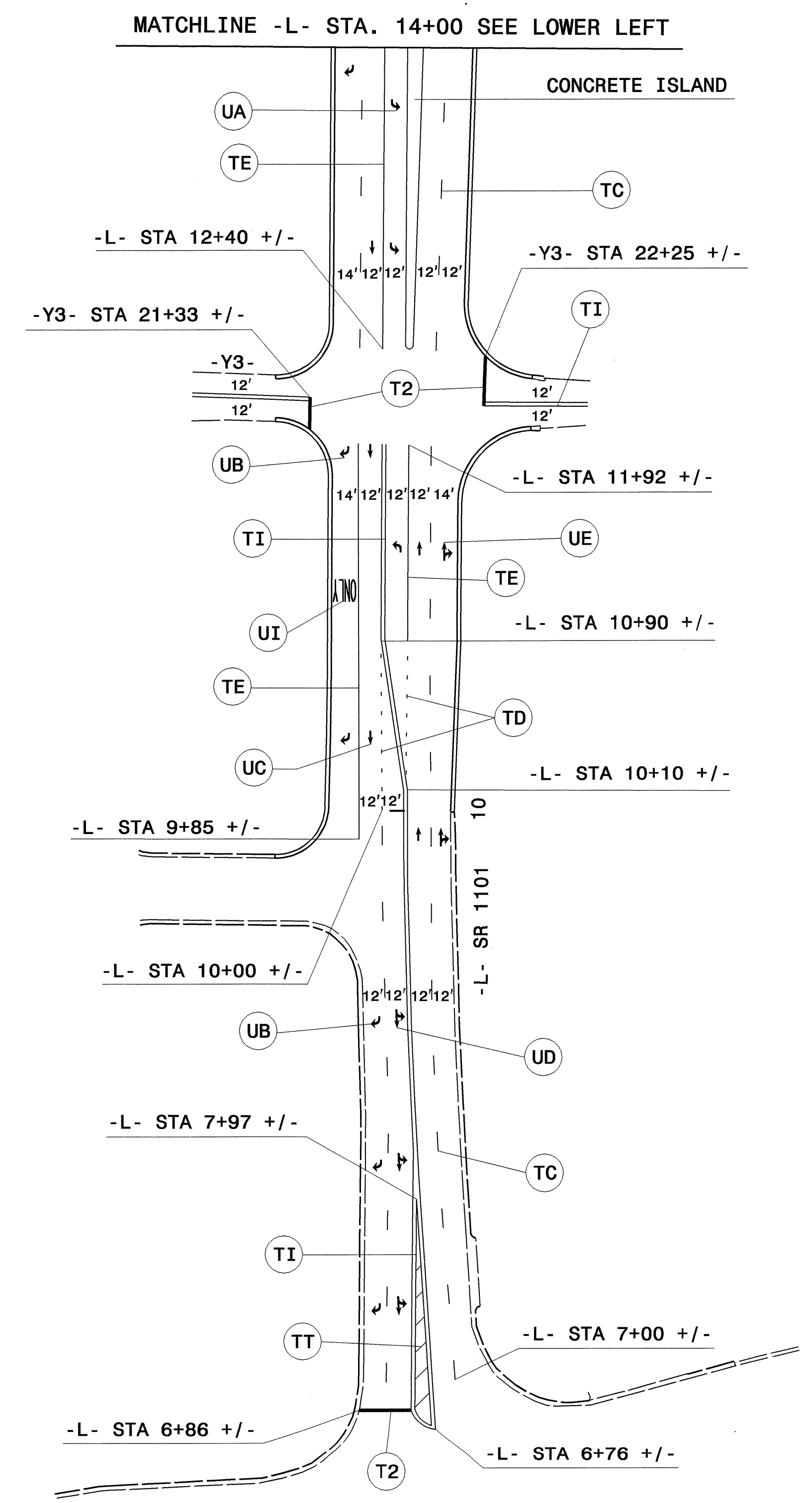
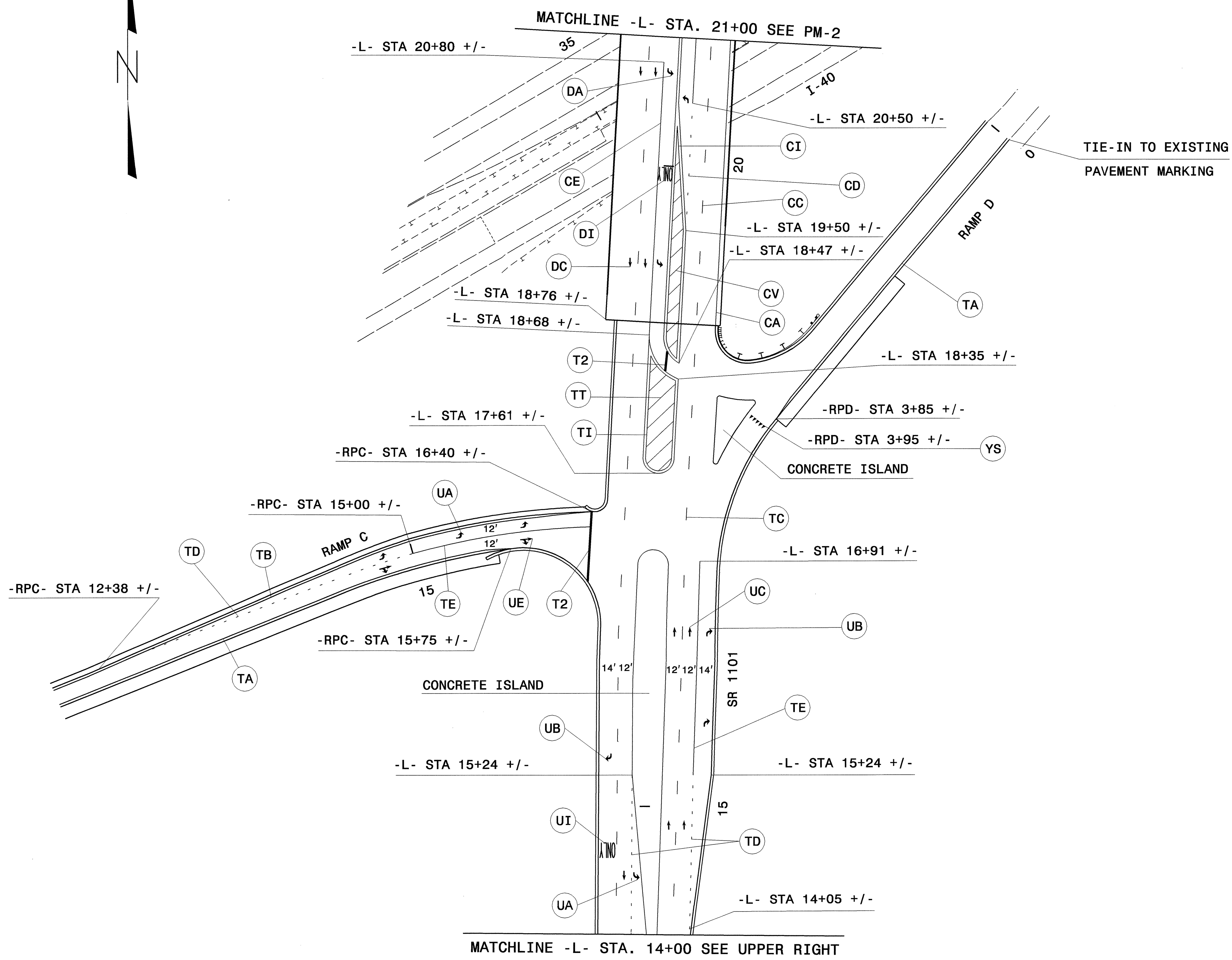


NOTES:

- PAVEMENT MARKINGS, SYMBOLS, AND CHARACTERS ARE TO BE MARKED ACCORDING TO ROADWAY STANDARD DRAWINGS UNLESS OTHERWISE NOTED IN THE PLANS.
- PAVEMENT MARKERS ARE TO BE SPACED ACCORDING TO THE ROADWAY STANDARD DRAWINGS.
- SEE PM-1 FOR PAVEMENT MARKING SYMBOL DESCRIPTION.

13-AUG-2004 07:15
 C:\UCS\MyXTE\Projects\I2102-PM02.dgn
 WJCS AT 11:03:47

APPROVED: <i>M. McQuinn</i> DATE: <i>2/16/04</i>		PAVEMENT MARKING PLANS						
	SCALE: NONE							
	DATE: 03/04							
	DWG. BY: WAJ							
	DESIGN BY: WAJ							
REVIEWED BY: CBH	<table border="1"> <thead> <tr> <th colspan="2">REVISIONS</th> </tr> </thead> <tbody> <tr> <td> </td> <td> </td> </tr> <tr> <td> </td> <td> </td> </tr> </tbody> </table>		REVISIONS					
REVISIONS								
<table border="1"> <tr> <td>CADD FILE</td> <td>I2102 PM2.DGN</td> </tr> </table>		CADD FILE	I2102 PM2.DGN					
CADD FILE	I2102 PM2.DGN							



NOTES:

- PAVEMENT MARKINGS, SYMBOLS, AND CHARACTERS ARE TO BE MARKED ACCORDING TO ROADWAY STANDARD DRAWINGS UNLESS OTHERWISE NOTED IN THE PLANS.
- PAVEMENT MARKERS ARE TO BE SPACED ACCORDING TO THE ROADWAY STANDARD DRAWINGS.
- SEE PM-1 FOR PAVEMENT MARKING SYMBOL DESCRIPTION.

APPROVED: *M. McSwain* DATE: *2/10/04*

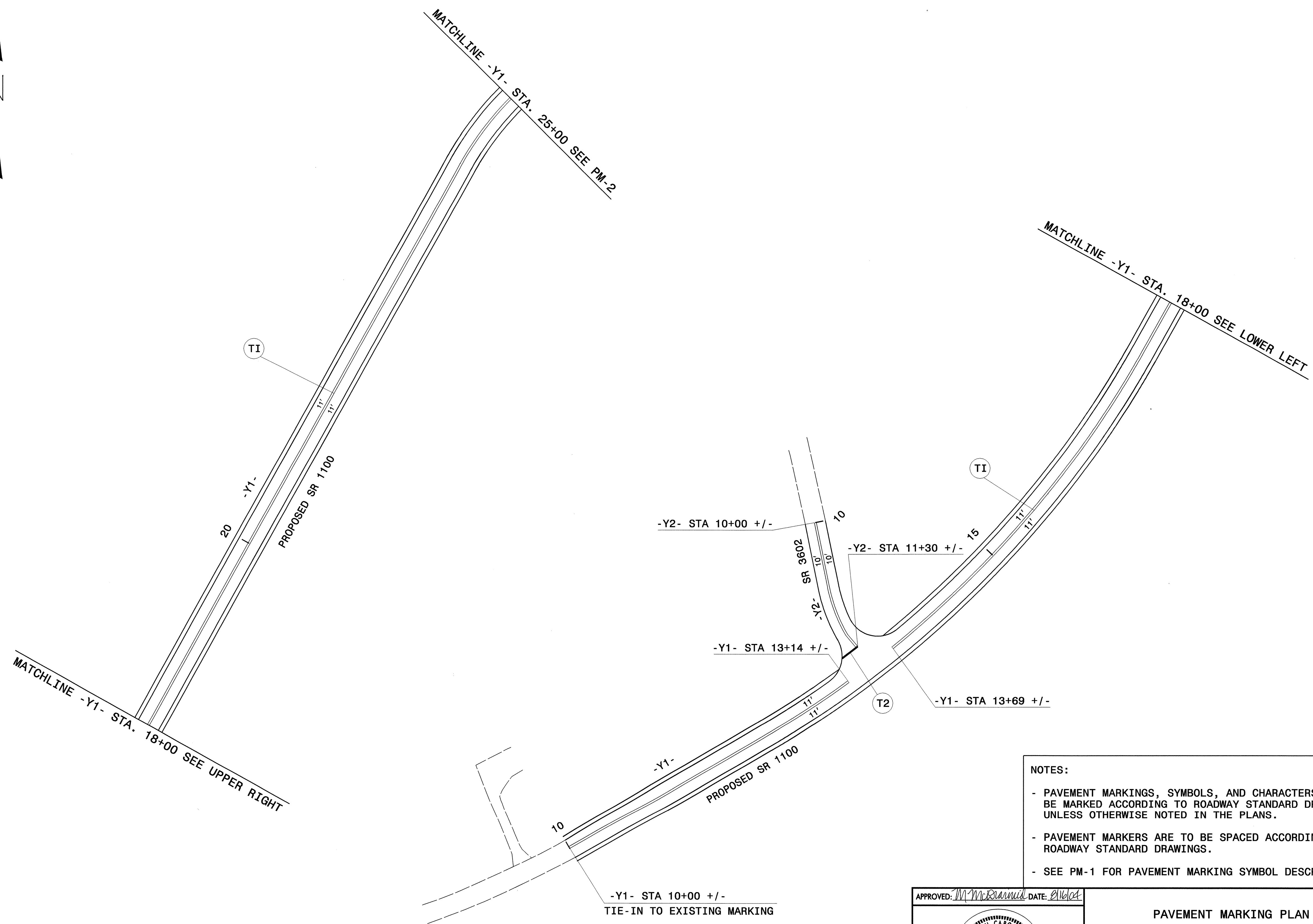
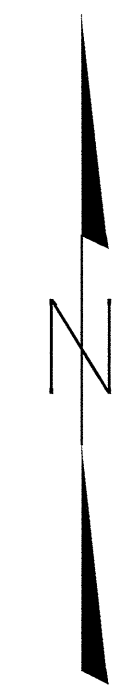
SEAL

PAVEMENT MARKING PLAN

SCALE: NONE		REVISIONS
DATE: 03/04		
DWG. BY: WAJ		
DESIGN BY: WAJ		
REVIEWED BY: CBH		

CARD FILE 12102 PM3.DGN

12-AUG-2004 17:41
 C:\CP\Wd\Xte\p\p\p\12102-PM03.dgn
 WJ0008 AT 121023479



NOTES:

- PAVEMENT MARKINGS, SYMBOLS, AND CHARACTERS ARE TO BE MARKED ACCORDING TO ROADWAY STANDARD DRAWINGS UNLESS OTHERWISE NOTED IN THE PLANS.
- PAVEMENT MARKERS ARE TO BE SPACED ACCORDING TO THE ROADWAY STANDARD DRAWINGS.
- SEE PM-1 FOR PAVEMENT MARKING SYMBOL DESCRIPTION.

APPROVED: *M. McManis* DATE: *03/04*



PAVEMENT MARKING PLAN		REVISIONS
SCALE: NONE	DATE: 03/04	
DWG. BY: WAJ	DESIGN BY: WAJ	
REVIEWED BY: CBH		
		<small>CADD FILE 12102 PM4.DGN</small>

13-AUG-2004 07:13
 C:\CPA\Wojcik\12102_P\PM04.dgn
 WJOCBS AT 11:03:47