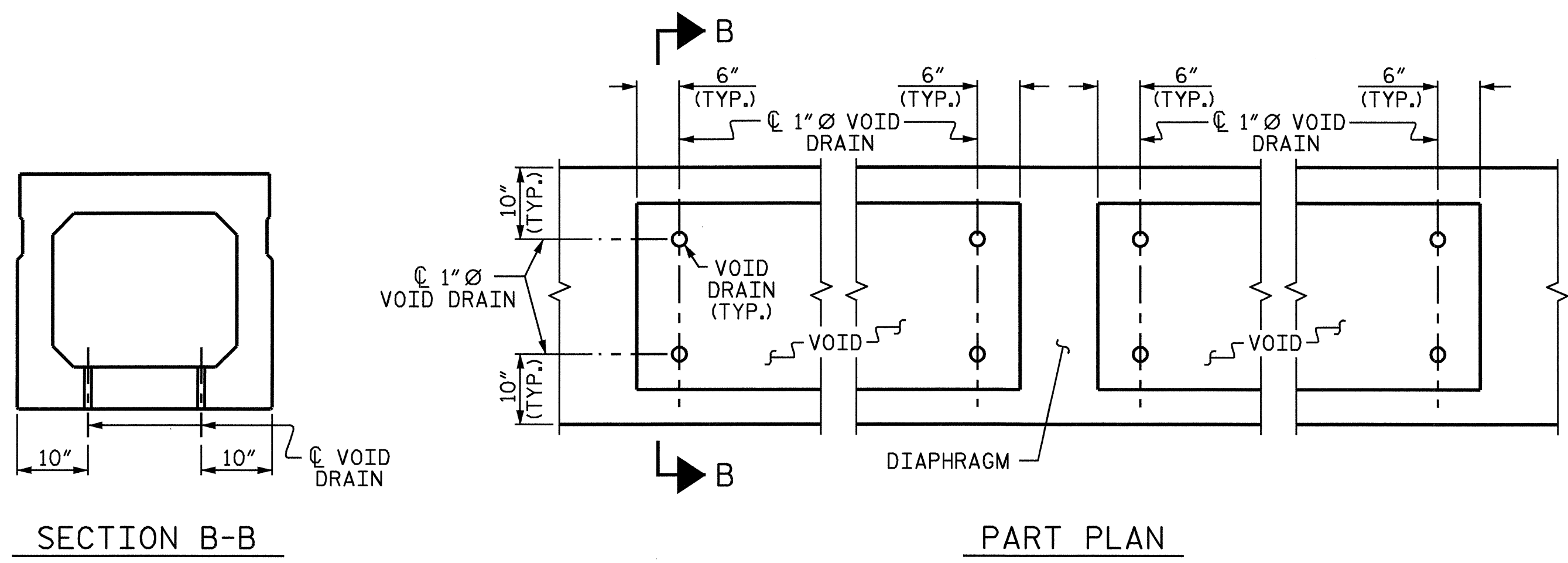


**GROUDED RECESS DETAIL AT
END OF POST-TENSIONED STRANDS
OF EXTERIOR BOX BEAM**

DOUBLE DIAPHRAGM DETAILS

*4 "S" BARS NOT SHOWN. *4 "S" BARS MAY BE SHIFTED SLIGHTLY TO CLEAR 2" Ø HOLE.



VOID DRAIN DETAILS

(DIMENSIONS SHOWN ARE TYPICAL FOR EACH VOID)

DEAD LOAD DEFLECTION AND CAMBER		
	3'-0" x 2'-9"	
	0.6" Ø L.R. STRAND	
CAMBER (BEAM ALONE IN PLACE)	SPAN "A"	
DEFLECTION DUE TO SUPERIMPOSED DEAD LOAD **		
FINAL CAMBER		

** INCLUDES FUTURE WEARING SURFACE

PROJECT NO. B-4319
WAYNE COUNTY
STATION: 16+29.00 -L-

SHEET 4 OF 5

STATE OF NORTH CAROLINA
DEPARTMENT OF TRANSPORTATION
RALEIGH
STANDARD
3'-0" X 2'-9"
PRESTRESSED CONCRETE
BOX BEAM UNIT



REVISIONS						SHEET NO.
NO.	BY:	DATE:	NO.	BY:	DATE:	S-7
1			3			TOTAL SHEETS 18
2			4			

ASSEMBLED BY : ZION J. RORIE DATE : 7/1/05
CHECKED BY : M. D. PISO DATE : 11/05
DRAWN BY : TLA 5/05 ADDED 7/11/05
CHECKED BY : GM 6/05