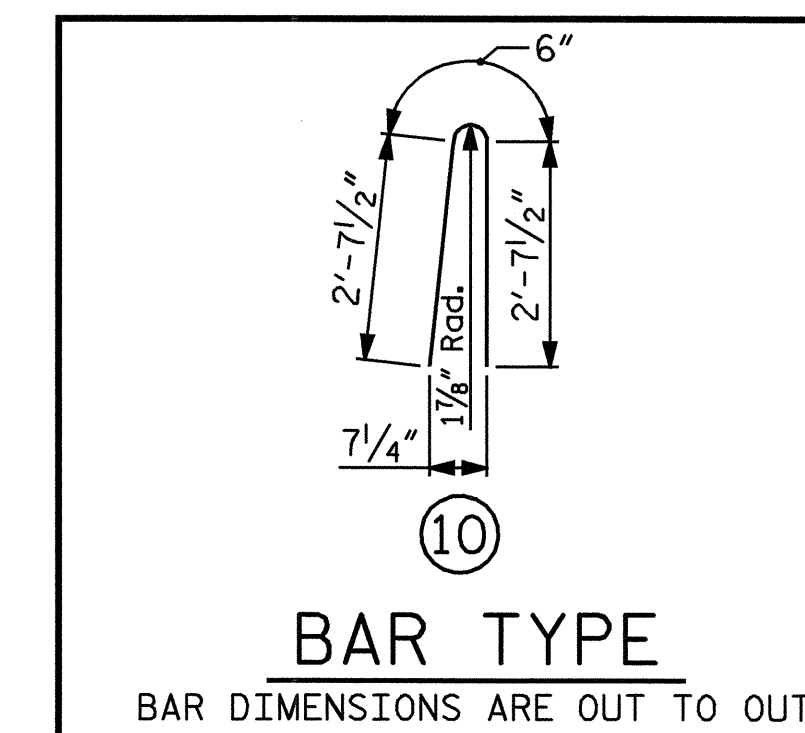


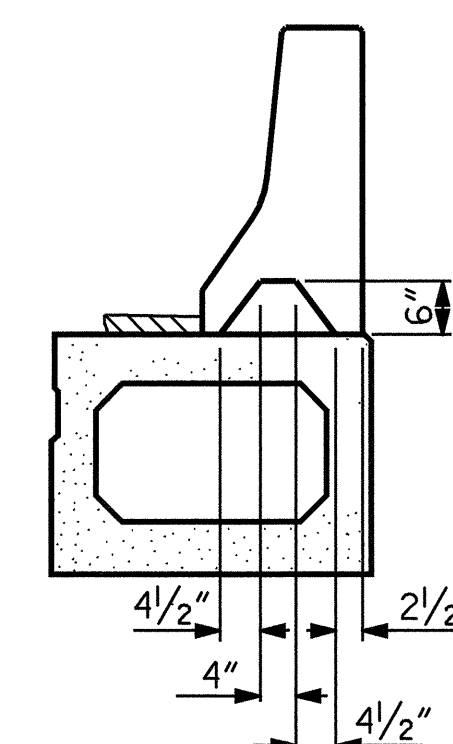
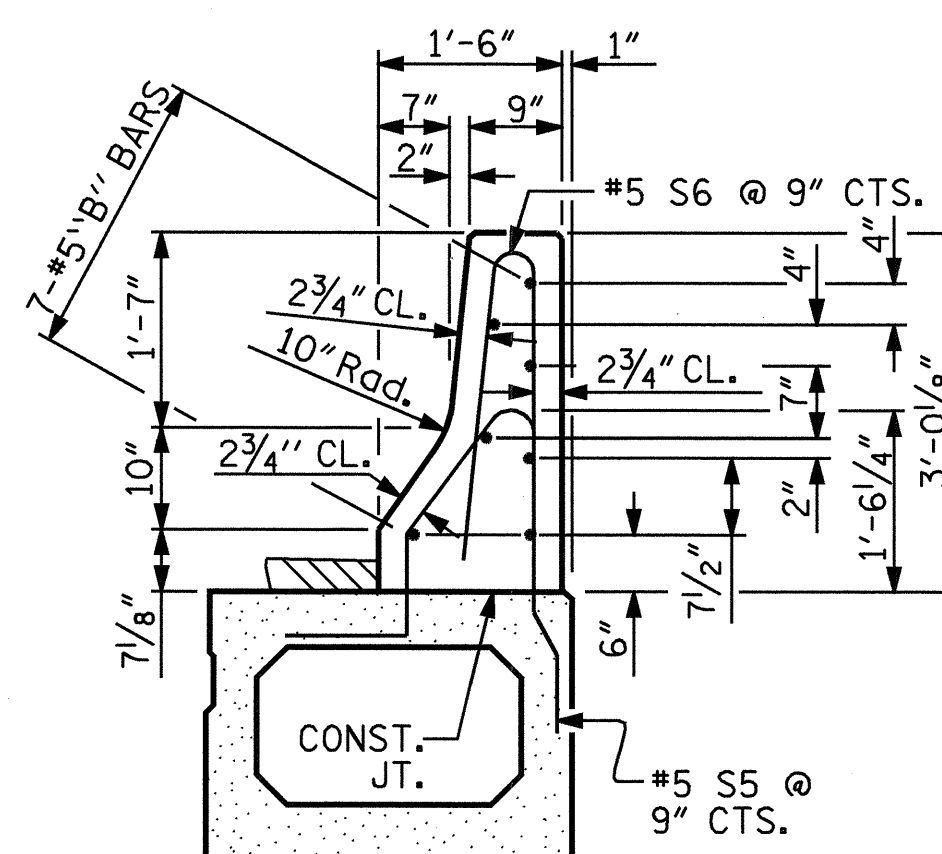
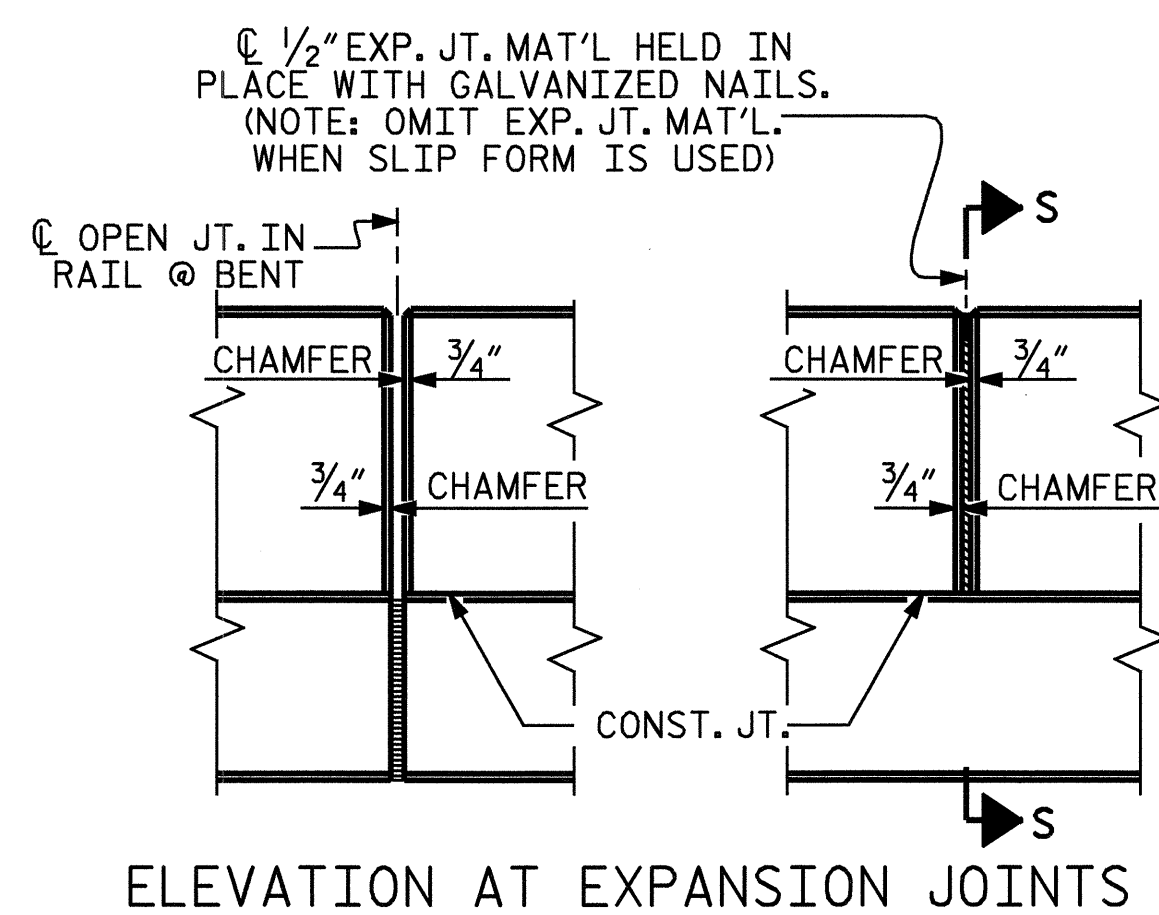
**FIXED END**  
(TYPE I - 30 REQ'D)

**ELASTOMERIC BEARING DETAILS**

BOX BEAM UNITS REQUIRED			
	NUMBER	LENGTH	TOTAL LENGTH
SPAN A	15	87'-9"	1316'-3"
TOTAL	15		1316'-3"



BILL OF MATERIAL FOR CONCRETE BARRIER RAIL						
BAR	QUANTITY	SIZE	TYPE	LENGTH	WEIGHT	
*B2	42	#5	STR	28'-11"	1267	
*S6	234	#5	10	5'-9"	1403	
* EPOXY COATED REINFORCING STEEL					LBS.	2670
CLASS AA CONCRETE					CU.YDS.	21.2
TOTAL LIN. FT. OF CONCRETE BARRIER RAIL						175.50

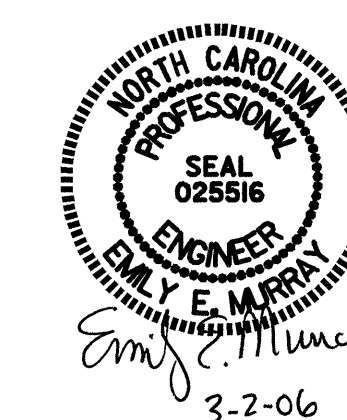


**SECTION S-S**  
AT DAM IN OPEN JOINT  
(THIS IS TO BE USED ONLY WHEN SLIP FORM IS USED)

**BARRIER RAIL DETAILS**

PROJECT NO. B-4319  
WAYNE COUNTY  
STATION: 16+29.00 -L-

SHEET 5 OF 5



STATE OF NORTH CAROLINA  
DEPARTMENT OF TRANSPORTATION  
RALEIGH  
STANDARD  
3'-0" X 2'-9"  
PRESTRESSED CONCRETE  
BOX BEAM UNIT DETAILS

REVISIONS						SHEET NO.
NO.	BY:	DATE:	NO.	BY:	DATE:	S-8
1			3			TOTAL SHEETS
2			4			18

ASSEMBLED BY : ZION J. RORIE	DATE : 7/1/05
CHECKED BY : M. D. PISO	DATE : 11/05
DRAWN BY : TLA 5/05	ADDED 7/11/05R
CHECKED BY : GM 6/05	