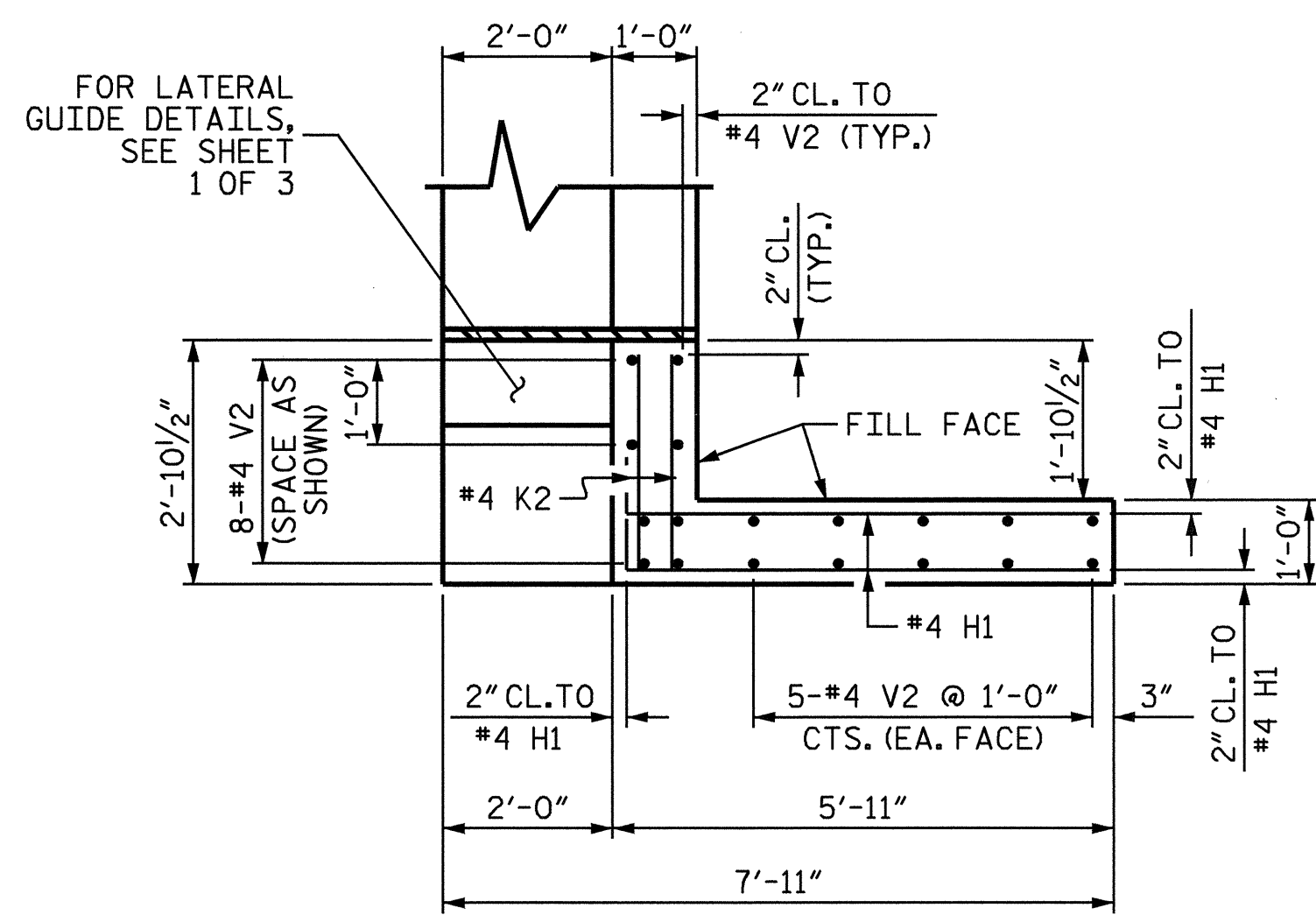
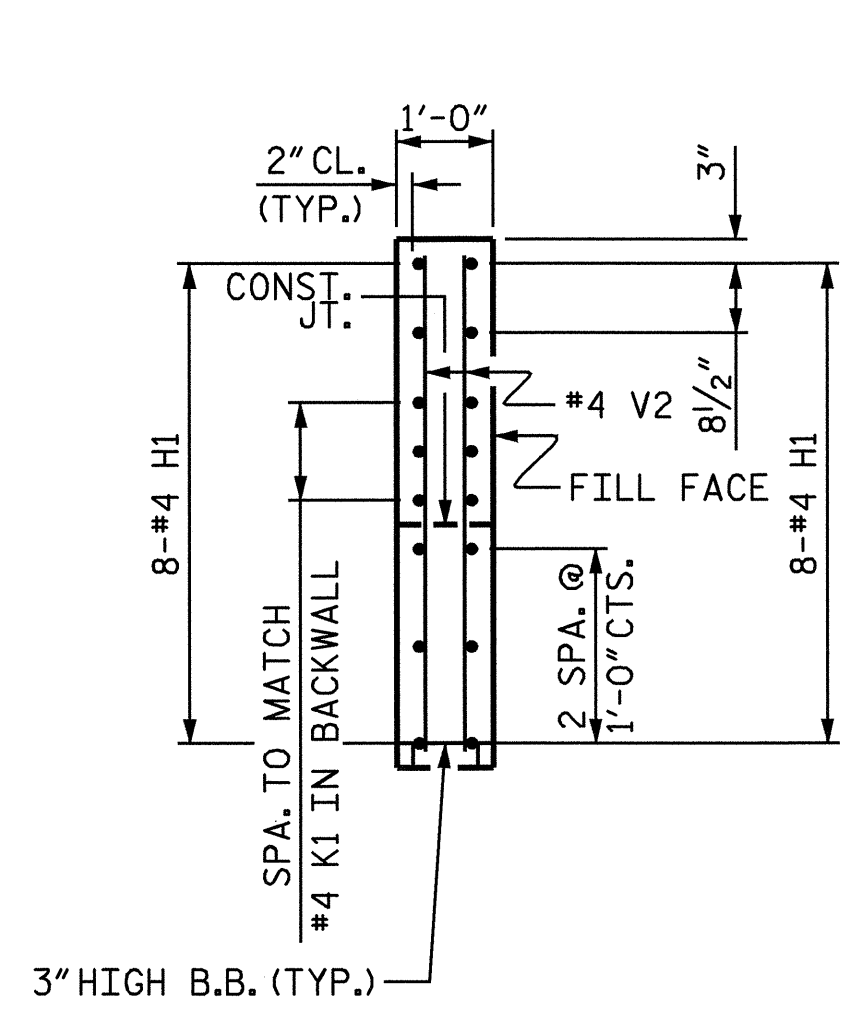


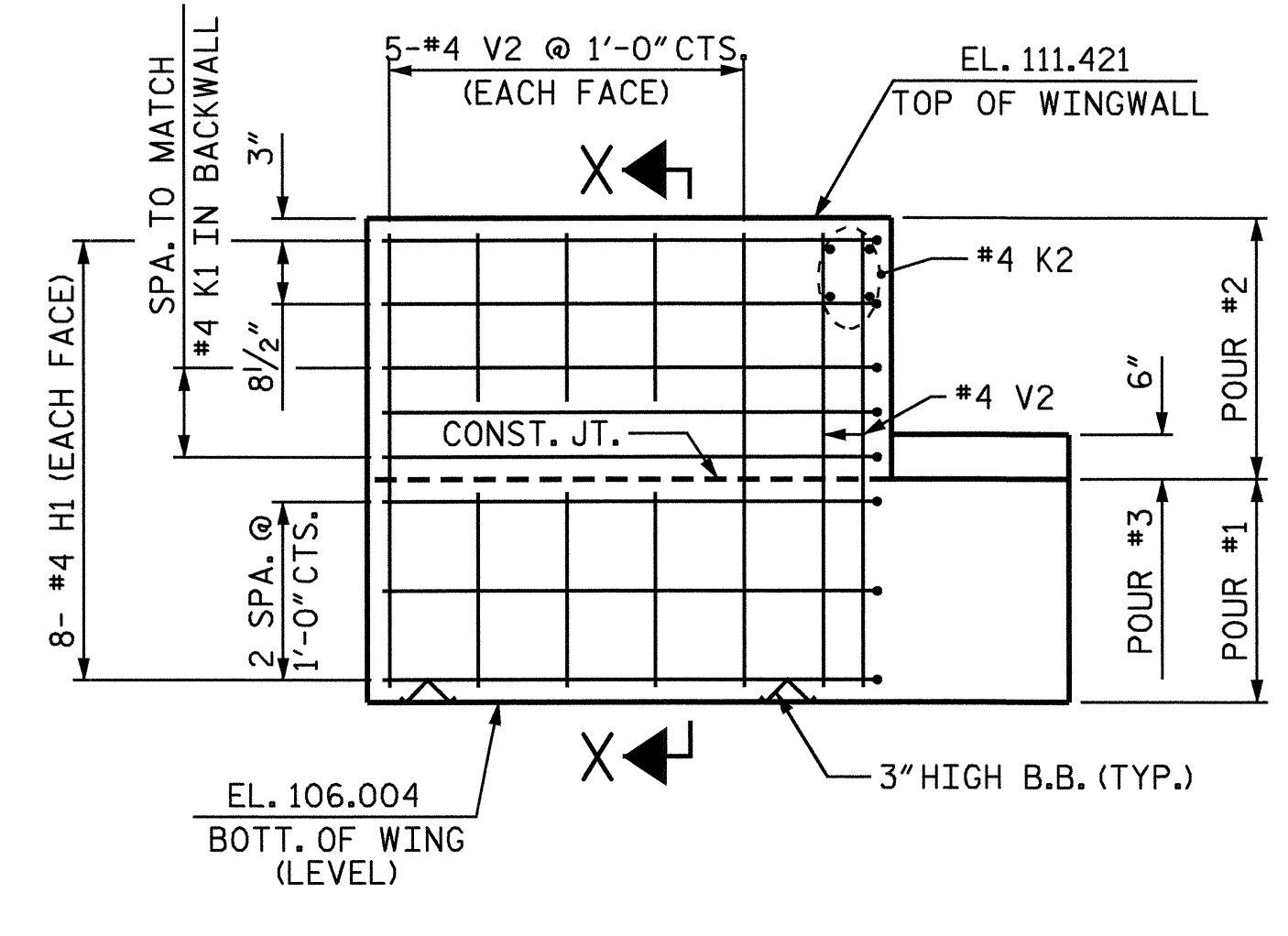
PLAN OF LEFT WING (W1)



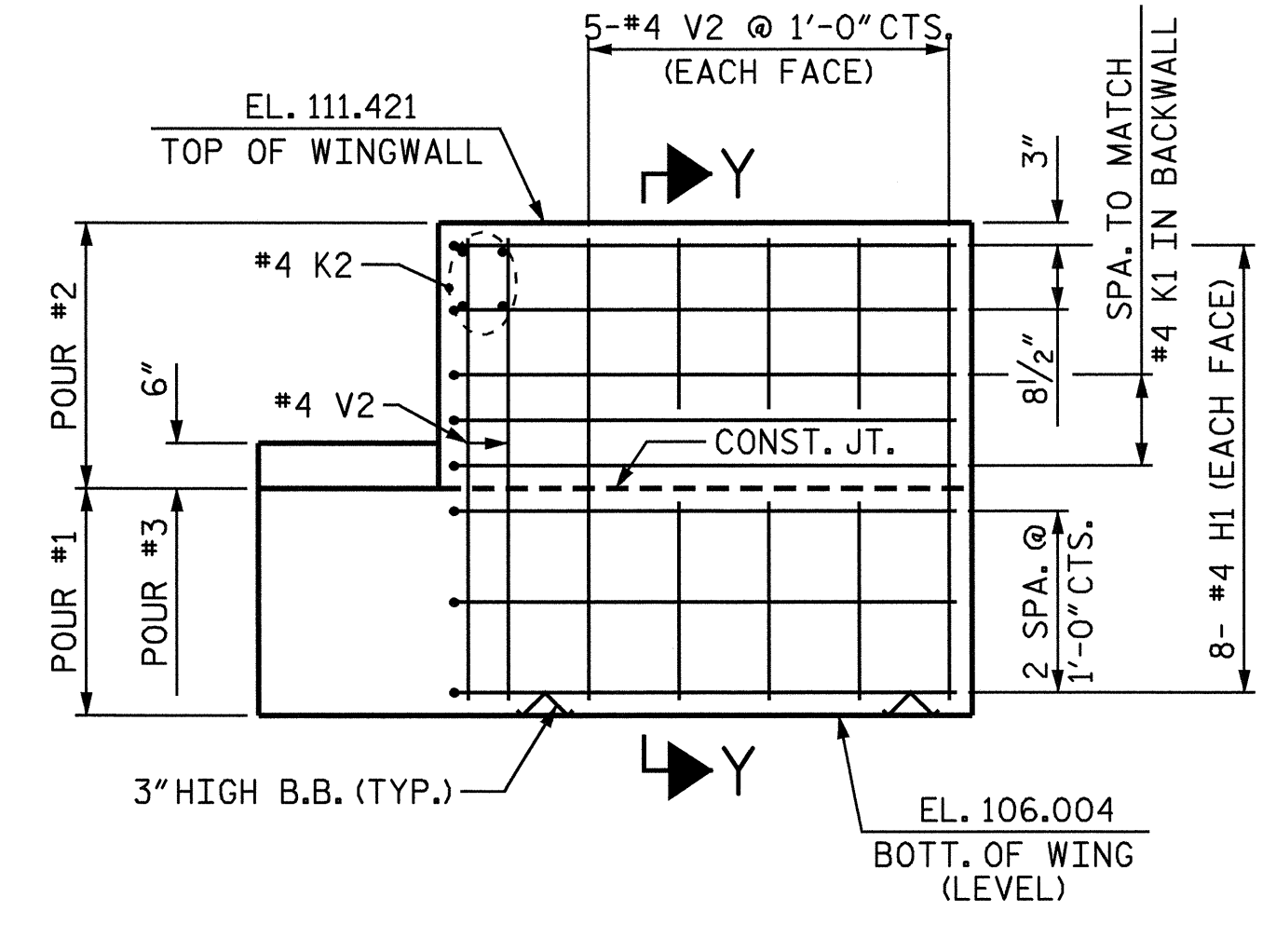
PLAN OF RIGHT WING (W2)



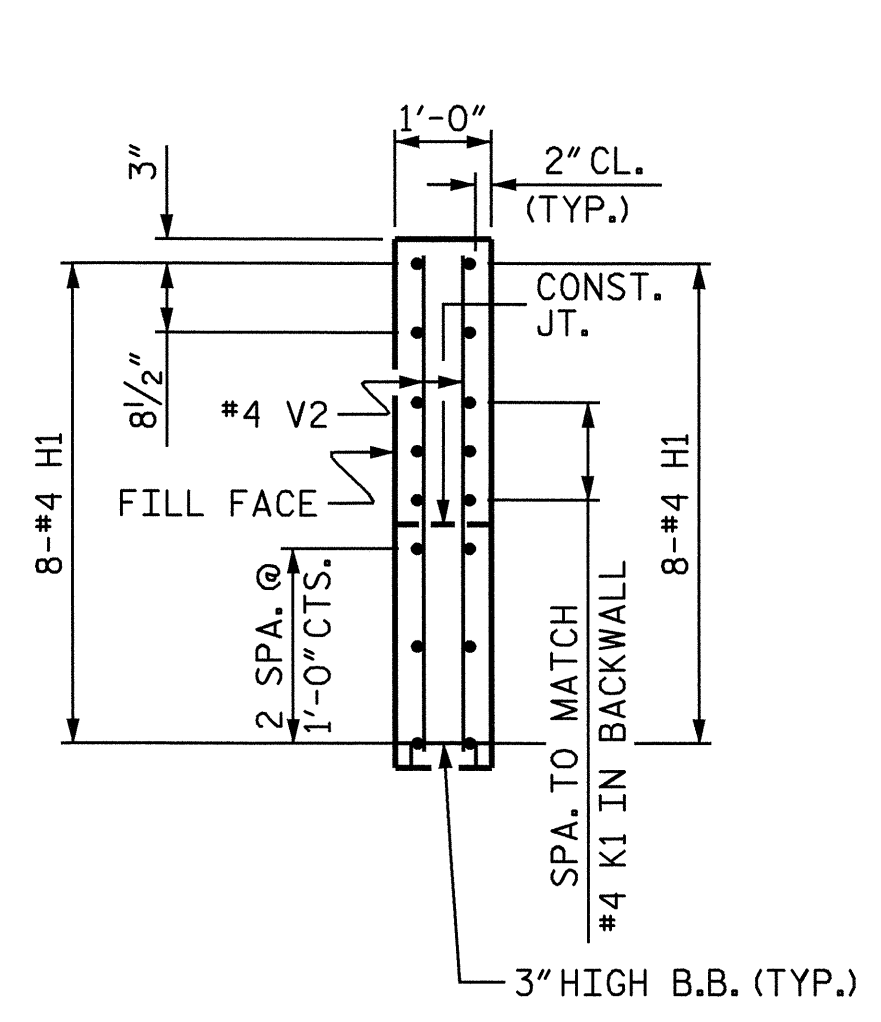
SECTION X-X



ELEVATION OF LEFT WING (W1)



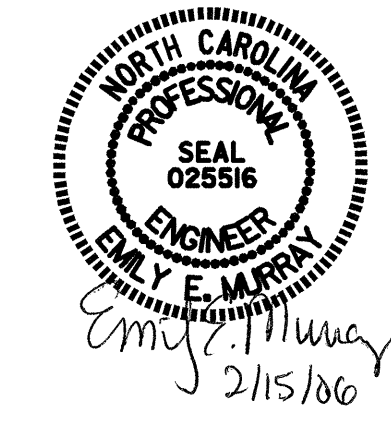
ELEVATION OF RIGHT WING (W2)



SECTION Y-Y

PROJECT NO. B-4319
 WAYNE COUNTY
 STATION: 16+29.00 -L-

SHEET 2 OF 3



STATE OF NORTH CAROLINA
 DEPARTMENT OF TRANSPORTATION
 RALEIGH
 SUBSTRUCTURE
 END BENT #2

DRAWN BY: ZION J. RORIE DATE: 7/28/05
 CHECKED BY: C. MILLER DATE: 12/05

15-FEB-2006 12:04
 R:\Structures\B4319\Final Plans\B4319_sd.L*.dgn
 taverette

REVISIONS						SHEET NO.	
NO.	BY:	DATE:	NO.	BY:	DATE:	S-13	
1			3			TOTAL SHEETS	
2			4			18	