

BAR TYPES

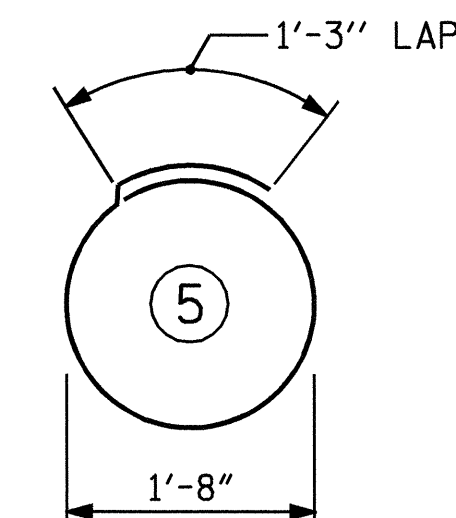
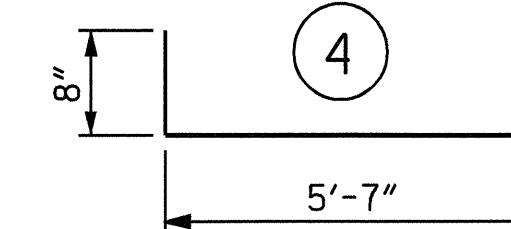
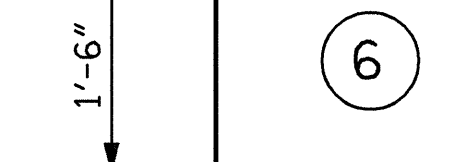
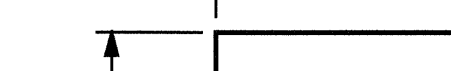
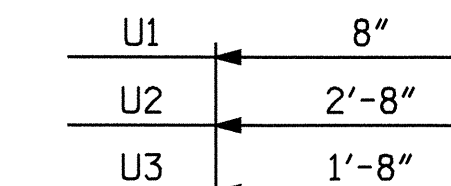
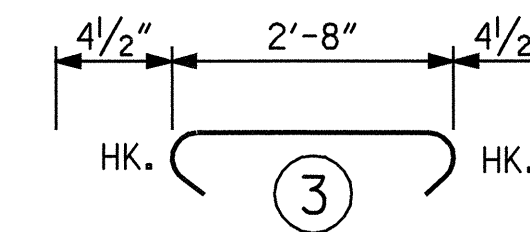
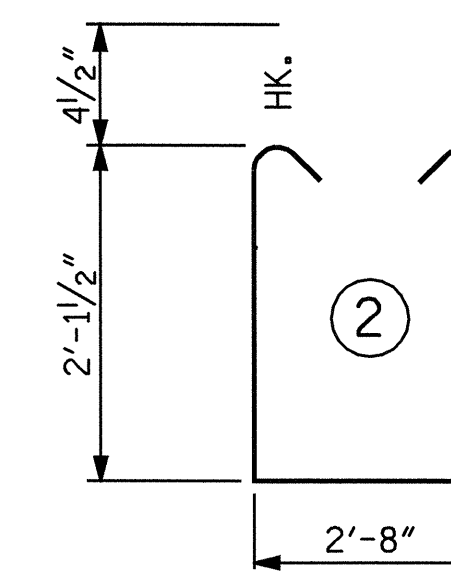
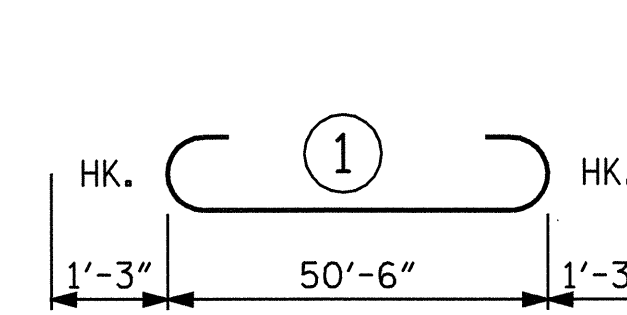
BILL OF MATERIAL

END BENT #2

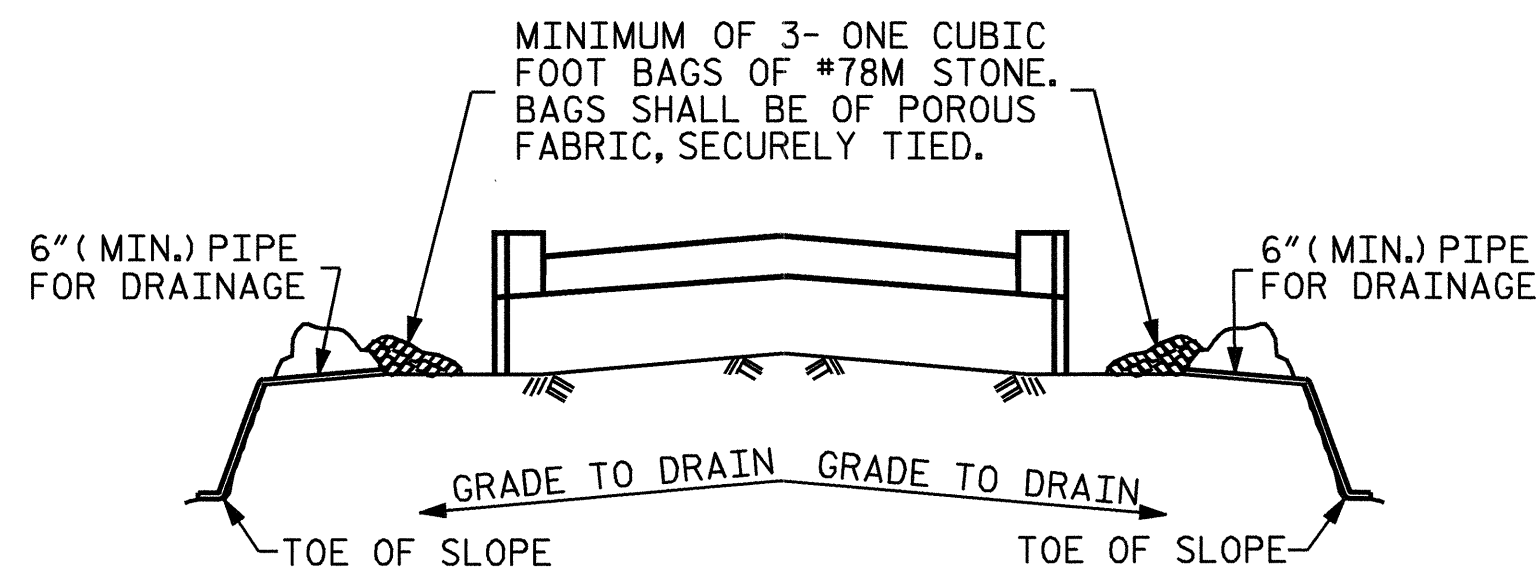
BAR	NO.	SIZE	TYPE	LENGTH	WEIGHT
B1	8	#9		53'-0"	1442
B2	2	#5	STR.	50'-8"	106
B3	8	#4	STR.	26'-7"	142
B4	13	#4	STR.	2'-8"	23
B5	4	#4	STR.	18'-10"	50
K1	12	#4	STR.	26'-8"	214
K2	8	#4	STR.	2'-6"	13
H1	32	#4	4	6'-3"	134
S1	50	#4	2	7'-8"	256
S2	50	#4	3	3'-5"	114
S3	26	#4	5	6'-6"	113
U1	46	#4	6	3'-8"	113
U2	19	#4	6	5'-8"	72
U3	4	#4	6	4'-8"	12
V1	92	#5	STR.	3'-7"	344
V2	36	#4	STR.	5'-1"	122
D1	30	#8	STR.	2'-3"	180

REINFORCING STEEL 3450 LBS.
CLASS "A" CONCRETE BREAKDOWN

POUR #1 CAP & LOWER WINGS	CU. YDS. 16.3
POUR #2 BACKWALL & UPPER WINGS	CU. YDS. 4.2
POUR #3 LATERAL GUIDE	CU. YDS. 0.1
TOTAL CLASS "A" CONCRETE	CU. YDS. 20.6
HP 12 X 53 STEEL PILES	NO. 13 LIN. FT. 325



ALL BAR DIMENSIONS ARE OUT TO OUT.

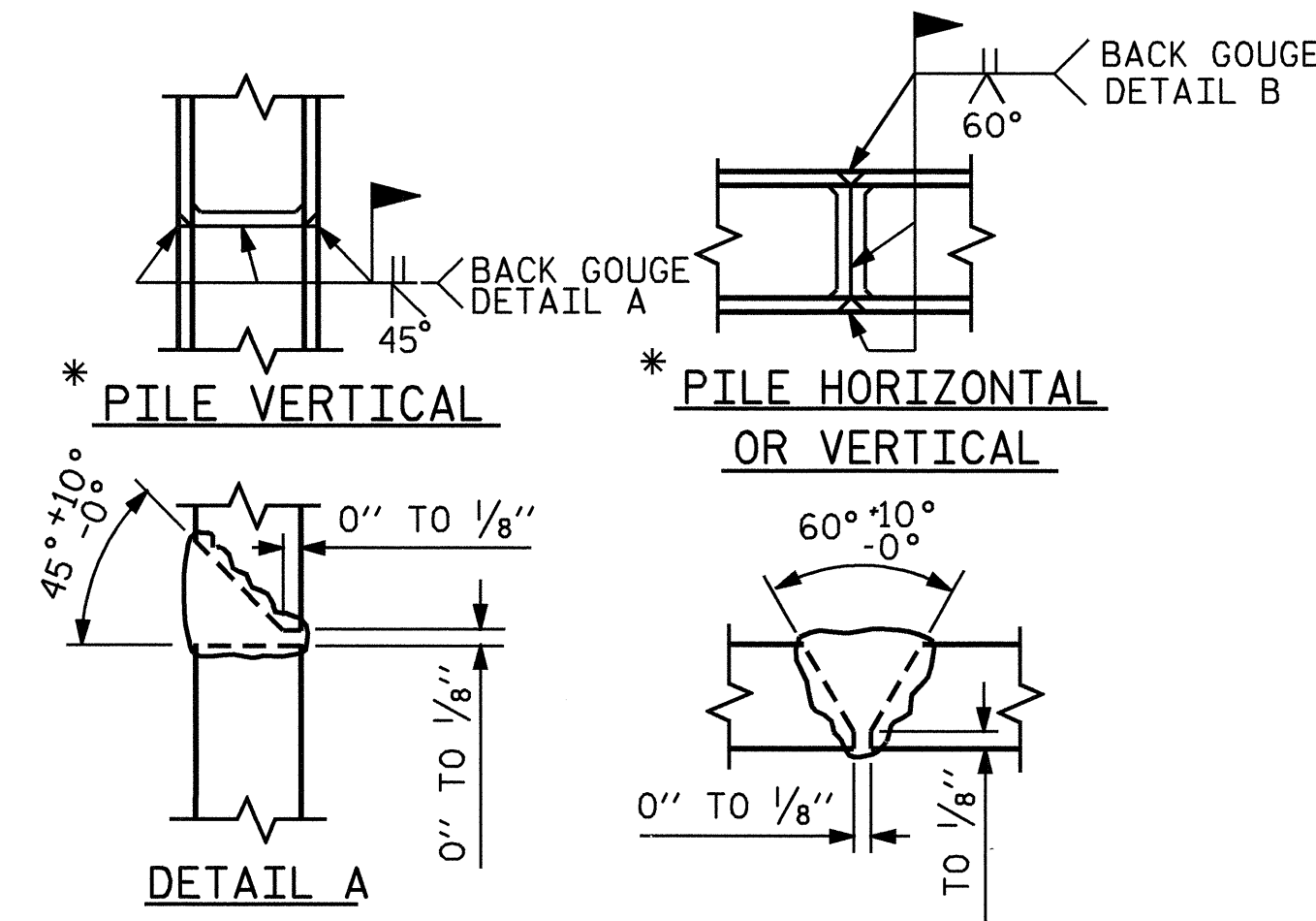


BAGGED STONE AND PIPE SHALL BE PLACED IMMEDIATELY AFTER COMPLETION OF END BENT EXCAVATION. PIPE MAY BE EITHER CONCRETE, CORRUGATED STEEL, CORRUGATED ALUMINUM ALLOY, OR CORRUGATED PLASTIC. PERFORATED PIPE WILL NOT BE ALLOWED.

BAGGED STONE SHALL REMAIN IN PLACE UNTIL THE ENGINEER DIRECTS THAT IT BE REMOVED. THE CONTRACTOR SHALL REMOVE AND DISPOSE OF SILT ACCUMULATIONS AT BAGGED STONE WHEN SO DIRECTED BY THE ENGINEER. BAGS SHALL BE REMOVED AND REPLACED WHENEVER THE ENGINEER DETERMINES THAT THEY HAVE DETERIORATED AND LOST THEIR EFFECTIVENESS.

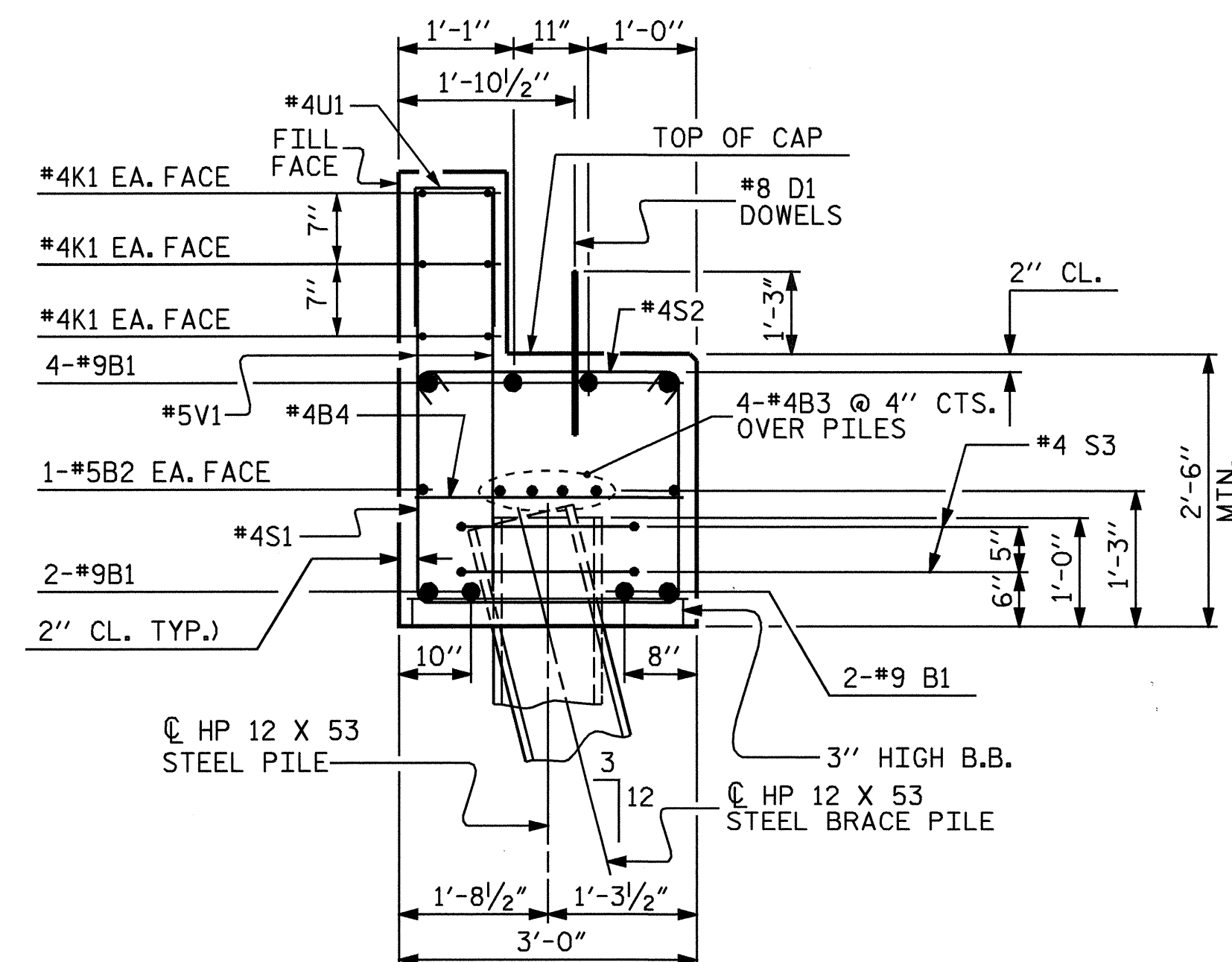
NO SEPARATE PAYMENT WILL BE MADE FOR THIS WORK AND THE ENTIRE COST OF THIS WORK SHALL BE INCLUDED IN THE UNIT CONTRACT PRICE BID FOR THE SEVERAL PAY ITEMS.

TEMPORARY DRAINAGE AT END BENT



* POSITION OF PILE DURING WELDING.

PILE SPLICE DETAILS



SECTION A-A

PROJECT NO. B-4319
WAYNE COUNTY
STATION: 16+29.00 -L-

SHEET 3 OF 3

STATE OF NORTH CAROLINA
DEPARTMENT OF TRANSPORTATION
RALEIGH

SUBSTRUCTURE

END BENT #2



Emily E. Murray
2/15/06

REVISIONS						SHEET NO.	
NO.	BY:	DATE:	NO.	BY:	DATE:	S-14	
1			3			TOTAL SHEETS	18
2			4				

DRAWN BY: ZION J. RORIE DATE: 7/28/05
CHECKED BY: C. MILLER DATE: 12/05