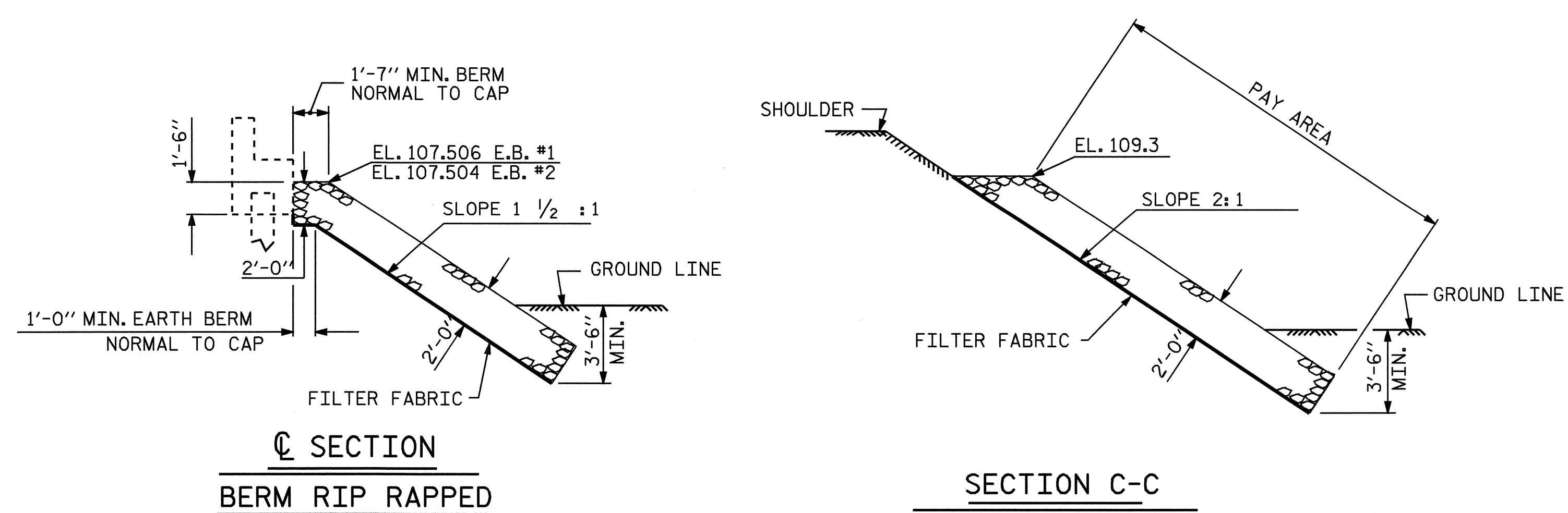


ESTIMATED QUANTITIES		
BRIDGE @ STA. 16+29.00 -L-	PLAIN RIP RAP CLASS II	FILTER FABRIC FOR DRAINAGE
	TONS	SQUARE YARDS
END BENT 1	131	145
END BENT 2	152	170

PLAN OF RIP RAP



SECTION

BERM RIP RAPPED

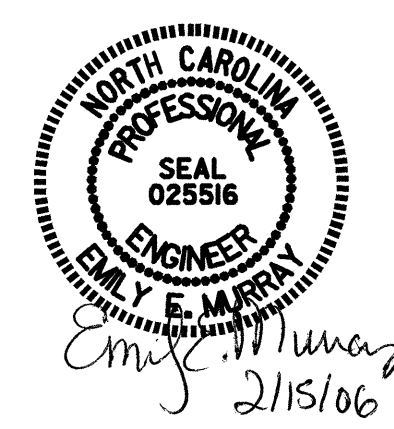
SECTION C-C

PROJECT NO. B-4319  
WAYNE COUNTY  
 STATION: 16+29.00 -L-

STATE OF NORTH CAROLINA  
 DEPARTMENT OF TRANSPORTATION  
 RALEIGH

**STANDARD**  
**— RIP RAP DETAILS —**

REVISIONS						SHEET NO.
NO.	BY:	DATE:	NO.	BY:	DATE:	S-15
1			3			TOTAL SHEETS
2			4			18



ASSEMBLED BY : ZION J. RORIE DATE : 8/15/05  
 CHECKED BY : P. ADKINS DATE : 12/05  
 DRAWN BY : FCJ 2/88 REV. 7/17/98 REK/RWW  
 CHECKED BY : ARB 8/88 REV. 8/16/99 RWW/LES  
 REV. 10/17/00 RWW/LES