

PROJECT REFERENCE NO.	SHEET NO.
B-4319	EC-4/CONST.4
RW SHEET NO.	
ROADWAY DESIGN ENGINEER	HYDRAULICS ENGINEER

INSTALL FILTER FABRIC UNDER TEMPORARY ROCK SILT CHECK(S) TYPE A IN PERMITTED WETLANDS.

-BY- 5 POT 5+00.00

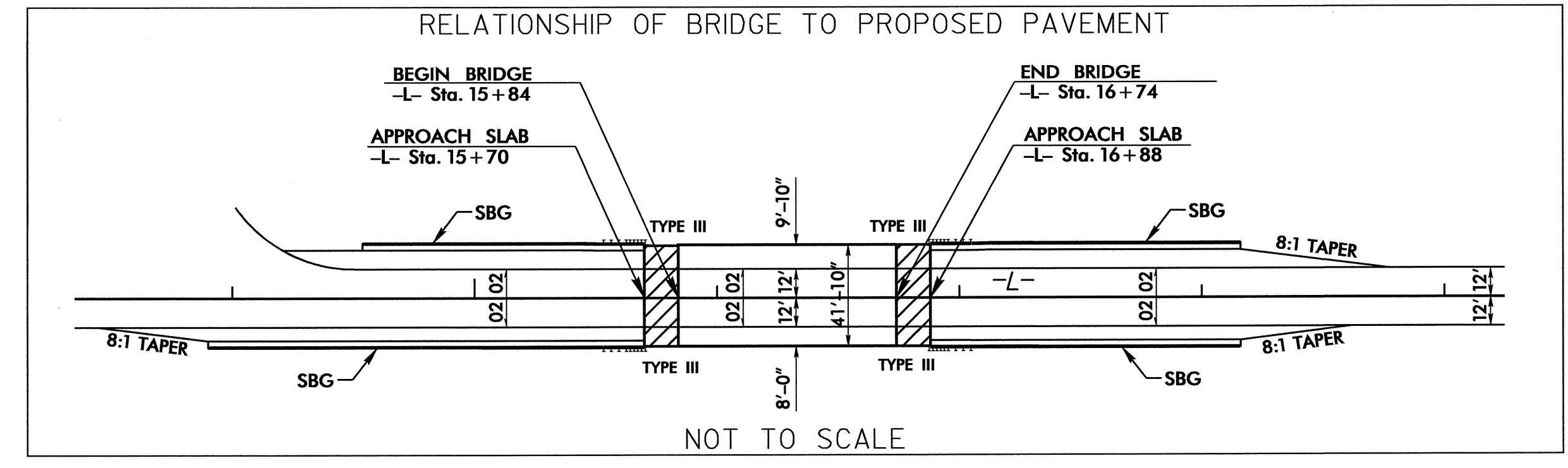
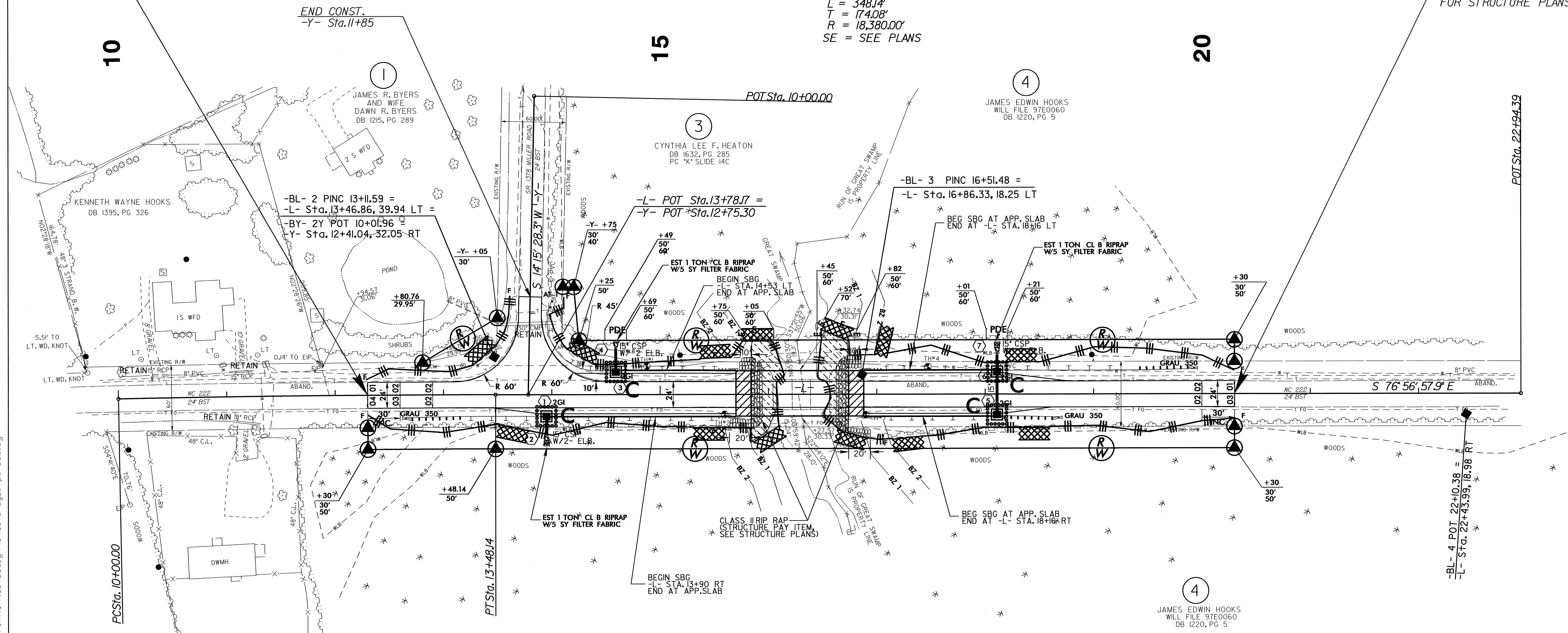


STA. 12+30 -L- BEGIN TIP PROJECT B-4319

STA. 20+30 -L- END TIP PROJECT B-4319

-L-  
 PI Sta 11+74.08  
 $\Delta = 1' 05'' 06.9'' (RT)$   
 $D = 0' 18'' 42.2''$   
 $L = 348.14'$   
 $T = 174.08'$   
 $R = 18,380.00'$   
 SE = SEE PLANS

BRIDGE APPROACH SLAB  
 FOR -L- PROFILE SEE SHEET 5  
 UNCLASSIFIED STRUCTURE EXCAVATION (STRUCTURE PAY ITEM)  
 SEE SHEETS S-1 THRU S-? FOR STRUCTURE PLANS



29-NOV-2005 07:57  
 c:\documents and settings\jchou\desktop\environmental\design\b4319\_r\_dj\_sfpsh.ec.dgn  
 jchou - 01 - 11/29/05 11:15