
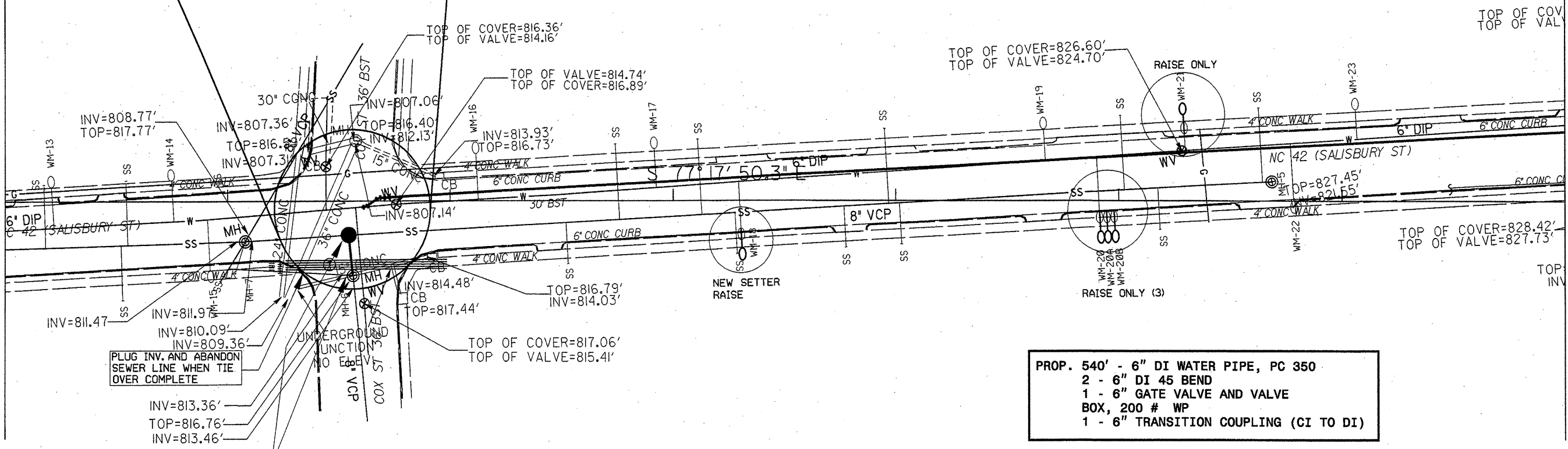
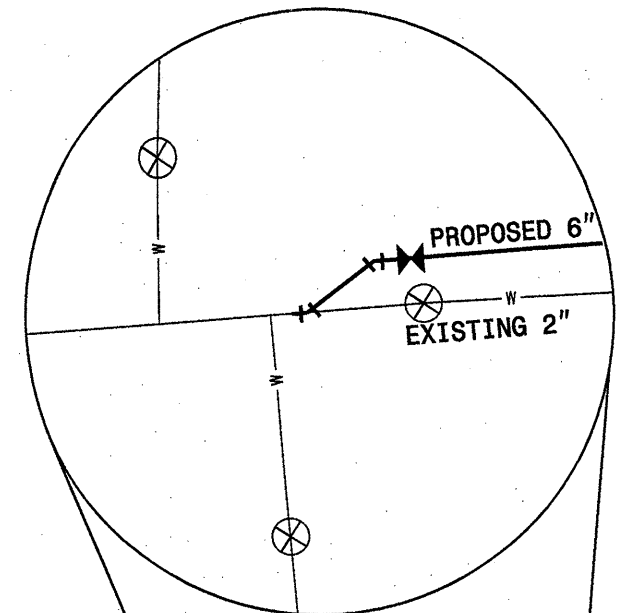


PROJECT REFERENCE NO.	SHEET NO.
37631	UC-7
DESIGNED BY: NSH	
DRAWN BY: NSH	
CHECKED BY: JSM	
APPROVED BY: JSM	
REVISED:	
NORTH CAROLINA DEPARTMENT OF TRANSPORTATION	
DESIGN SERVICES UNIT PHONE: (919) 250-4128 FAX: (919) 250-4119	
UTILITY CONSTRUCTION PLANS ONLY	

**UTILITY CONSTRUCTION**

MATCH LINE STA 50+00 SEE SHEET UC-6

MATCH LINE STA 57+00 SEE SHEET UC-8



PLUG INV. AND ABANDON SEWER LINE WHEN TIE OVER COMPLETE

REPLACE EXIST. M.H. #6 WITH NEW HORSESHOE M.H. AS SHOWN

PROP. 540' - 6" DI WATER PIPE, PC 350  
 2 - 6" DI 45 BEND  
 1 - 6" GATE VALVE AND VALVE BOX, 200 # WP  
 1 - 6" TRANSITION COUPLING (CI TO DI)

PROP. 1 - INSTALL 3/4" WATER METER ASSEMBLY & RELOCATE EXIST. METER BOX  
 4 - RELOCATE EXIST. WATER METER  
 48' - 3/4" COPPER WATER PIPE, TYPE K  
 5 - 3/4" CURB STOP  
 CONNECT USING NECESSARY FITTINGS

PROP. 55' - FILL OR REMOVE ABANDONED 8" PIPE, (VC SEWER)

PROP. 15' - 8" DI SEWER PIPE, PC 350  
 1 - REMOVE EXIST. M.H.  
 1 - 4' DIA. PRECAST M.H.  
 NOTE: INSTALL SEWER PIPE IN EXISTING ALIGNMENT

SCALE: 1" = 25'

14-MAR-2006 16:10  
 st:\specdes\up\11155\sm\neh\ddc\_and\_wbs\wbs-37631\_ashboro\_r\_endol\phco\pro\1\pst\Salisbury-ut\_UC7\_S011\_WBS\_37631\_Asheboro.dgn  
 8/17/99