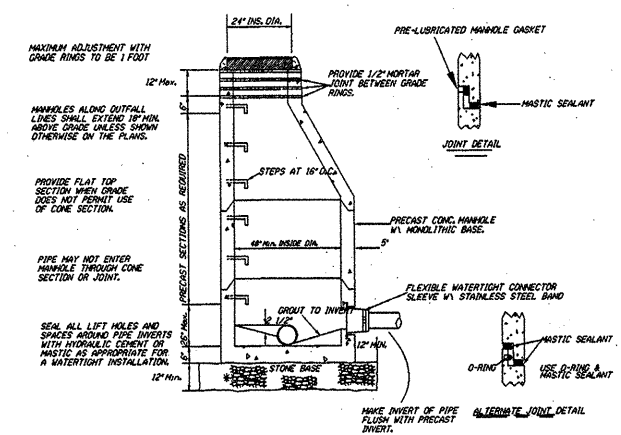
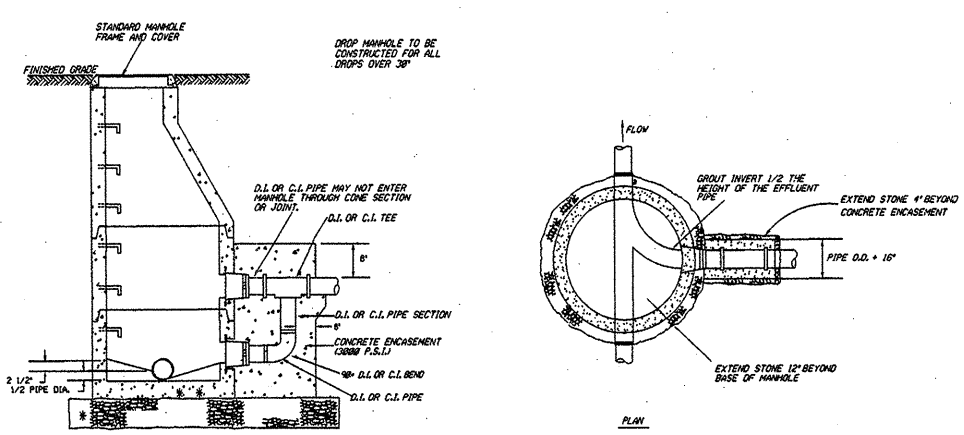




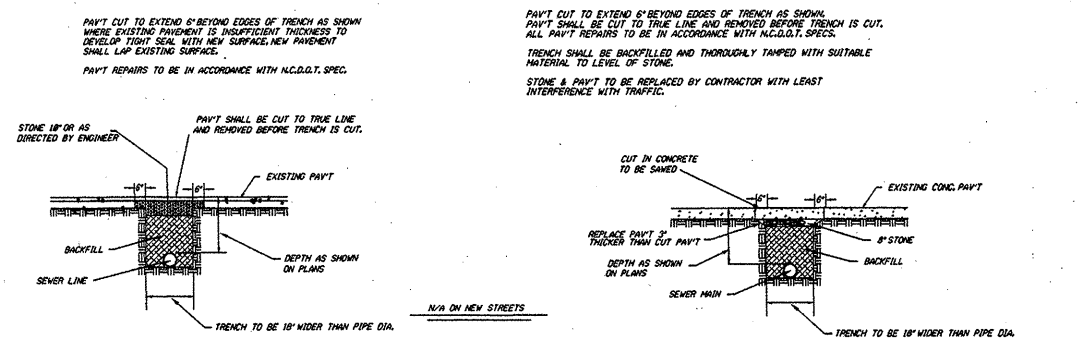
UTILITY CONSTRUCTION



STANDARD PRECAST CONCRETE MANHOLE



STANDARD DROP MANHOLE



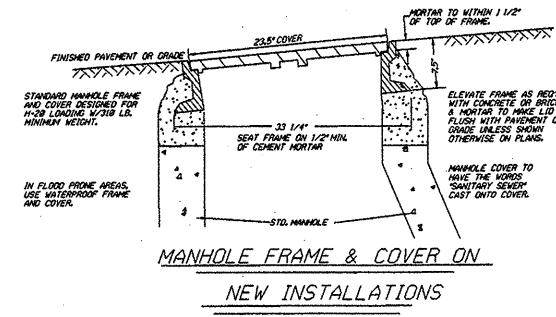
TYPICAL TRENCH SECTION IN PAVED AREA

TYPICAL TRENCH SECTION IN CONC. PAVED AREA

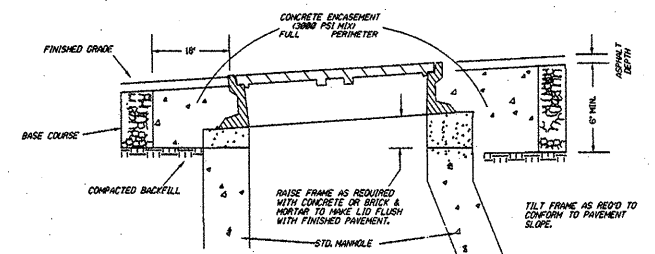
TIME (MIN/SEC) REQUIRED FOR PRESSURE DROP FROM 3 1/2 TO 2 1/2 PSIG WHEN TESTING ONE PIPE DIAMETER ONLY. INCREASE PRESSURE AS REQUIRED BY ENGINEER IF GROUNDWATER IS PRESENT.

LENGTH OF LINE, FEET	PIPE DIAMETER, INCHES								
	4	6	8	10	12	15	18	21	24
25	0:05	0:11	0:18	0:23	0:27	0:32	0:36	0:45	0:54
50	0:09	0:21	0:36	0:45	0:54	1:03	1:12	1:30	1:48
75	0:14	0:32	0:54	1:03	1:21	1:35	1:48	2:15	2:42
100	0:18	0:42	1:12	1:30	1:48	2:06	2:24	3:00	3:36
125	0:23	0:53	1:30	1:53	2:15	2:30	3:00	3:45	4:30
150	0:27	1:03	1:48	2:15	2:42	3:09	3:36	4:30	5:24
175	0:32	1:14	2:06	2:30	3:09	3:41	4:12	5:15	6:18
200	0:36	1:24	2:24	3:00	3:36	4:12	4:48	6:00	7:12
225	0:41	1:35	2:42	3:23	4:03	4:44	5:24	6:45	8:06
250	0:45	1:45	3:00	3:45	4:30	5:15	6:00	7:30	9:00
275	0:50	1:56	3:18	4:09	4:57	5:47	6:36	8:15	9:54
300	0:54	2:06	3:36	4:30	5:24	6:18	7:12	9:00	10:48
350	1:03	2:27	4:12	5:15	6:18	7:21	8:24	10:30	12:36
400	1:12	2:48	4:48	6:00	7:12	8:24	9:36	12:00	14:24
450	1:21	3:09	5:24	6:45	8:06	9:27	10:48	13:30	16:12
500	1:30	3:30	6:00	7:30	9:00	10:30	12:00	15:00	18:00

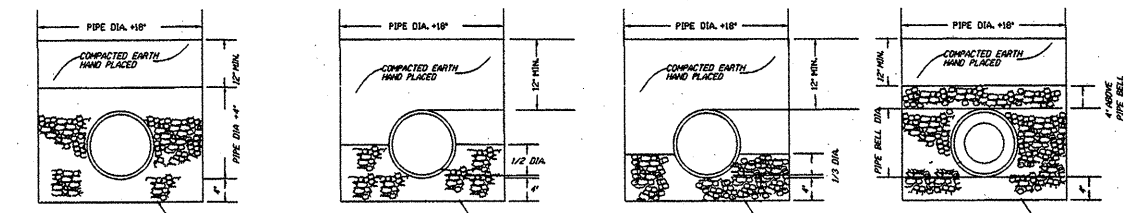
AIR TEST TABLE



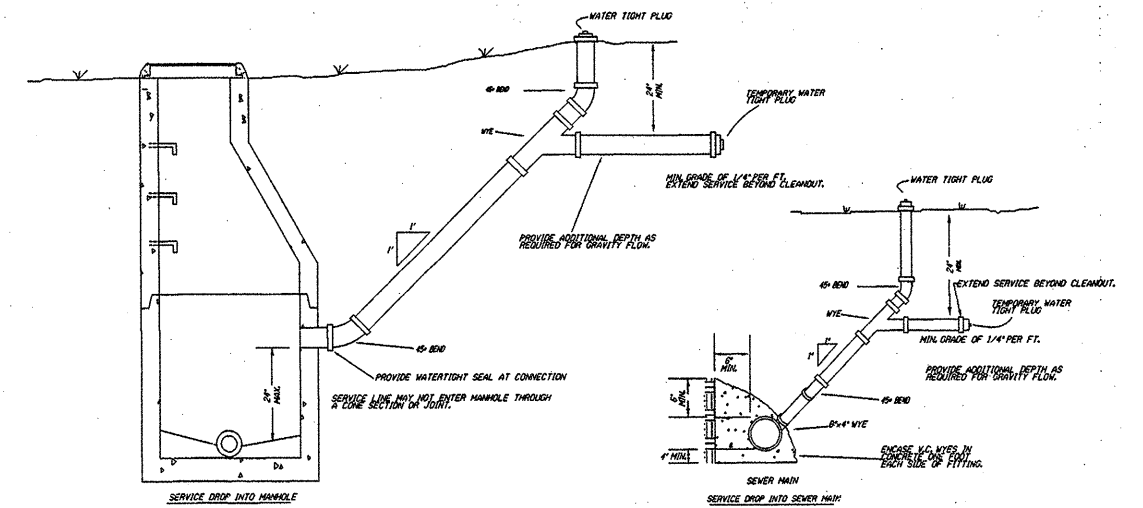
MANHOLE FRAME & COVER ON NEW INSTALLATIONS



MANHOLE FRAME & COVER ADJUSTMENT ON STREETS BEING RESURFACED



SINGLE WALL (SDR 35) PVC PIPE BEDDING
A.B.S. TRUSS PIPE OR PVC TRUSS PIPE BEDDING
DETAIL OF CLAY PIPE BEDDING
CRUSHED STONE ENCASEMENT FOR CLAY PIPE
 14-20 FT. DEEP



DROP TYPE SERVICE CONNECTION

8/17/99
 14-MAR-2006 16:07
 s:\speccodes\util\ties\jgm\sh\ddd-and-wbs\37631-ashboro-rando\proj\psh\soilsbury-ut.uc9.s013.wbs\37631-ashboro.dgn
 chandran AT P521418