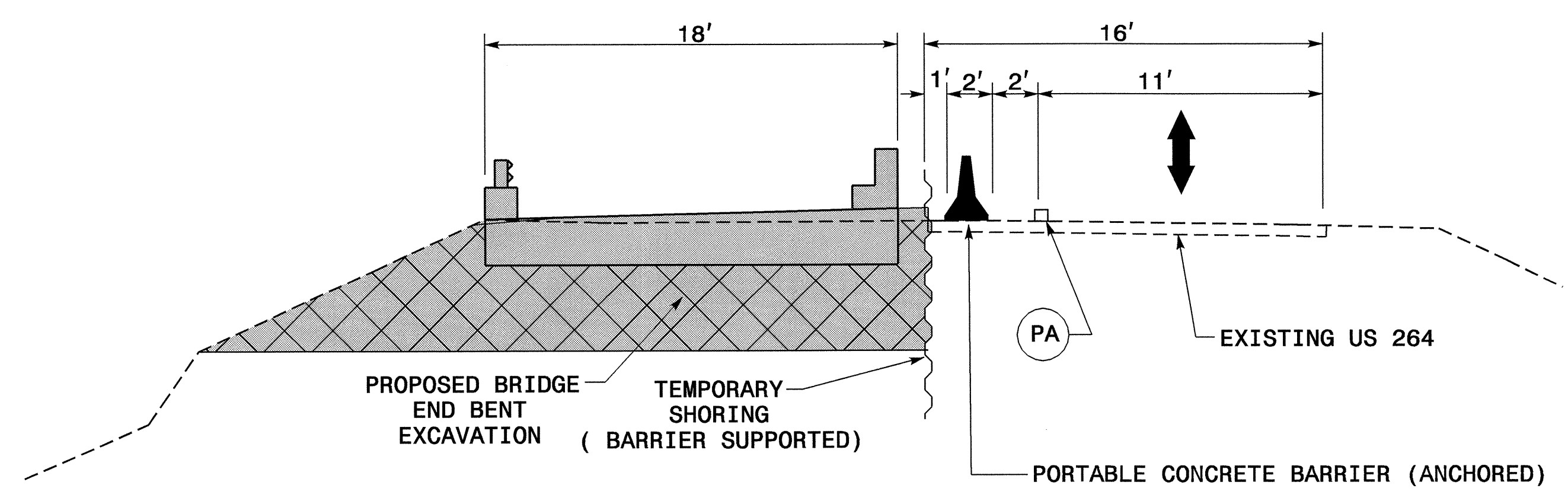
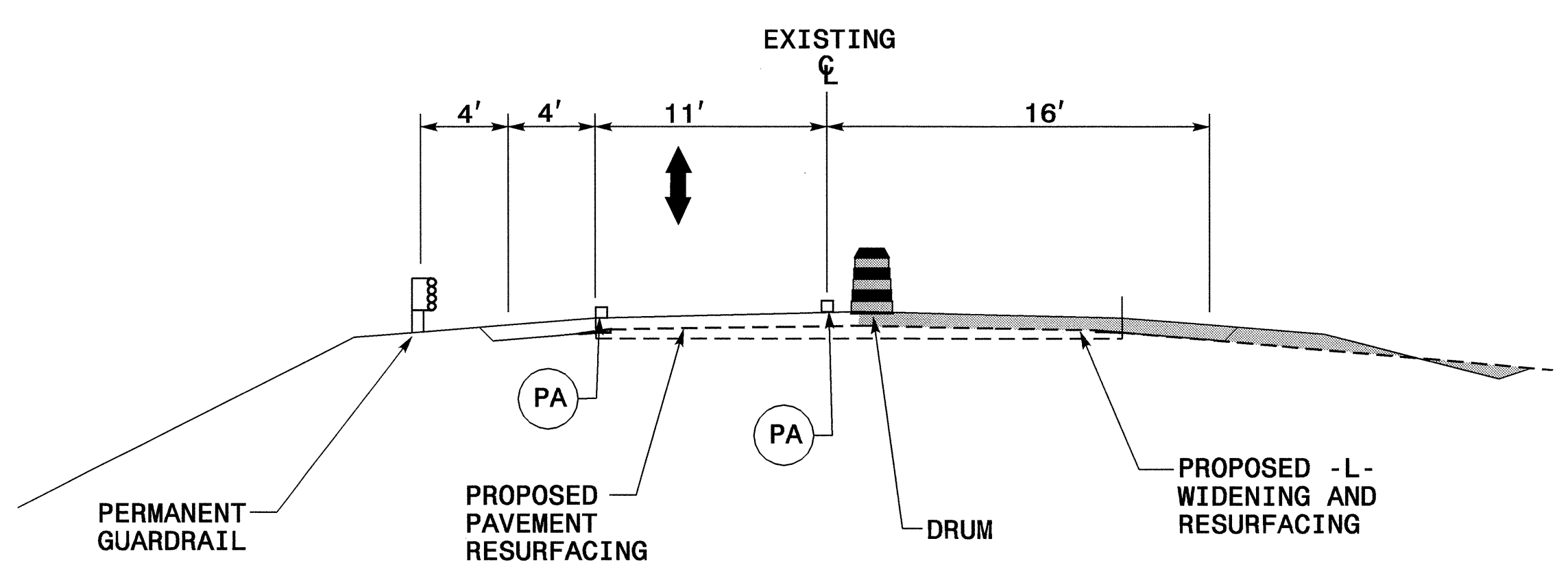


PROJ. REFERENCE NO.	SHEET NO.
B-3349	TCP-8

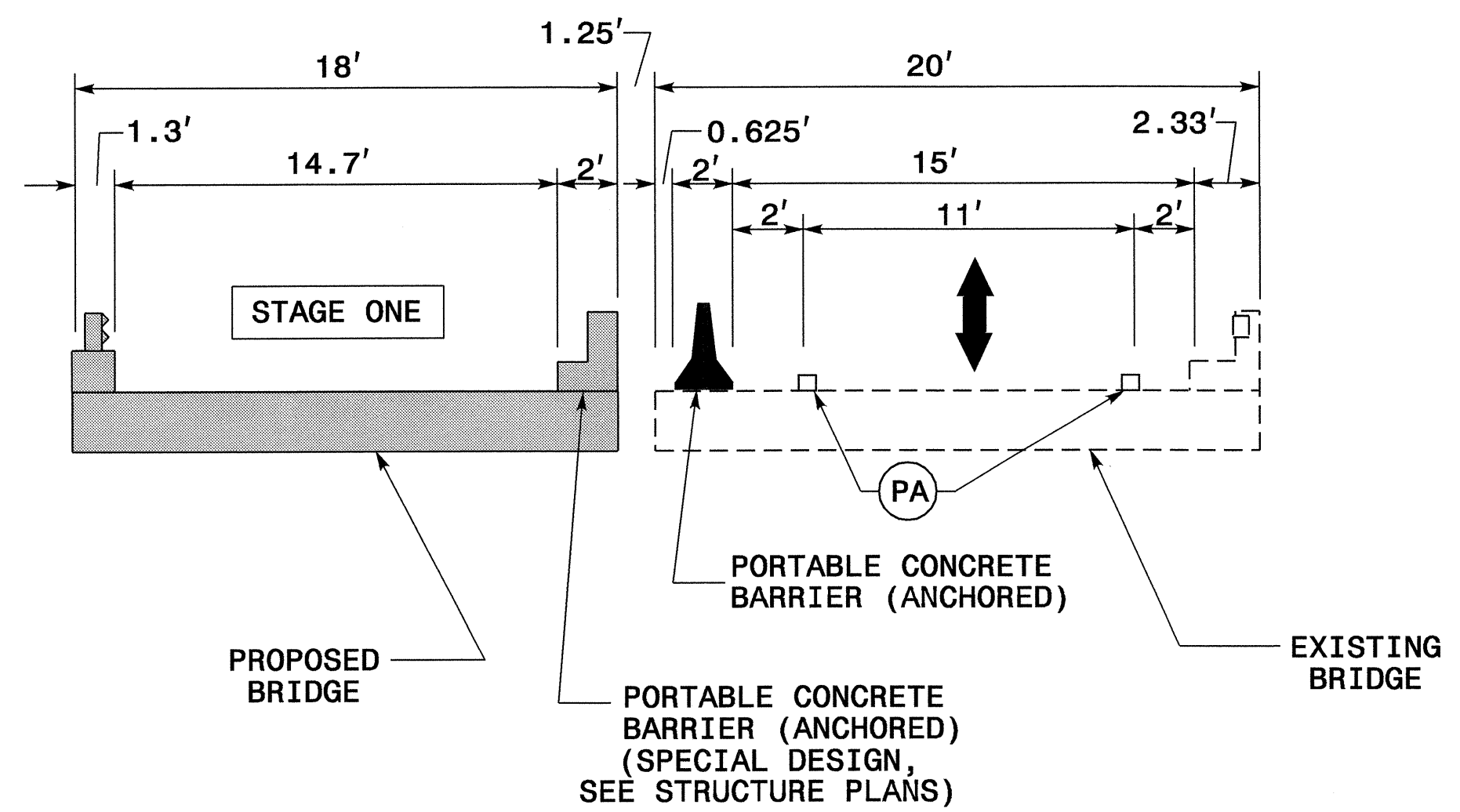
SECTION A-A₁
 PHASE I STA. 15+00 +/-
 SEE TCP-4



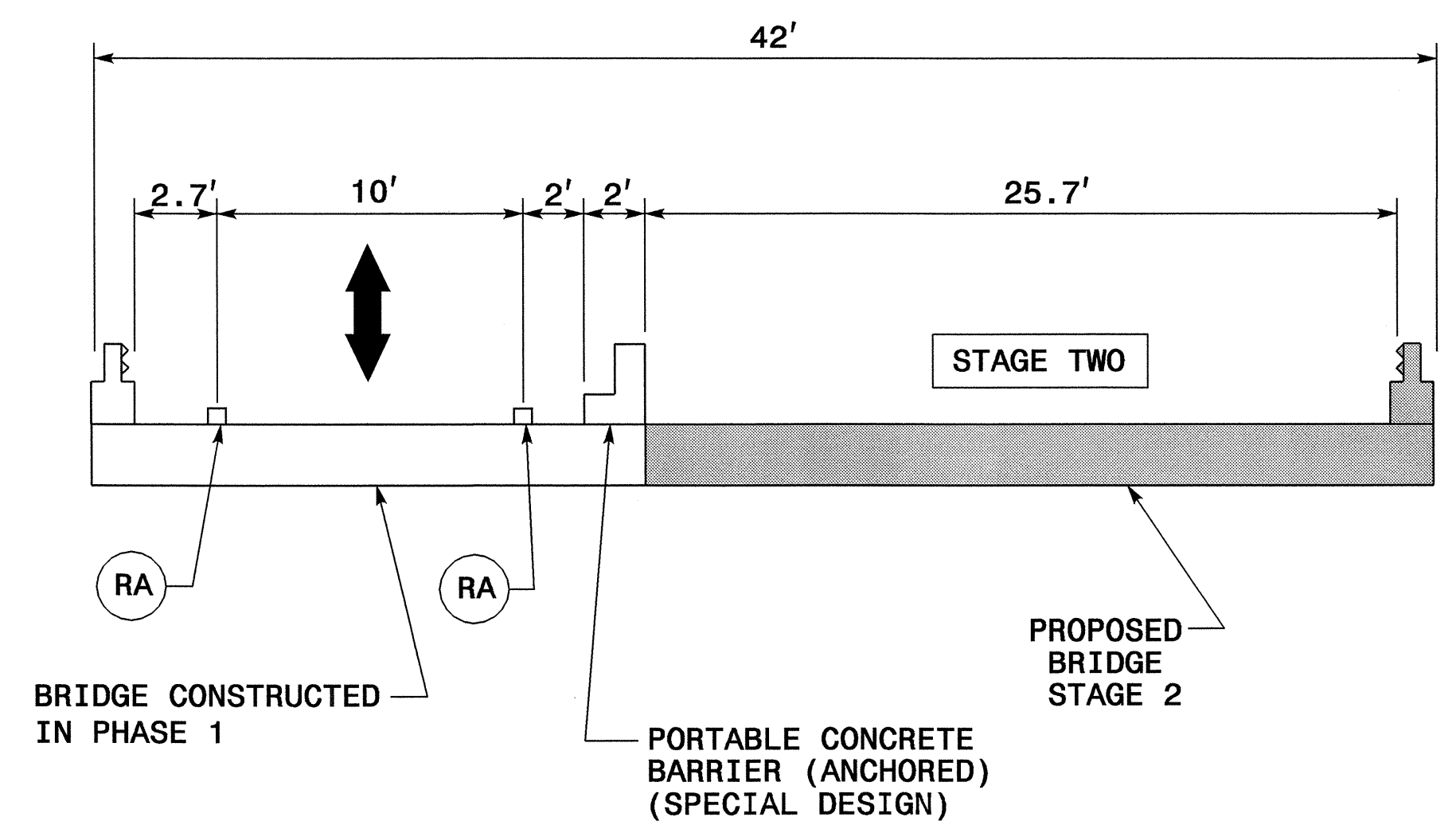
SECTION D-D₁
 PHASE I STA. 13+50 +/-
 SEE TCP-6



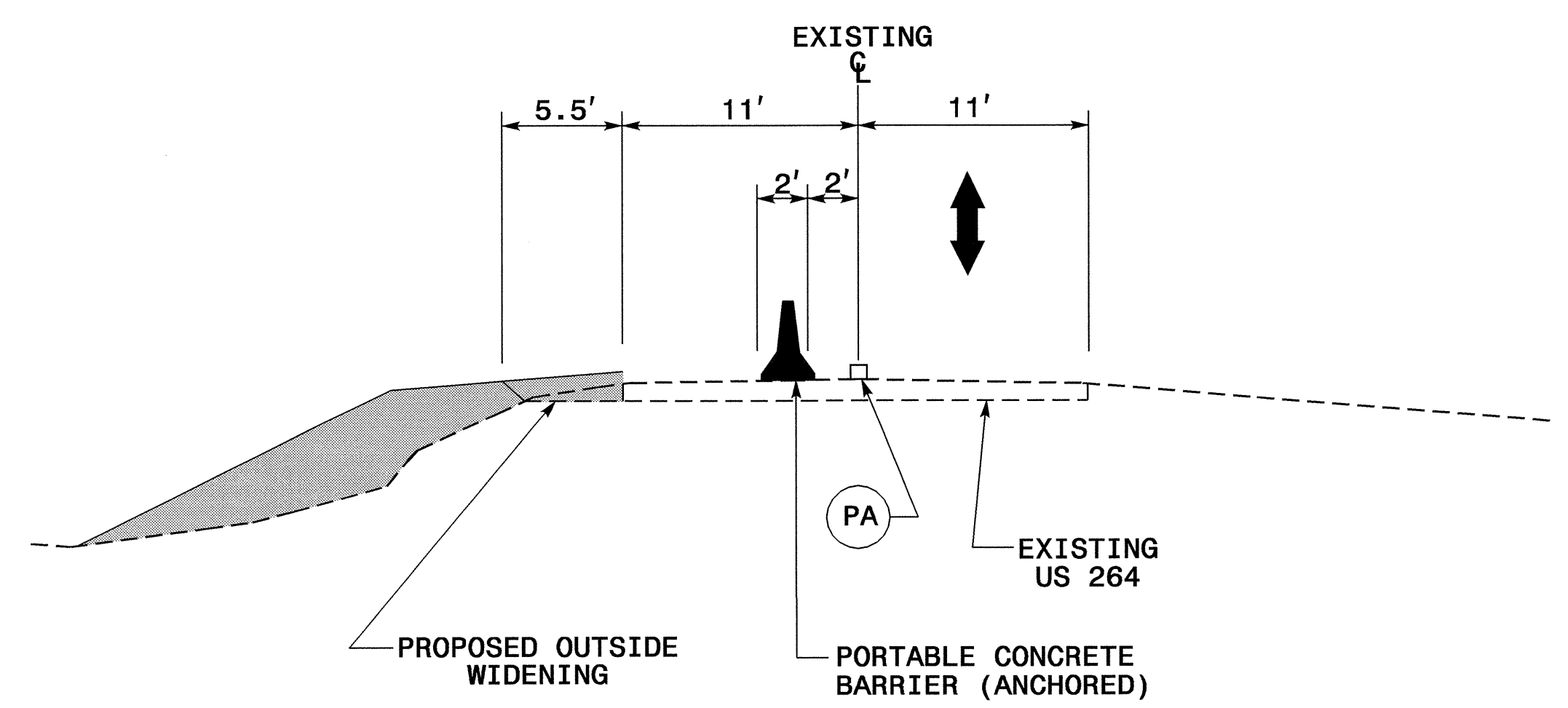
SECTION B-B₁
 PHASE I STA. 15+50 +/-
 SEE TCP-4



SECTION E-E₁
 PHASE I STA. 15+50 +/-
 SEE TCP-6



SECTION C-C₁
 PHASE I STA. 18+00 +/-
 SEE TCP-5



APPROVED: *[Signature]* DATE: 12/16/05

SEAL

TYPICAL SECTIONS

SCALE: NONE
 DATE: 09/04
 DWG. BY: SJS/DER
 DESIGN BY: SJS/DER
 REVIEWED BY: CLM

REVISIONS

31-JAN-2005 09:34
 \\efs-ccfs01\bb3349\TCP\B3349_TCP08.dgn
 DE:Richardson AT:TEIC206432