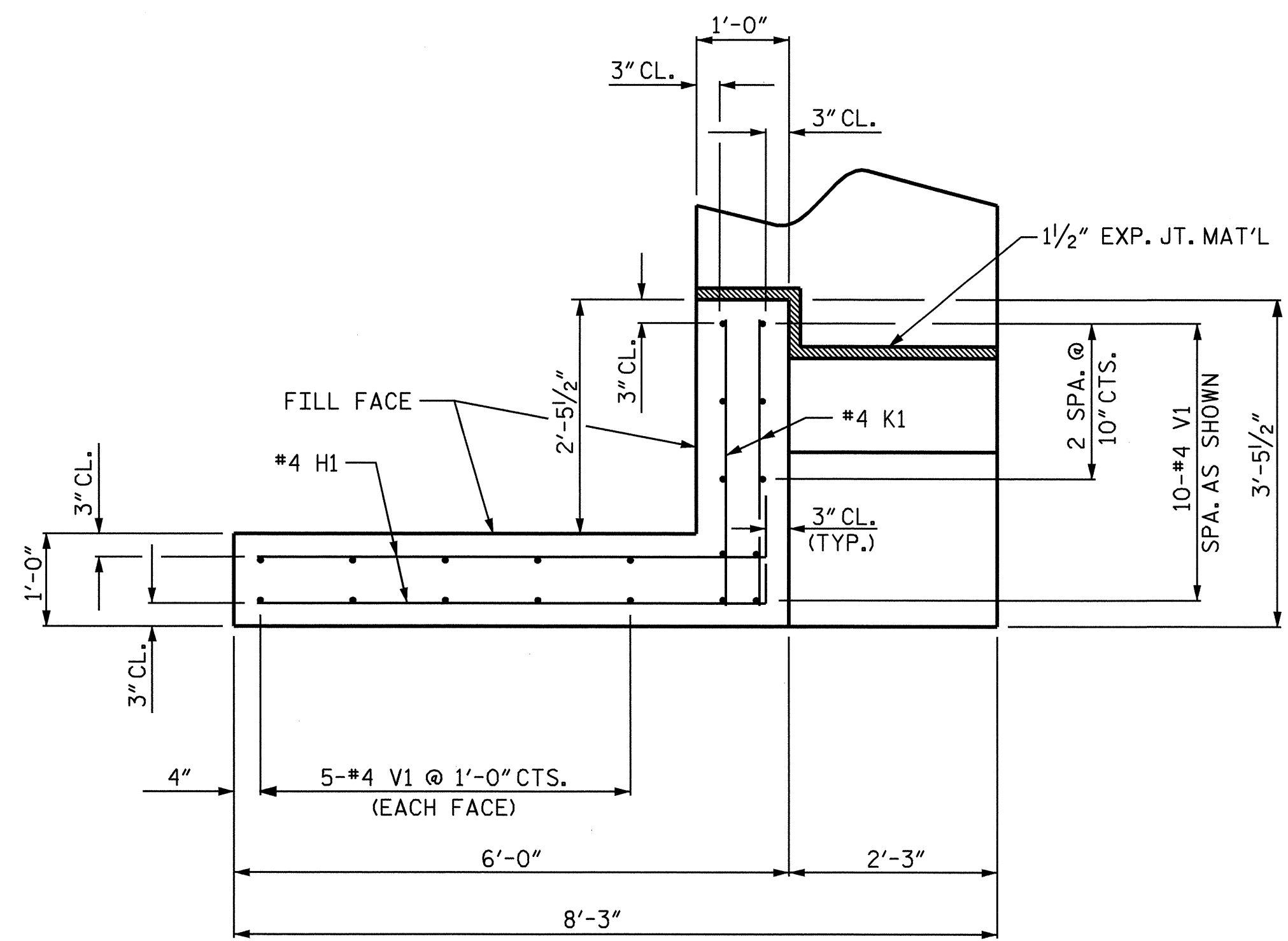
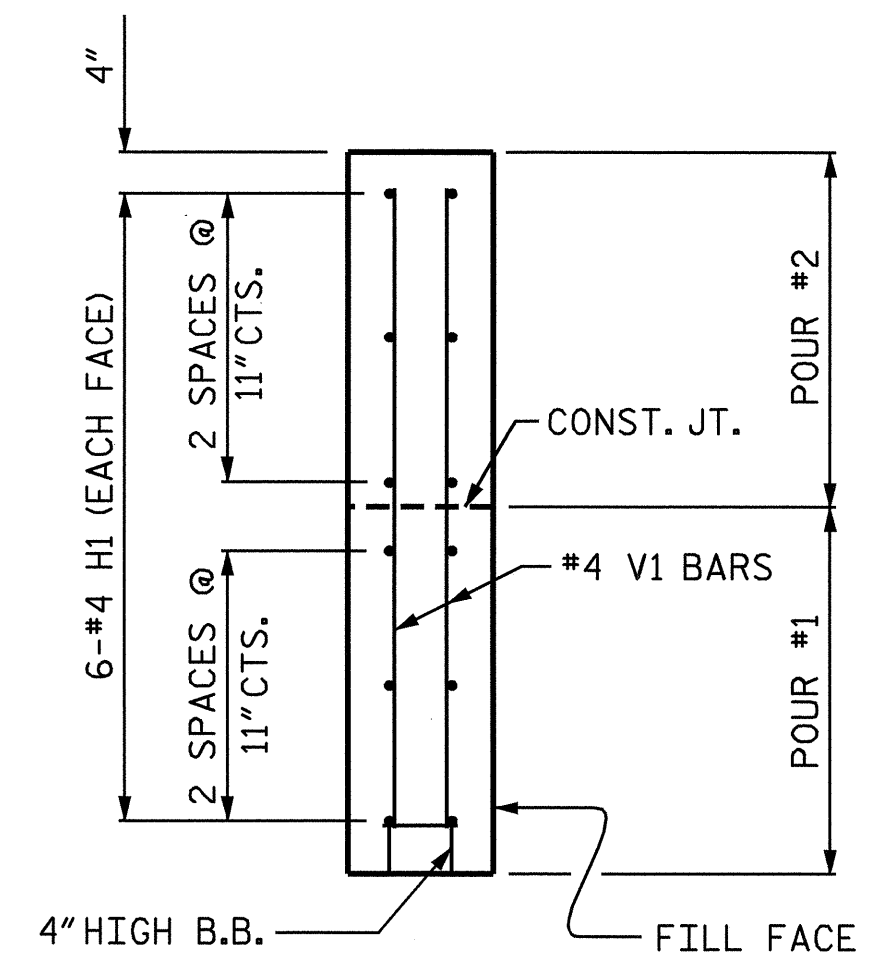


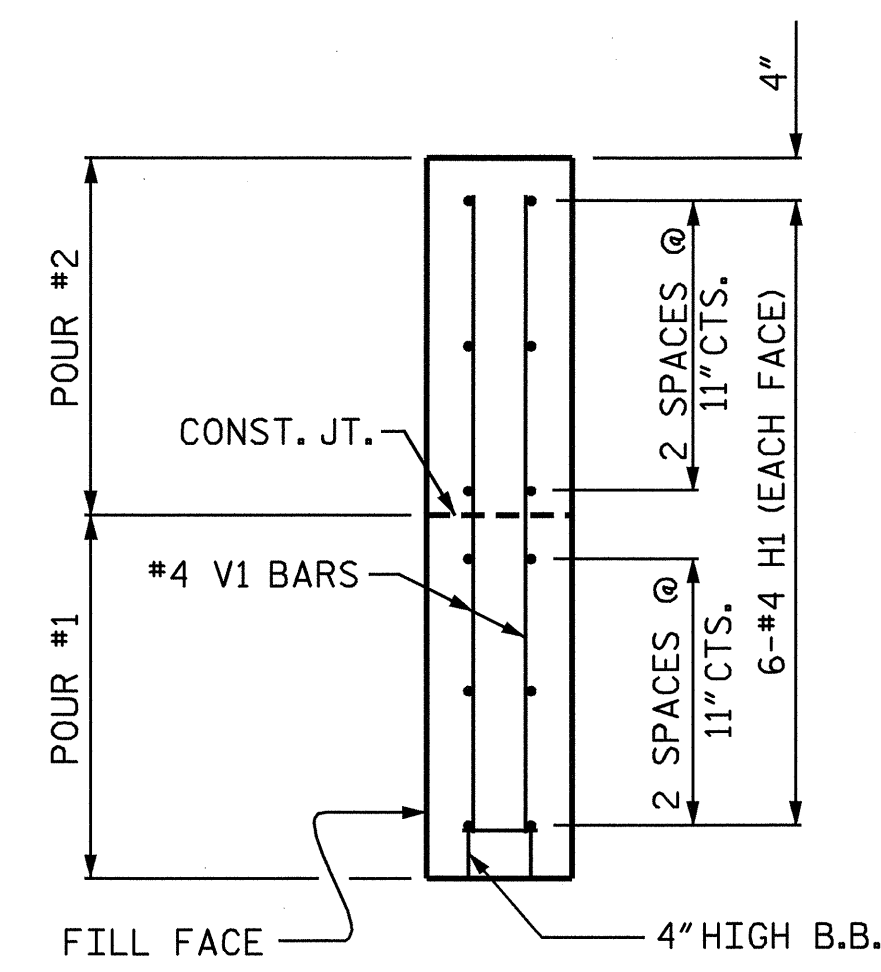
PLAN OF WING (W1)
(STAGE 1)



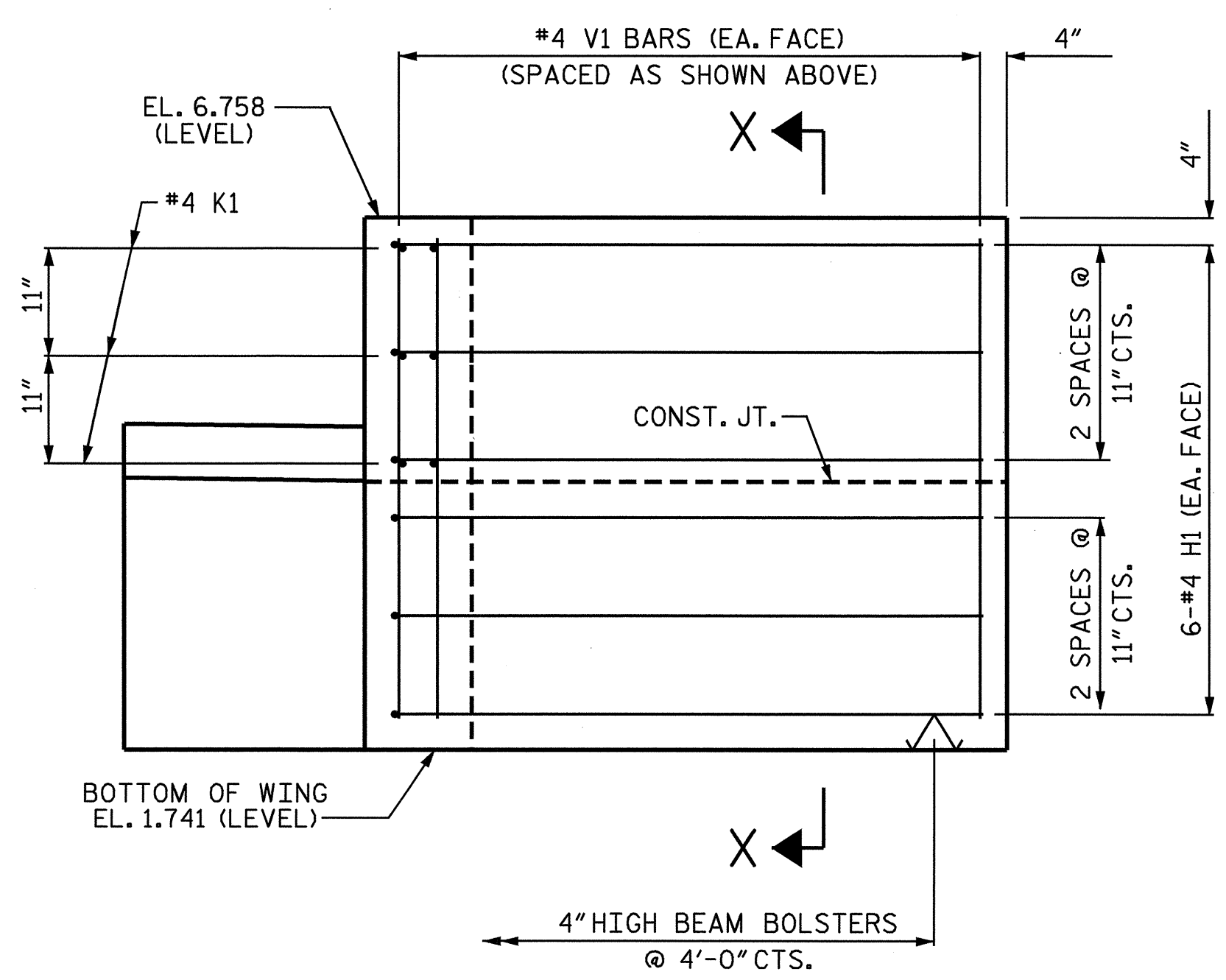
PLAN OF WING (W2)
(STAGE 2)



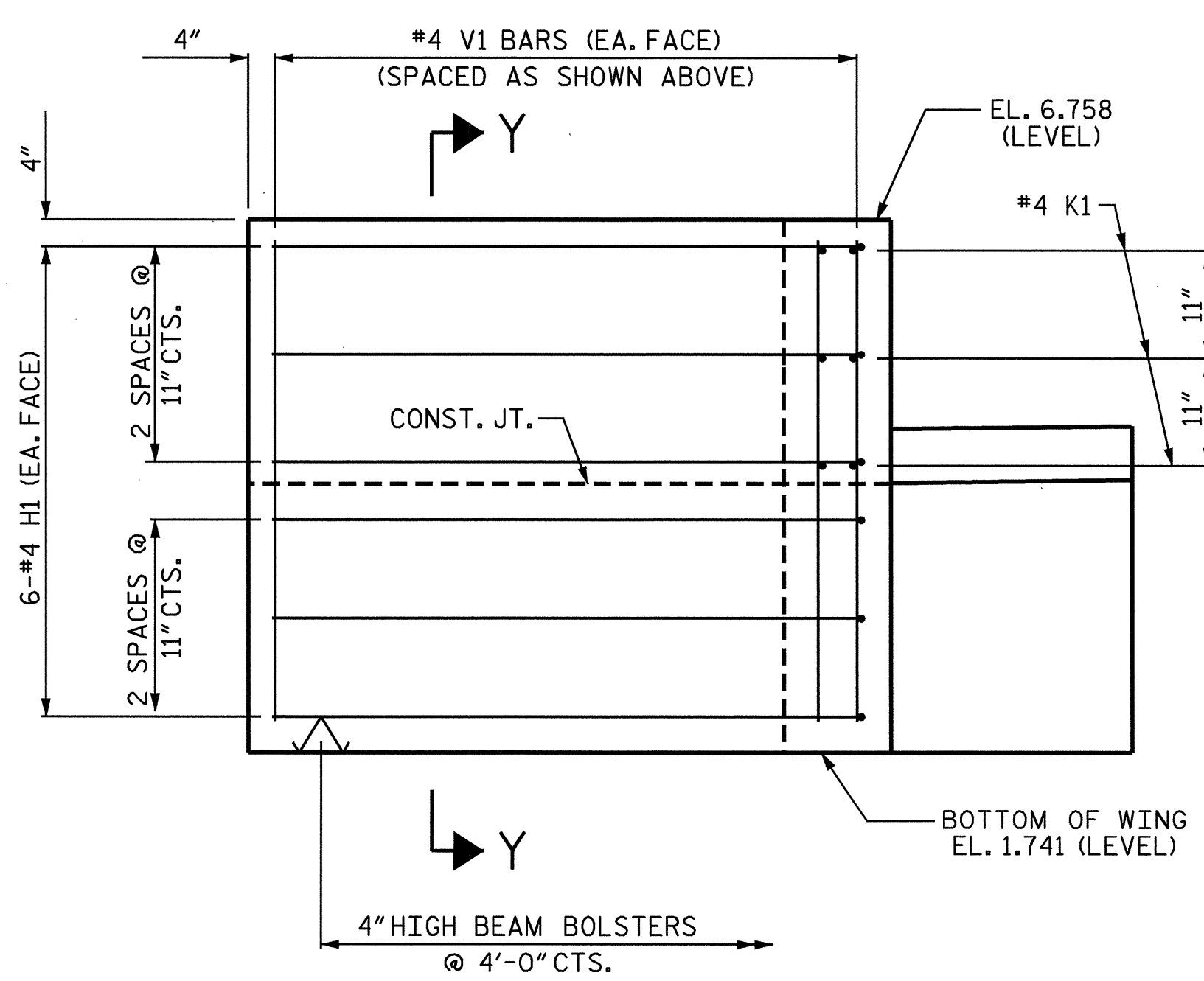
SECTION X-X



SECTION Y-Y



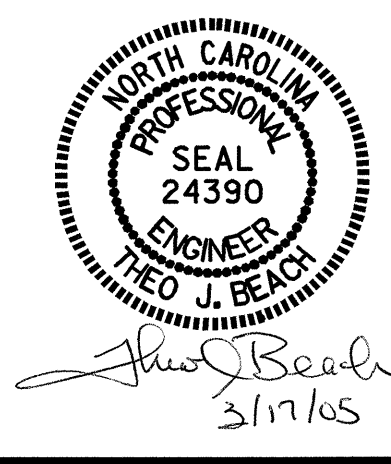
ELEVATION OF WING (W1)
(STAGE 1)



ELEVATION OF WING (W2)
(STAGE 2)

PROJECT NO. B-3349
HYDE COUNTY
STATION: 15+69.00 -L-
SHEET 3 OF 4

STATE OF NORTH CAROLINA
DEPARTMENT OF TRANSPORTATION
RALEIGH
SUBSTRUCTURE
END BENT No. 1



DRAWN BY: S.B. WILLIAMS DATE: 11-03
CHECKED BY: MIKE BRITT DATE: 1-04

REVISIONS						SHEET NO.
NO.	BY:	DATE:	NO.	BY:	DATE:	S-23
1			3			TOTAL SHEETS
2			4			44