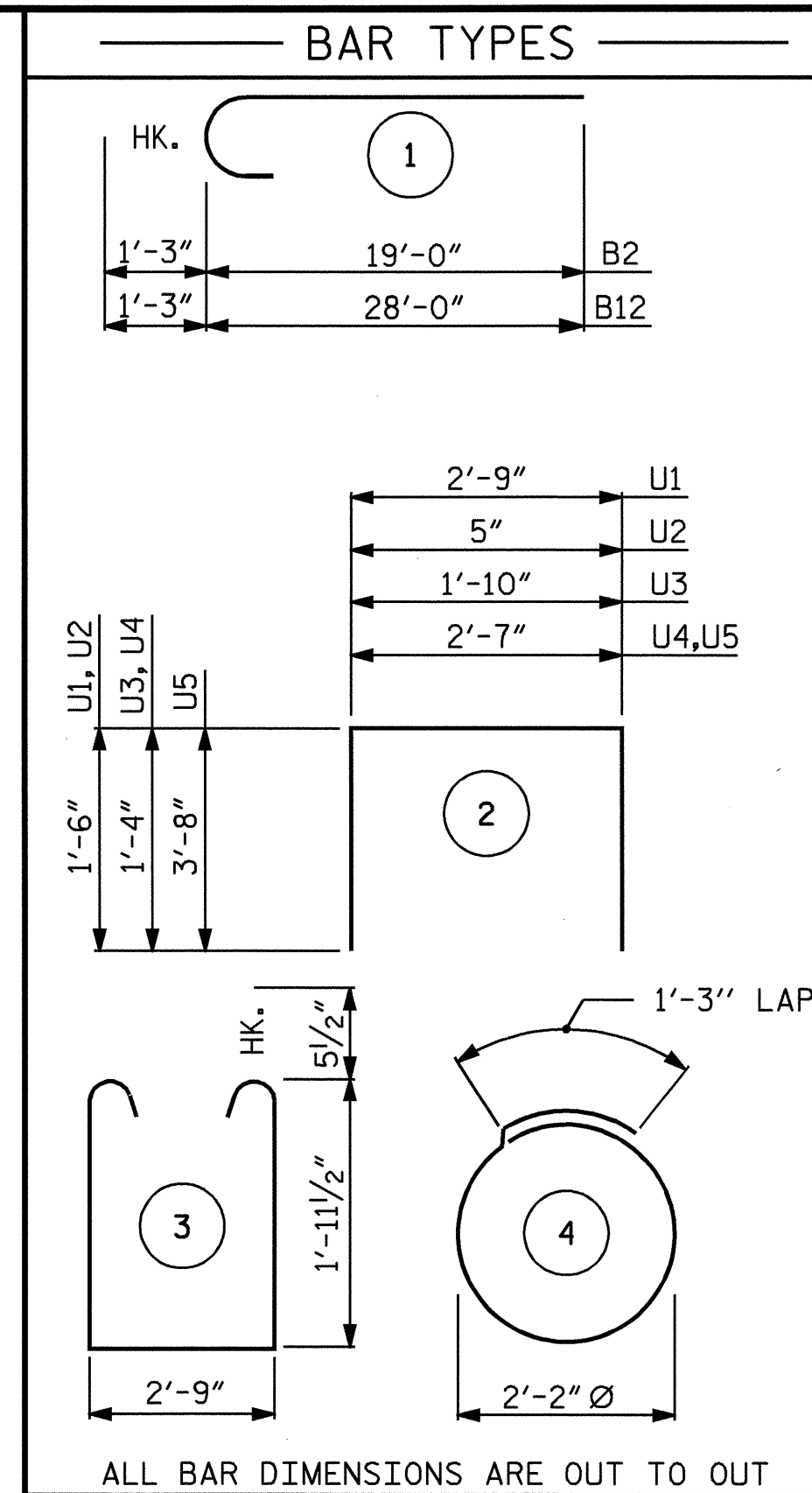


PLAN OF LATERAL GUIDE

(RIGHT LATERAL GUIDE SHOWN, LEFT LATERAL GUIDE SIMILAR)

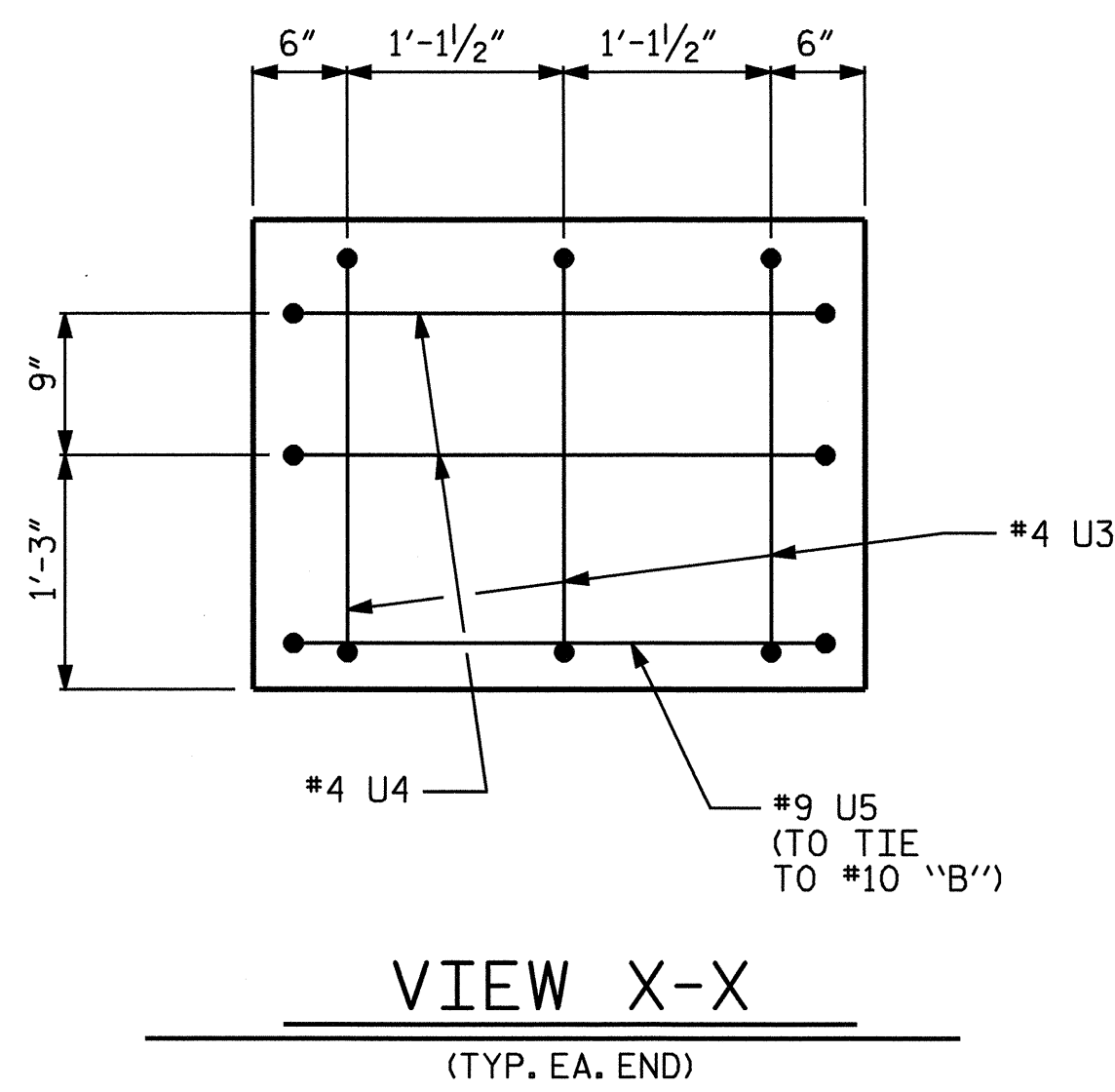
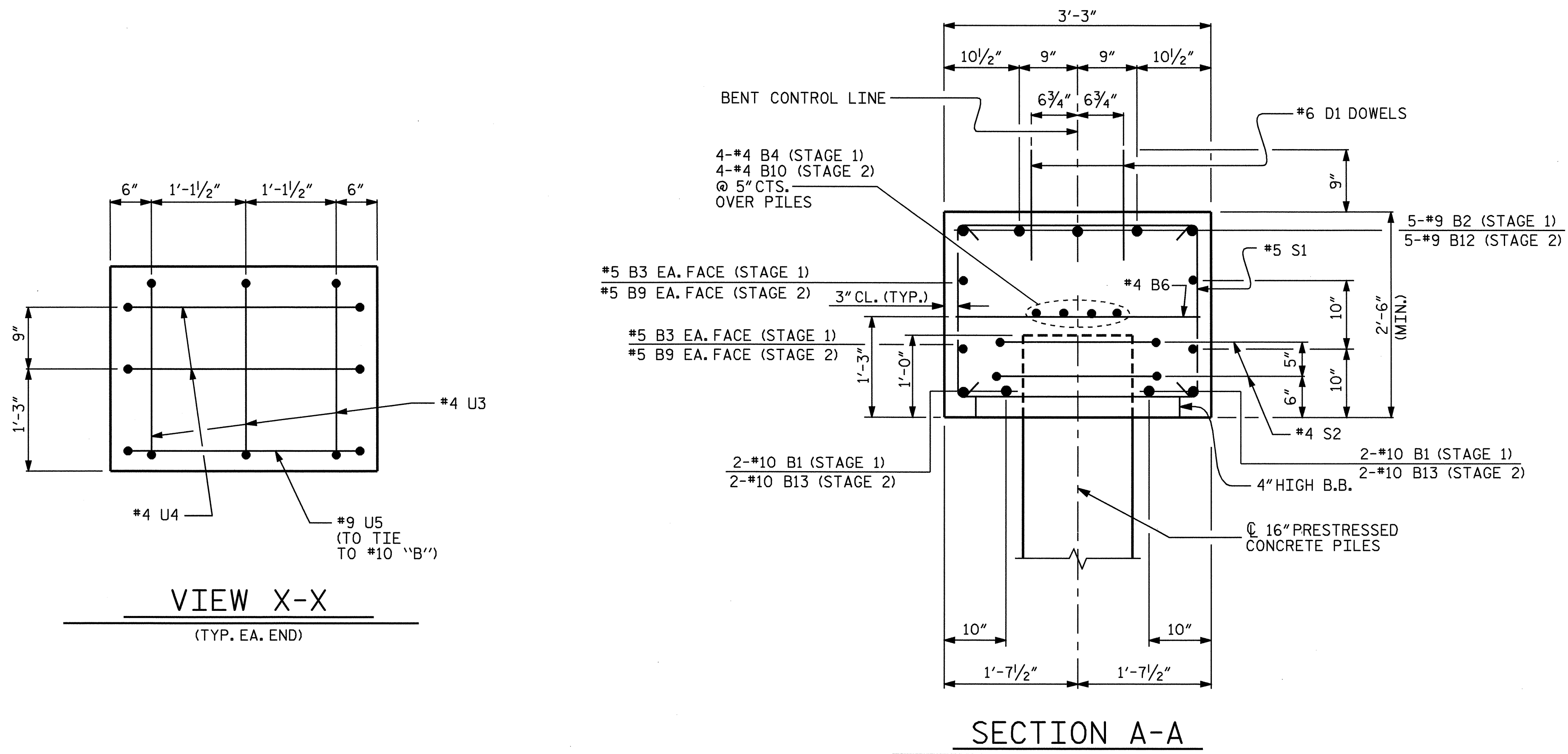


BILL OF MATERIAL BENT No. 1

STAGE 1					STAGE 2						
BAR NO.	SIZE	TYPE	LENGTH	WEIGHT	BAR NO.	SIZE	TYPE	LENGTH	WEIGHT		
B1	4	10	STR	19'-0"	327	B6	9	4	STR	2'-9"	17
B2	5	9	1	20'-3"	344	B7	4	10	STR	10'-3"	176
B3	4	5	STR	19'-0"	79	B8	5	9	STR	9'-3"	157
B4	4	4	STR	19'-0"	51	B9	4	5	STR	28'-0"	117
B5	5	4	STR	9'-6"	32	B10	4	4	STR	28'-0"	75
B6	7	4	STR	2'-9"	13	B11	5	4	STR	18'-6"	62
D1	24	6	STR	1'-6"	54	B12	5	9	1	29'-3"	497
S1	18	5	3	7'-7"	142	B13	4	10	STR	28'-0"	482
S2	8	4	4	8'-1"	43	D1	36	6	STR	1'-6"	81
U1	7	4	2	5'-9"	27	S1	28	5	3	7'-7"	221
U2	4	4	2	3'-5"	9	S2	10	4	4	8'-1"	54
U3	3	4	2	4'-6"	9	U1	13	4	2	5'-9"	50
U4	2	4	2	5'-3"	7	U2	4	4	2	3'-5"	9
U5	1	9	2	9'-11"	34	U3	3	4	2	4'-6"	9
EPOXY COATED REINFORCING STEEL					1,171 LBS.	EPOXY COATED REINFORCING STEEL					2,048 LBS.
CLASS AA CONCRETE BREAKDOWN						CLASS AA CONCRETE BREAKDOWN					
POUR #1 (CAP)					6.1 C.Y.	POUR #1 (CAP)					9.3 C.Y.
POUR #2 (LATERAL GUIDE)					0.1 C.Y.	POUR #2 (LATERAL GUIDE)					0.1 C.Y.
TOTAL CLASS AA CONCRETE					6.2 C.Y.	TOTAL CLASS AA CONCRETE					9.4 C.Y.
16" PRESTRESSED CONCRETE PILES						16" PRESTRESSED CONCRETE PILES					
NO. 9 LIN. FT. 630						NO. 9 LIN. FT. 630					

NOTE:
 THE CONCRETE DISPLACED BY THE PILES HAS BEEN DEDUCTED FROM THE CONCRETE QUANTITIES.

TOTAL QUANTITIES (BENT No. 1)			
ITEM	STAGE 1	STAGE 2	TOTAL
EPOXY COATED REINFORCING STEEL	1,171 LBS.	2,048 LBS.	3,219 LBS.
CLASS AA CONCRETE	6.2 C.Y.	9.4 C.Y.	15.6 C.Y.
16" PRESTRESSED CONCRETE PILES	NO. 9 LIN. FT. 630		NO. 9 LIN. FT. 630



PROJECT NO. B-3349
 HYDE COUNTY
 STATION: 15+69.00 -L-
 SHEET 3 OF 3



STATE OF NORTH CAROLINA DEPARTMENT OF TRANSPORTATION RALEIGH					
SUBSTRUCTURE BENT No. 1					
REVISIONS					SHEET NO.
NO.	BY:	DATE:	NO.	BY:	DATE:
1			3		
2			4		