

PLAN (STAGE 1)

NOTES

STIRRUPS AND U1 BARS IN CAP MAY BE SHIFTED AS NECESSARY TO CLEAR DOWELS.

★ INVERT ALTERNATE STIRRUPS AS SHOWN.

ALL REINFORCING STEEL AND BAR SUPPORTS SHALL BE EPOXY COATED ACCORDING TO STANDARD SPECIFICATIONS.

CLASS AA CONCRETE SHALL BE USED IN BENT CAP.

THE LATERAL GUIDE AT EACH END OF THE CAP IS NOT TO BE POURED UNTIL AFTER THE CORED SLAB UNITS IN THAT STAGE ARE IN PLACE.

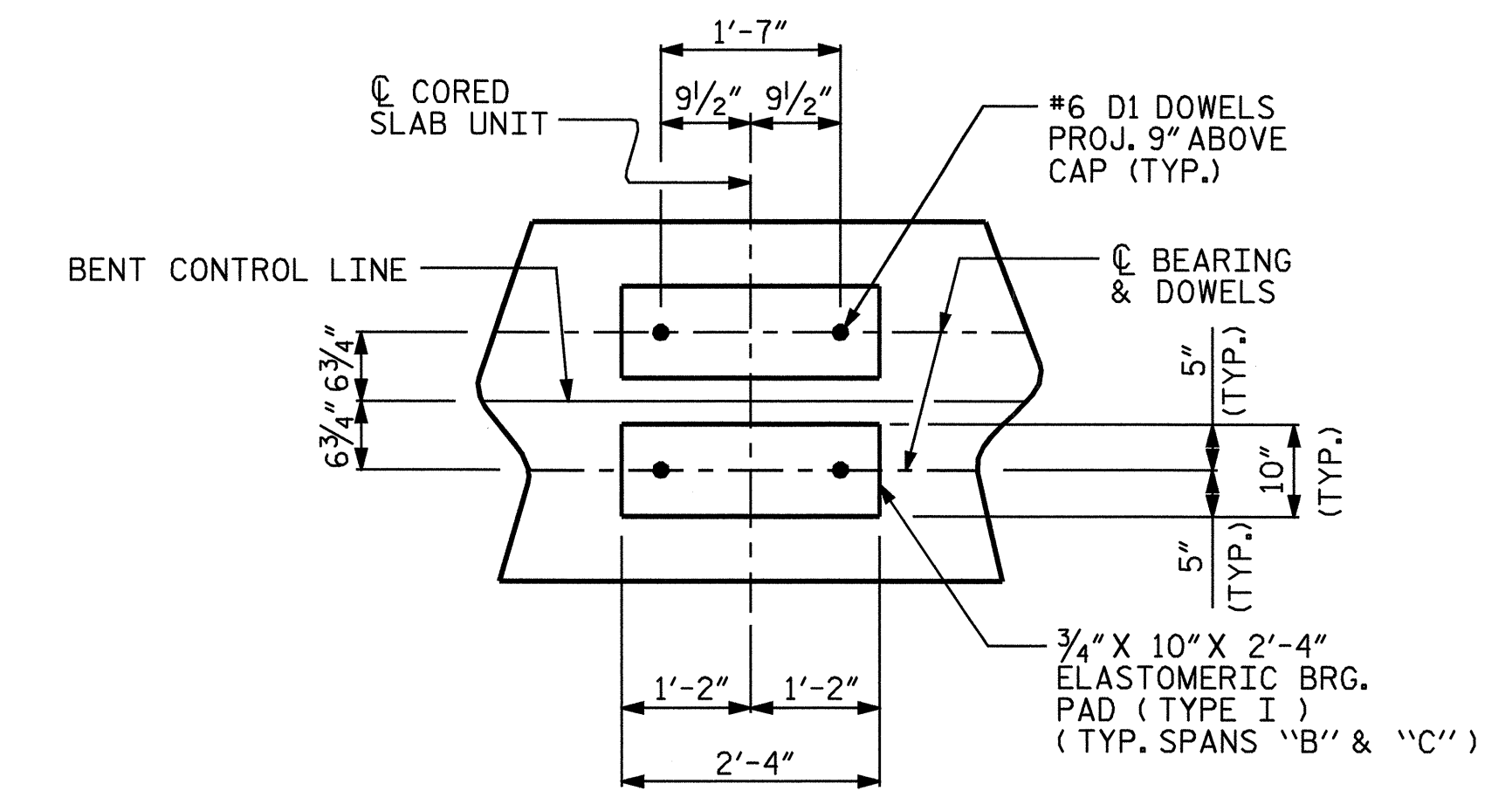
THE CONTRACTORS ATTENTION IS CALLED TO THE FACT THAT THE "B" BAR LENGTHS IN EACH STAGE OF THE CAP MAY NEED TO BE ADJUSTED DUE TO THE TYPE OF MECHANICAL COUPLER CHOSEN BY THE CONTRACTOR. NO ADDITIONAL PAYMENT WILL BE MADE FOR ANY ADJUSTMENTS REQUIRED. THE #10 B7 AND #9 B8 ARE DETAILED WITH 9" EXTRA LENGTH.

FOR MECHANICAL COUPLERS, SEE MECHANICAL BUTT SPLICES FOR REINFORCING STEEL SPECIAL PROVISION.

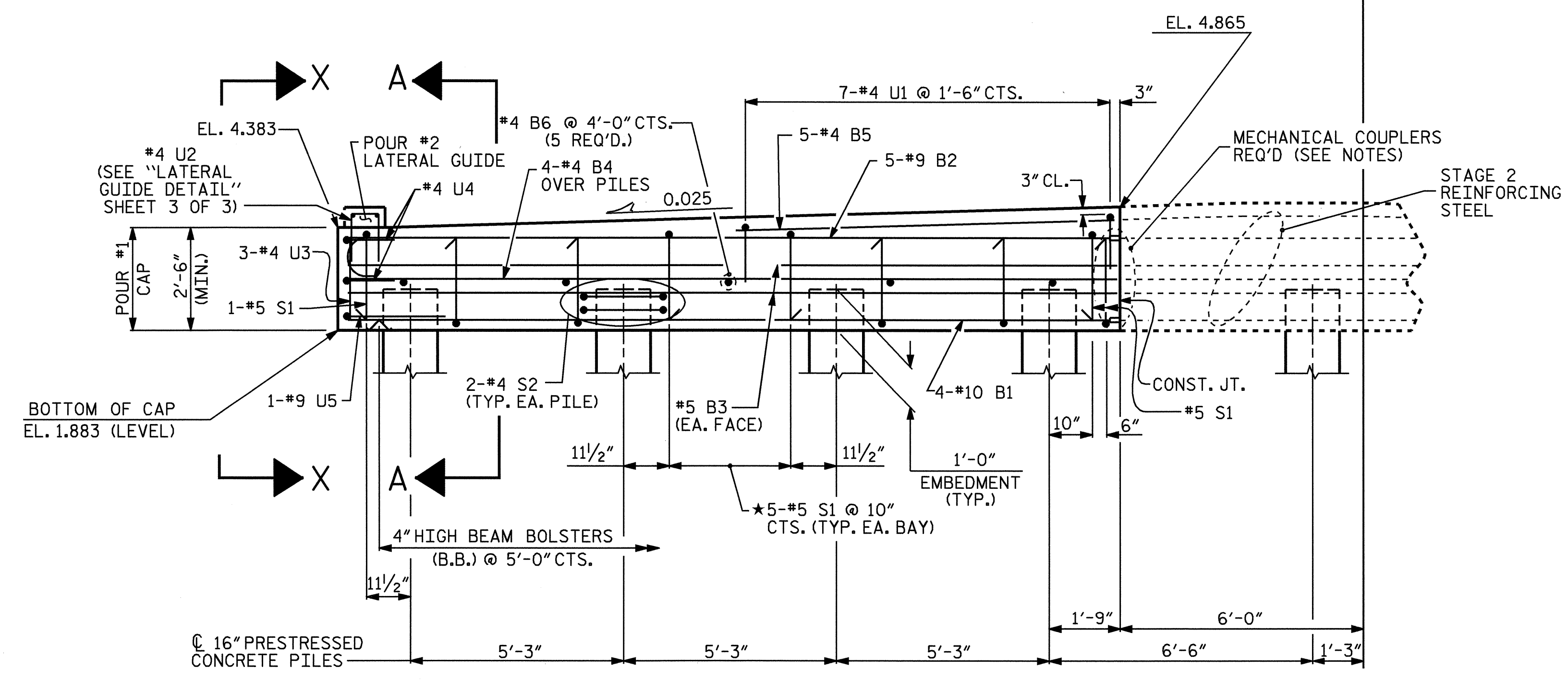
MECHANICAL COUPLERS TO BE PLUGGED DURING POURING OF THE BENT CAP AS RECOMMENDED BY THE MANUFACTURER.

MECHANICAL COUPLERS SHALL BE USED TO JOIN THE #10 B1 & #9 B2 BARS IN STAGE 1 WITH THE #10 B7 AND #9 B8 BARS IN STAGE 2. THE LOCATION OF THE COUPLERS SHALL NOT EXTEND BEYOND THE STAGE 1 CONSTRUCTION JOINT.

ALL PILES MAY BE DRIVEN IN STAGE 1. SEE GENERAL DRAWING SHEET 2 OF 4.



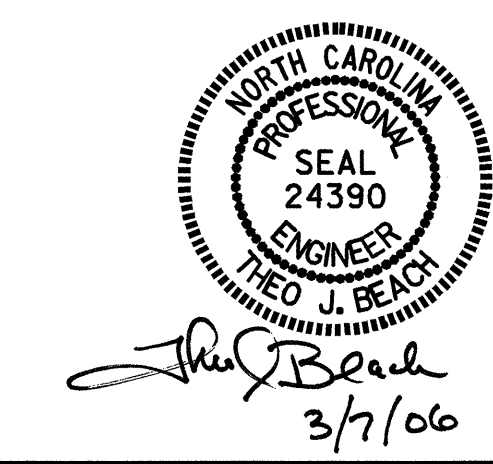
DETAIL "A"
(TYPICAL EA. STAGE)



ELEVATION (STAGE 1)

PROJECT NO. B-3349
 COUNTY HYDE
 STATION: 15+69.00 -L-
 SHEET 1 OF 3

STATE OF NORTH CAROLINA
 DEPARTMENT OF TRANSPORTATION
 RALEIGH
 SUBSTRUCTURE
 BENT No. 2
 (STAGE 1)



REVISIONS						SHEET NO.	
NO.	BY:	DATE:	NO.	BY:	DATE:	S-28	
1			3			TOTAL SHEETS 44	
2			4				

DRAWN BY: S.B. WILLIAMS DATE: 8-16-04
 CHECKED BY: MIKE BRITT DATE: 8-31-04