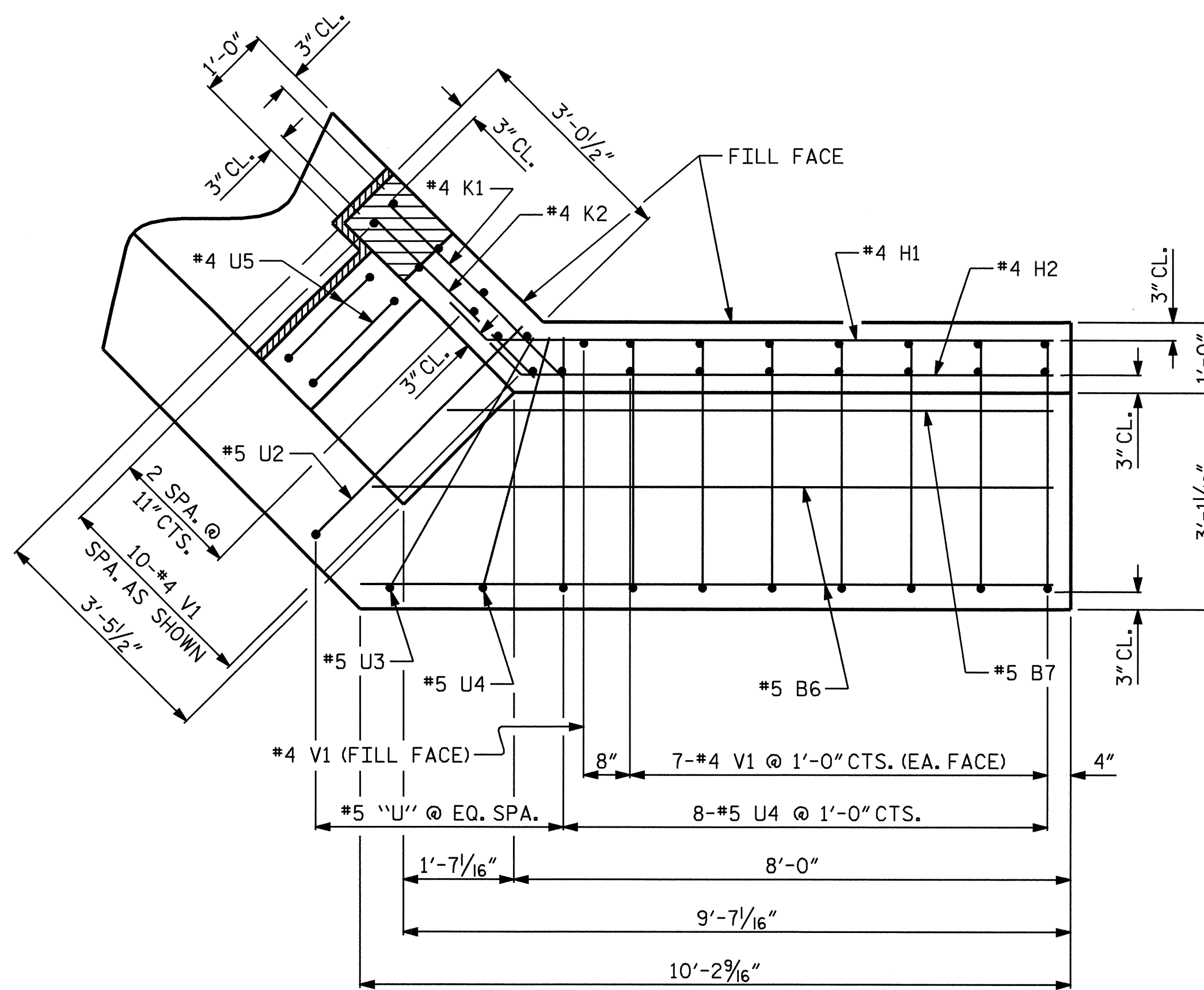
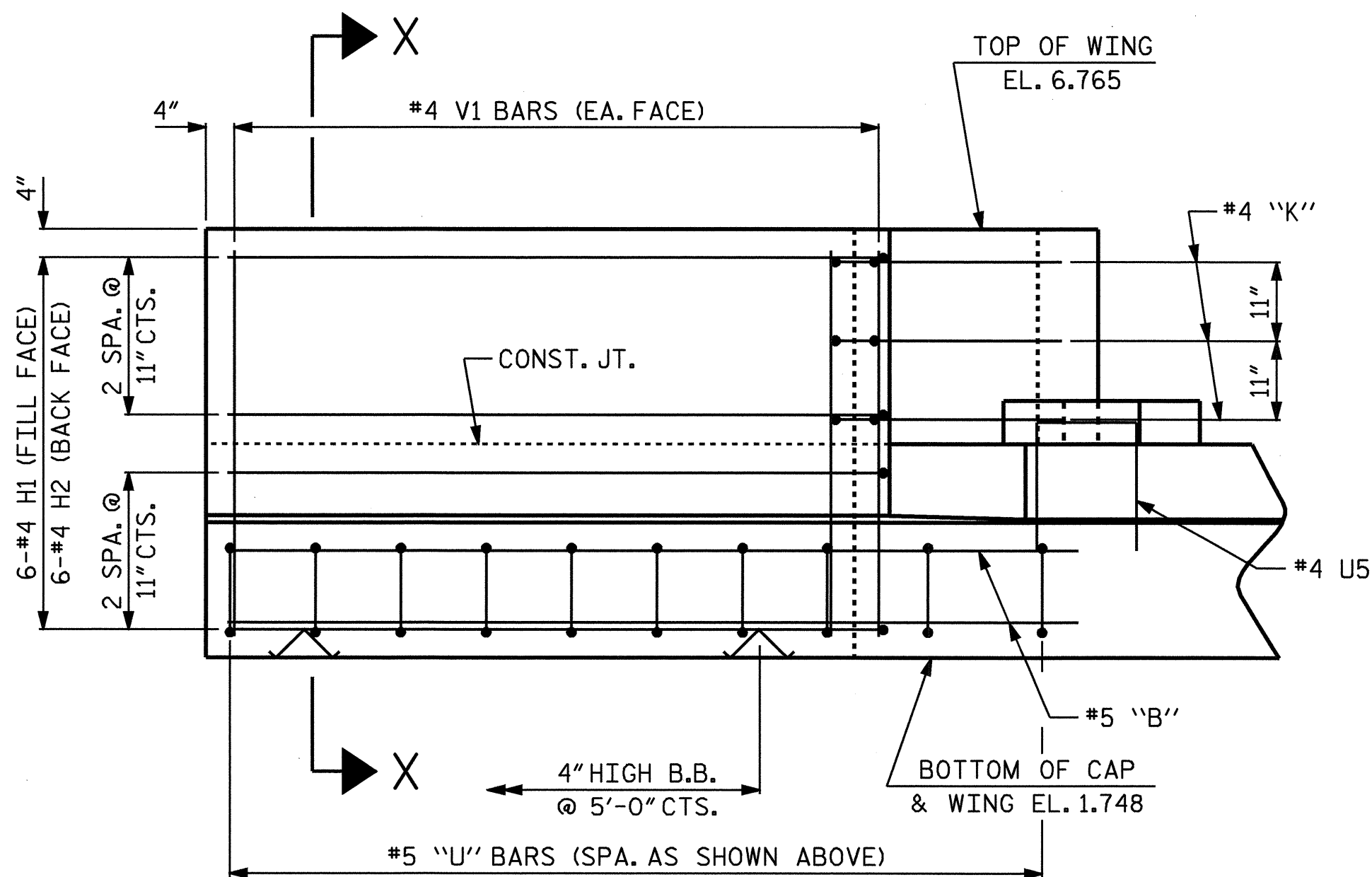


PLAN OF WING (W1)  
(STAGE 1)

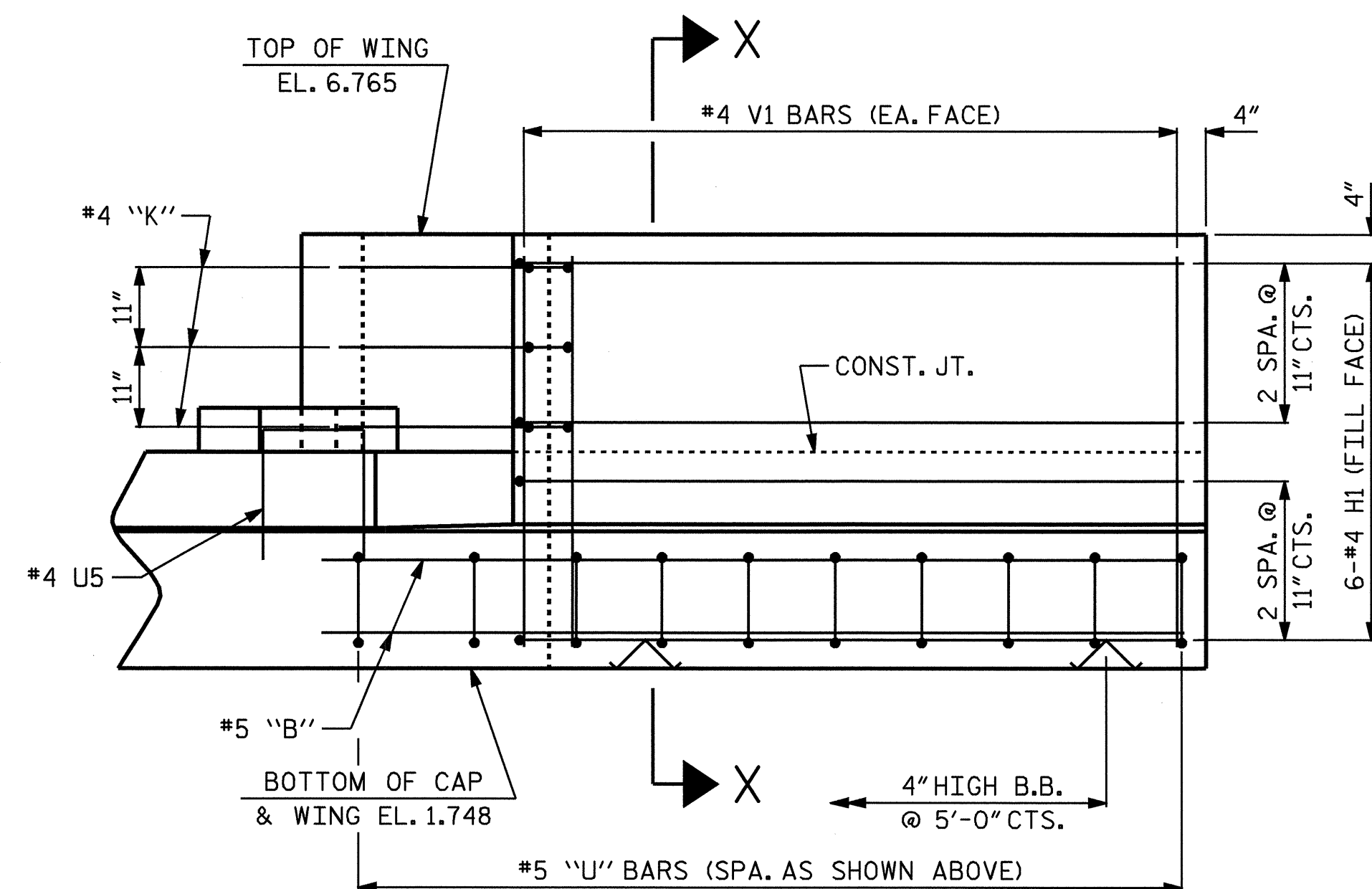


PLAN OF WING (W2)  
(STAGE 2)

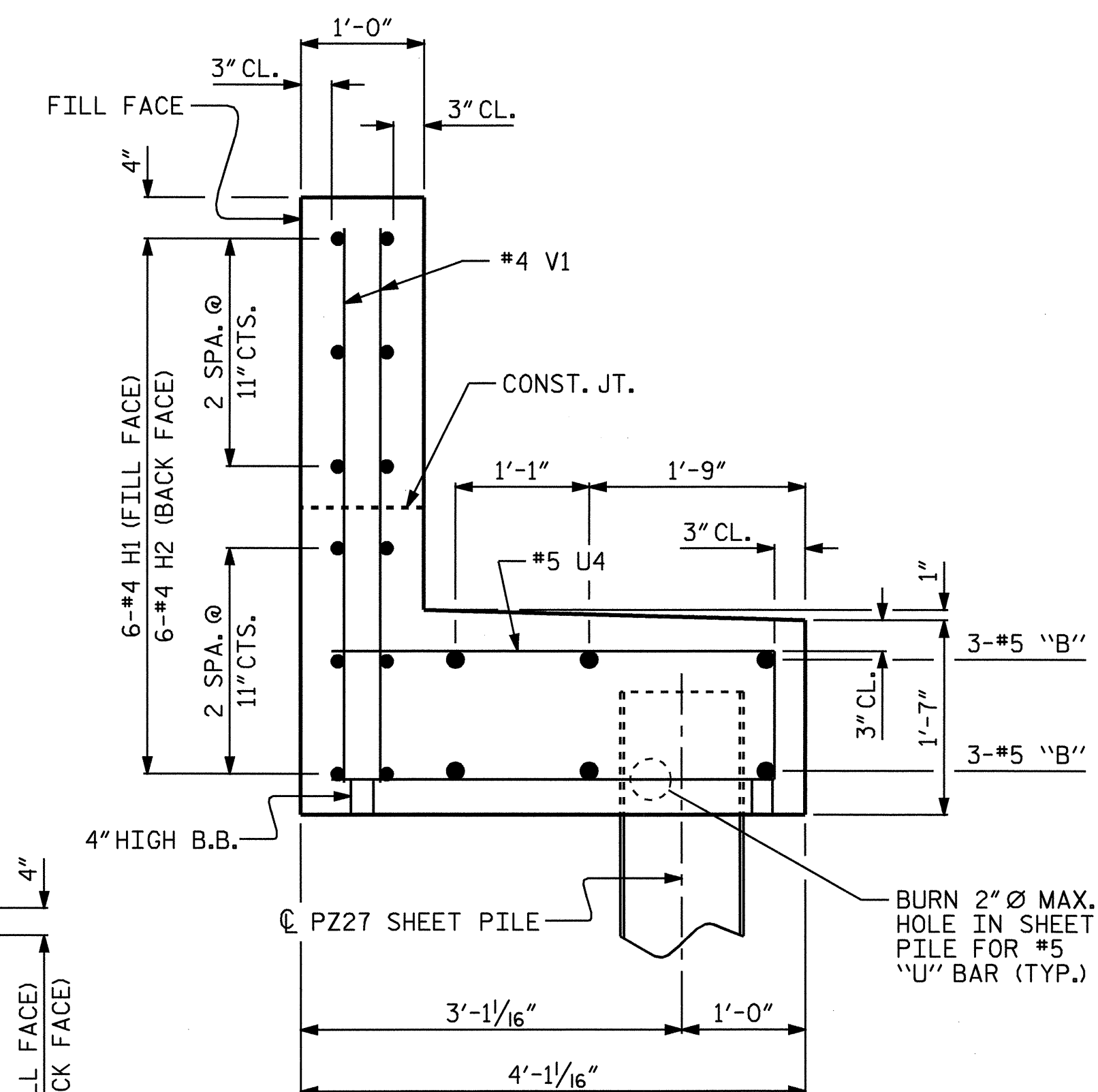
NOTE:  
FOR CLARITY, SHEET PILES ARE NOT  
SHOWN IN PLAN AND ELEVATION VIEWS.



ELEVATION OF WING (W1)  
(STAGE 1)



ELEVATION OF WING (W2)  
(STAGE 2)



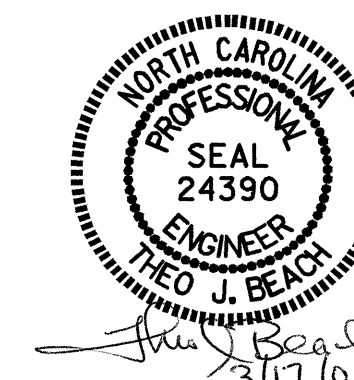
SECTION X-X

PROJECT NO. B-3349  
HYDE COUNTY  
STATION: 15+69.00 -L-

SHEET 5 OF 6

STATE OF NORTH CAROLINA  
DEPARTMENT OF TRANSPORTATION  
RALEIGH

SUBSTRUCTURE  
END BENT No. 2



DRAWN BY: P.C. BREWER DATE: 2/9/05  
CHECKED BY: S.B. WILLIAMS DATE: 2/21/05

17-MAR-2005 14:13  
W:\squad\b3349\pbrewer\W8\B3349\_sd\_EB2\_01.dgn  
mbr11+

REVISIONS						SHEET NO.	
NO.	BY:	DATE:	NO.	BY:	DATE:	S-39	
1			3			TOTAL SHEETS	
2			4			44	