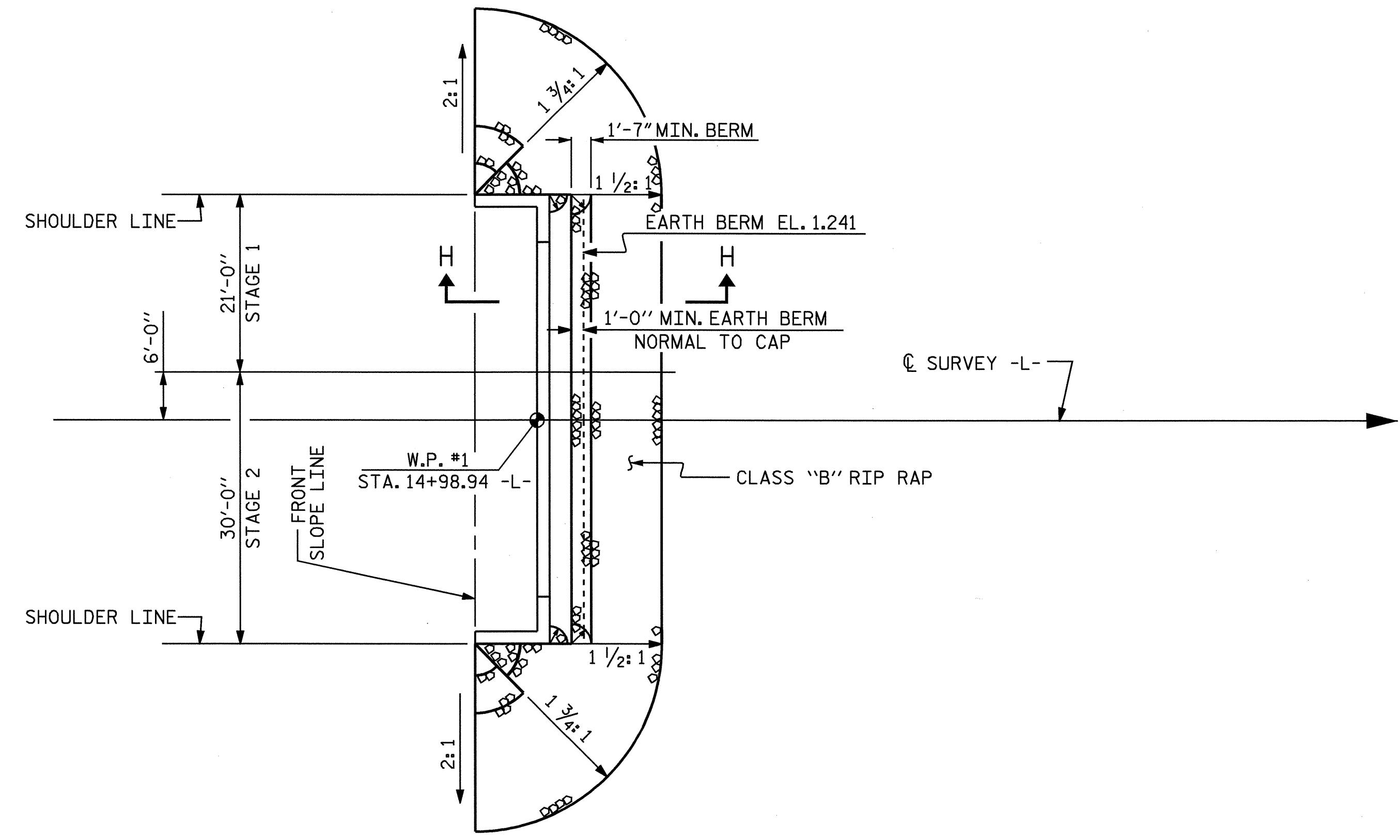


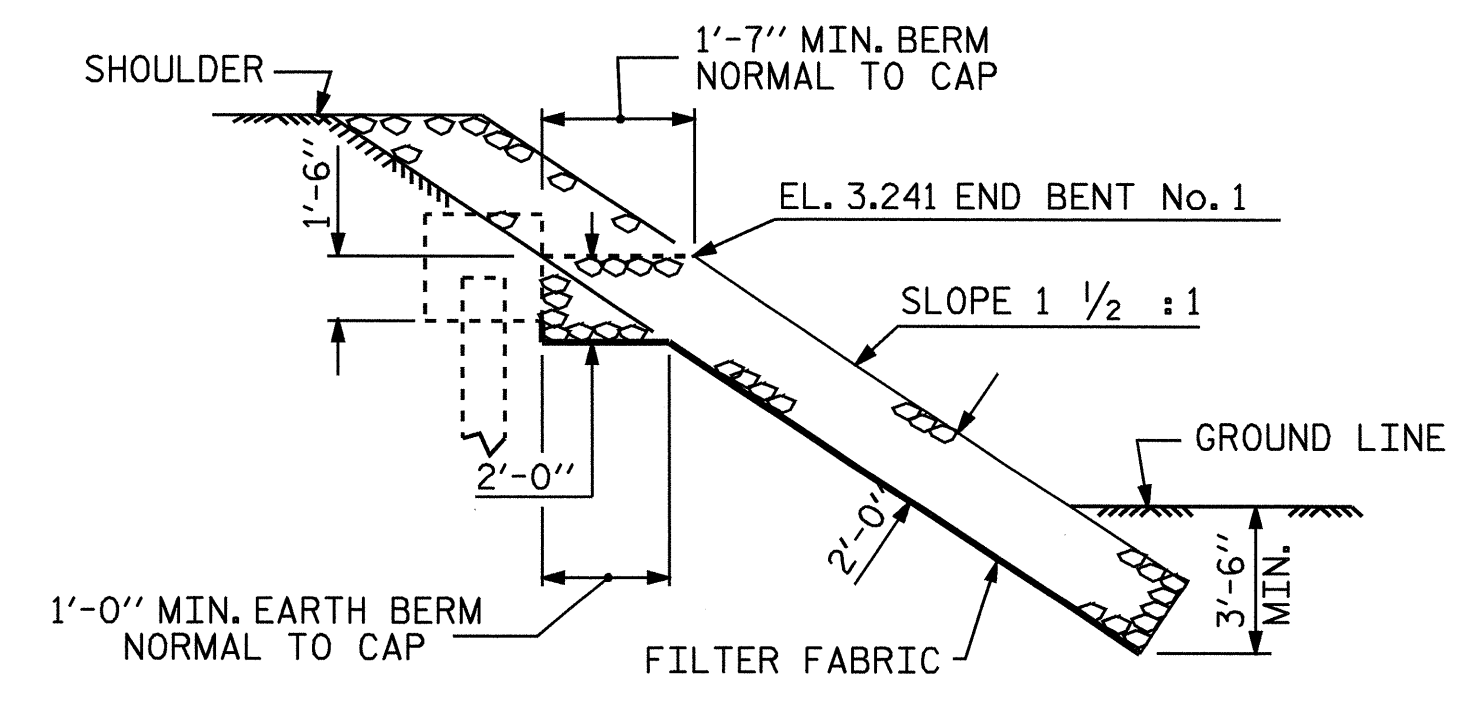
NOTE :
SEE ROADWAY PLANS AND DETAILS FOR CLASS I RIP RAP ON ROADWAY SHOULDERS.



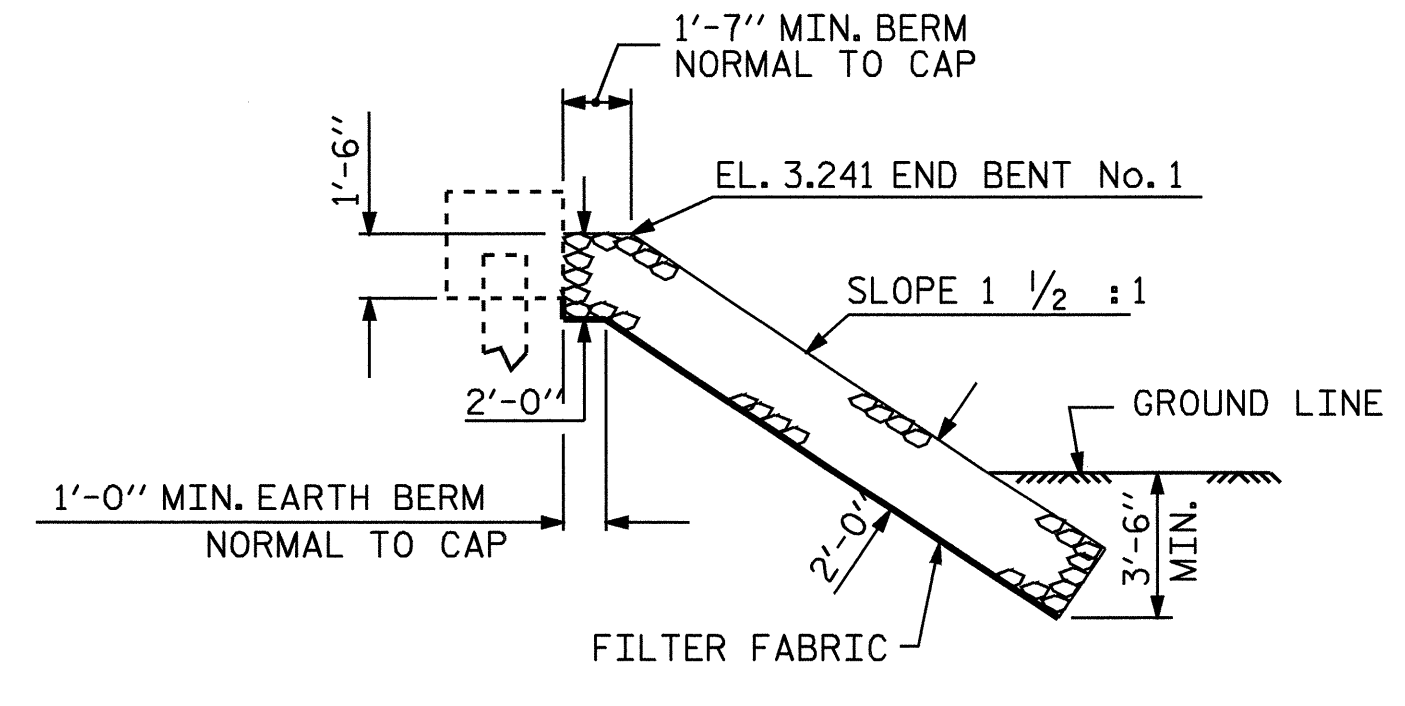
END BENT NO. 1

PLAN

ESTIMATED QUANTITIES			
BRIDGE @ STA. 15+69.00 -L-	PLAIN RIP RAP CLASS B		FILTER FABRIC FOR DRAINAGE
	TONS		SQUARE YARDS
	STAGE 1	STAGE 2	-----
END BENT No. 1	31	39	78



SECTION H-H



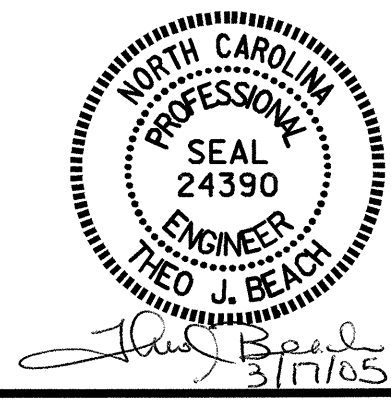
**SECTION
BERM RIP RAPPED**

PROJECT NO. B-3349
HYDE COUNTY
STATION: 15+69.00 -L-

STATE OF NORTH CAROLINA
DEPARTMENT OF TRANSPORTATION
RALEIGH

— RIP RAP DETAILS —

REVISIONS						SHEET NO.
NO.	BY:	DATE:	NO.	BY:	DATE:	S-42
1			3			TOTAL SHEETS
2			4			44



ASSEMBLED BY : S.B. WILLIAMS DATE : 1/05/04
CHECKED BY : C.H. SIMPSON DATE : 1/29/04
DRAWN BY : FCJ 2/88 REV. 7/17/98 REK/RWW
CHECKED BY : ARB 8/88 REV. 8/16/99 RWW/LES
REV. 10/17/00 RWW/LES