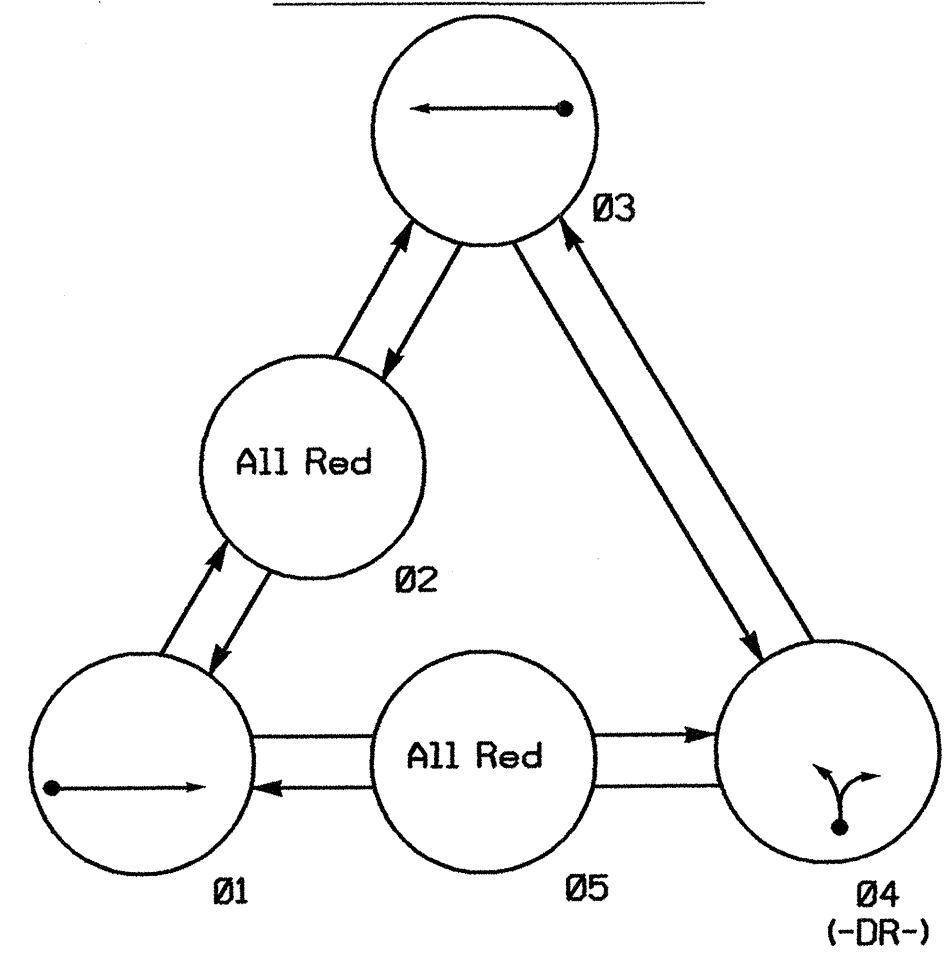


PHASING DIAGRAM



PHASING DIAGRAM DETECTION LEGEND

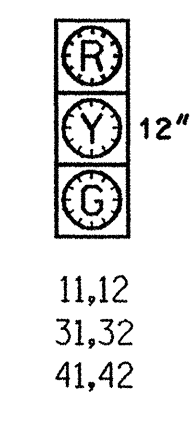
- → DETECTED MOVEMENT
- → UNDETECTED MOVEMENT (OVERLAP)
- UN SIGNALIZED MOVEMENT
- PEDESTRIAN MOVEMENT

TABLE OF OPERATION

SIGNAL FACE	PHASE					FLASH
	Ø 1	Ø 2	Ø 3	Ø 4	Ø 5	
11, 12	G	R	R	R	R	R
31, 32	R	R	G	R	R	R
41, 42	R	R	R	G	R	R

SIGNAL FACE I.D.

Denotes L.E.D.



2070L LOOP & DETECTOR INSTALLATION

LOOP	SIZE (FT)	TURNS	DISTANCE FROM STOPBAR (FT)	DETECTOR PROGRAMMING								
				NEW LOOP	PHASE	CALLING	EXTENSION	FULL TIME DELAY	SYSTEM LOOP	STRETCH TIME	DELAY TIME	NEW CARD
1A	6x40	2-4-2	0	-	1	Y	Y	-	-	-	-	-
3A	6x40	2-4-2	0	-	3	Y	Y	-	-	-	-	-
4A	6x15	4	0	X	4	Y	Y	-	-	-	3	-

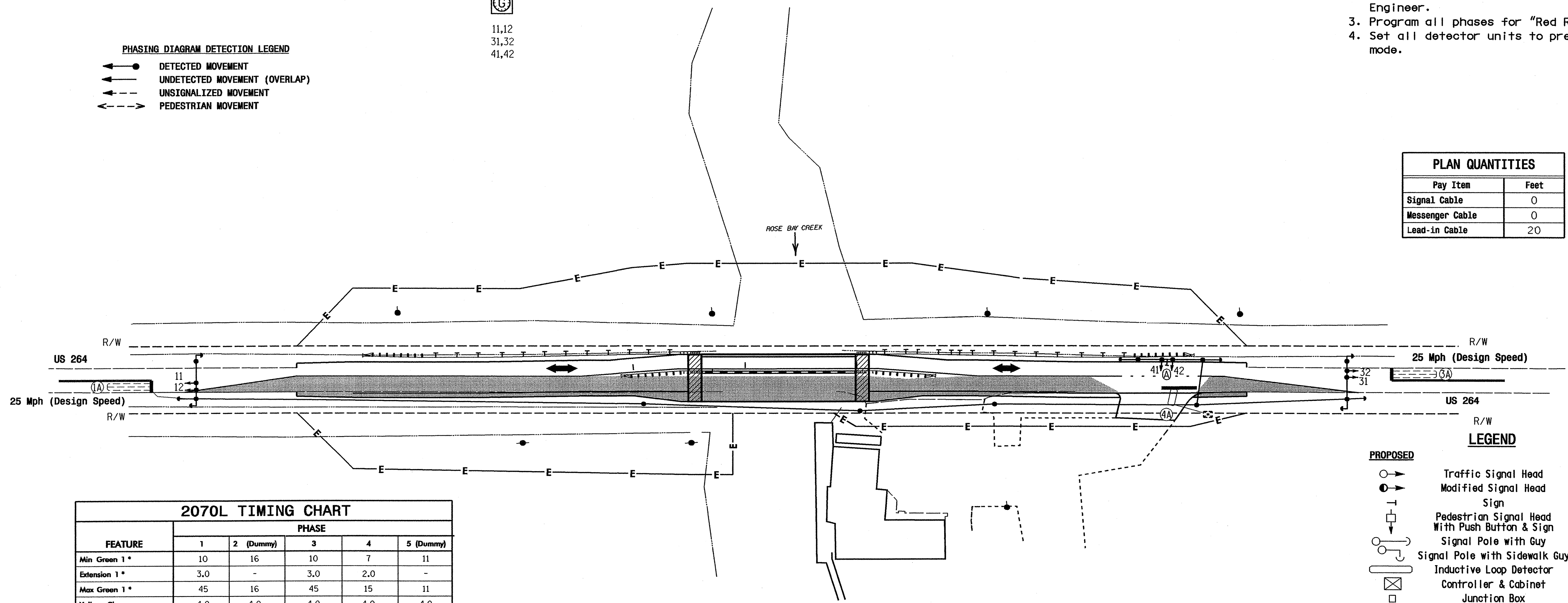
3 Phase Fully Actuated (Isolated)

NOTES

1. Refer to "Roadway Standard Drawings NCDOT" dated January 2002 and "Standard Specifications for Roads and Structures" dated January 2002.
2. Do not program signal for late night flashing operation unless otherwise directed by the Engineer.
3. Program all phases for "Red Rest".
4. Set all detector units to presence mode.

PLAN QUANTITIES

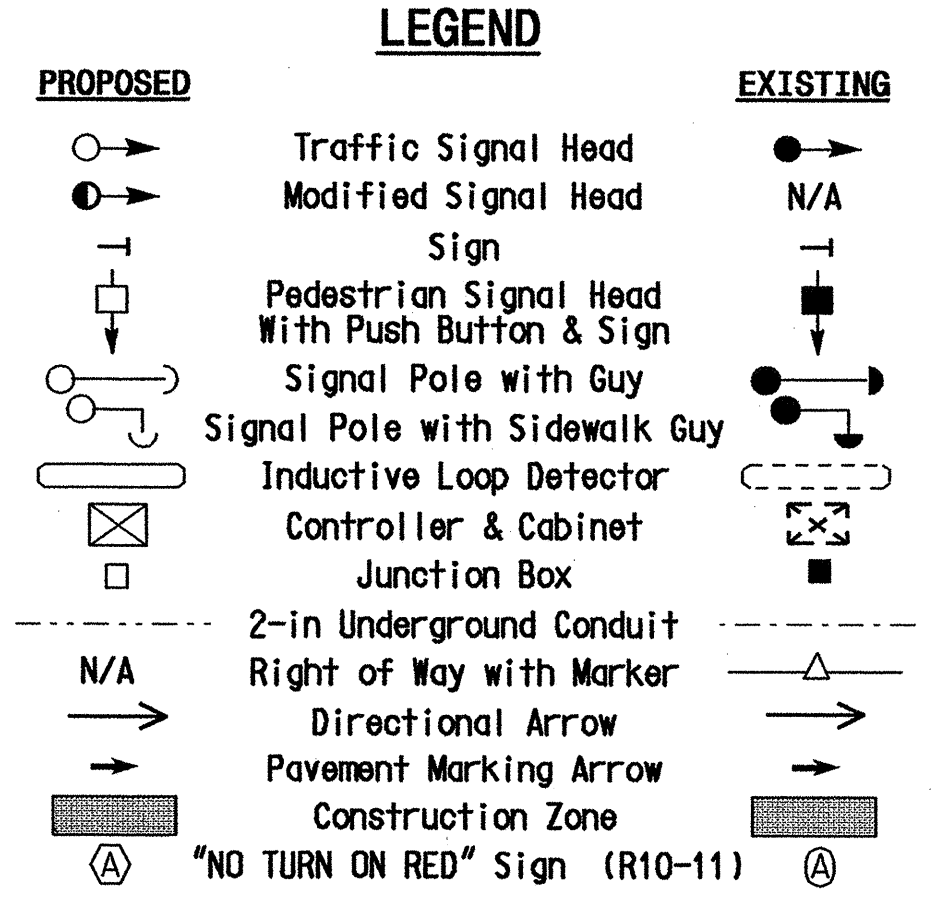
Pay Item	Feet
Signal Cable	0
Messenger Cable	0
Lead-in Cable	20



2070L TIMING CHART

FEATURE	PHASE				
	1	2 (Dummy)	3	4	5 (Dummy)
Min Green 1 *	10	16	10	7	11
Extension 1 *	3.0	-	3.0	2.0	-
Max Green 1 *	45	16	45	15	11
Yellow Clearance	4.0	4.0	4.0	4.0	4.0
Red Clearance	10	5	10	10	5
Walk 1 *	-	-	-	-	-
Don't Walk 1	-	-	-	-	-
Seconds Per Actuation *	-	-	-	-	-
Max Variable Initial *	-	-	-	-	-
Time Before Reduction *	-	-	-	-	-
Time To Reduce *	-	-	-	-	-
Minimum Gap	-	-	-	-	-
Recall Mode	-	-	-	-	-
Vehicle Call Memory	-	-	-	-	-
Dual Entry	-	-	-	-	-
Simultaneous Gap	ON	ON	ON	ON	ON

* These values may be field adjusted. Do not adjust Min Green and Extension times lower than what is shown. Min Green for all other phases should not be lower than 4 seconds.



(Temporary Signal 2 - TCP Phase II)

	<p>US 264 At Bridge No. 32 Over Rose Bay Creek</p>		
	<p>Division 1 Hyde County W. of Swan Quarter</p>		
<p>122 N. McDowell St., Raleigh, NC 27603</p>	<p>PLAN DATE: January 2004</p>	<p>REVIEWED BY:</p>	<p>SEAL</p>
<p>SCALE: 0 50 1"=50'</p>	<p>PREPARED BY: JGalloway</p>	<p>REVIEWED BY:</p>	<p>DATE: 3/3/04</p>
<p>SIG. INVENTORY NO. 01-0739 T2</p>		<p>TIMOTHY J. WILLIAMS</p>	