

19-OCT-2004 11:39 M:\Special Details\ward\stds\02\stds to Special Details\english\86202\0862d02.dgn ericward AT DS212260

STATE OF NORTH CAROLINA DEPT. OF TRANSPORTATION DIVISION OF HIGHWAYS RALEIGH, N.C.

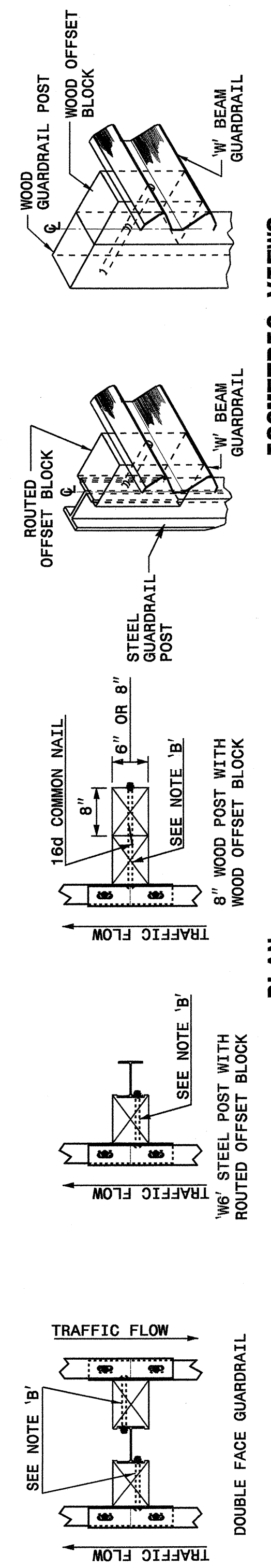
STATE OF NORTH CAROLINA DEPT. OF TRANSPORTATION DIVISION OF HIGHWAYS RALEIGH, N.C.

ENGLISH DETAIL DRAWING FOR GUARDRAIL INSTALLATION

ENGLISH DETAIL DRAWING FOR GUARDRAIL INSTALLATION

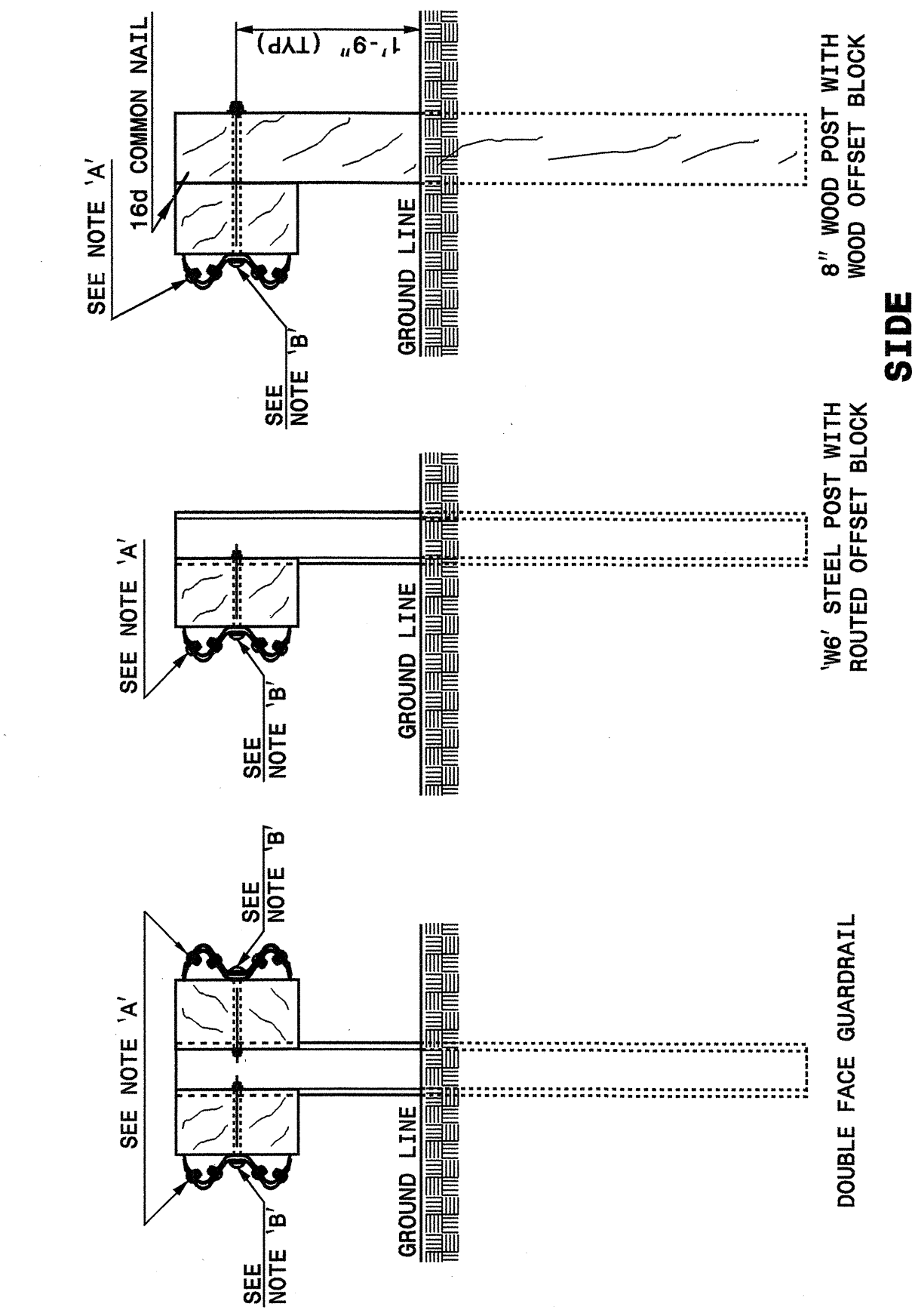
SHEET 3 OF 7 862D02

SHEET 3 OF 7 862D02



PLAN

ISOMETRIC VIEWS



TYPICAL GUARDRAIL AND GUARDRAIL POST ALTERNATIVES

NOTES:
 A - 3/8" DIA. BUTTON HEAD SPLICE BOLT 1 1/4" LONG (8 REQ. PER SPLICE JOINT).
 B - 3/8" DIA. BUTTON HEAD BOLT 7 1/2" / 9" LONG WITH NUT FOR BOLTING 6" / 8" ROUTED OFFSET BLOCK TO STEEL POSTS OR 5/8" DIA. BUTTON HEAD BOLT 18" LONG WITH STD. WASHER UNDER NUT FOR BOLTING TO WOOD POSTS (1 REQ. PER LOCATION)
 C - FIELD PUNCHING OF HOLES INTO GUARDRAIL SHALL BE AS DIRECTED BY THE ENGINEER.

STATE OF NORTH CAROLINA DEPT. OF TRANSPORTATION DIVISION OF HIGHWAYS RALEIGH, N.C.

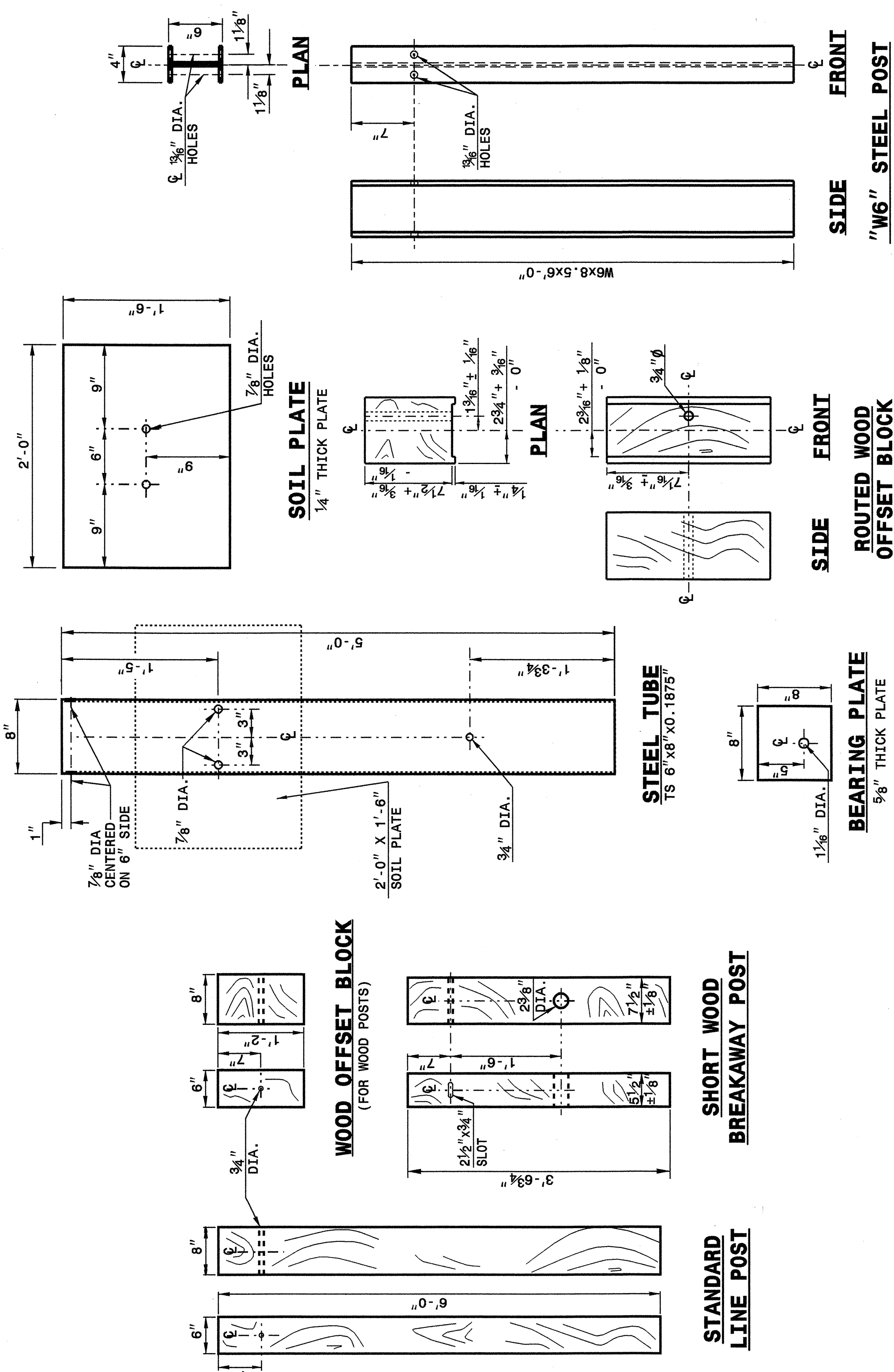
STATE OF NORTH CAROLINA DEPT. OF TRANSPORTATION DIVISION OF HIGHWAYS RALEIGH, N.C.

ENGLISH DETAIL DRAWING FOR GUARDRAIL INSTALLATION

ENGLISH DETAIL DRAWING FOR GUARDRAIL INSTALLATION

SHEET 4 OF 7 862D02

SHEET 4 OF 7 862D02



PROJECT SERVICES UNIT STANDARDS AND SPECIAL DESIGN Office 919-250-4128 FAX 919-250-4119

SEE PLATE FOR TITLE

ORIGINAL BY: 2002 STD.862.02 DATE: MODIFIED BY: E.E. WARD DATE: 02-09-03 CHECKED BY: DATE: 10/21/04 FILE SPEC.: /stds/02todetail/english/86202/862d02.dgn

