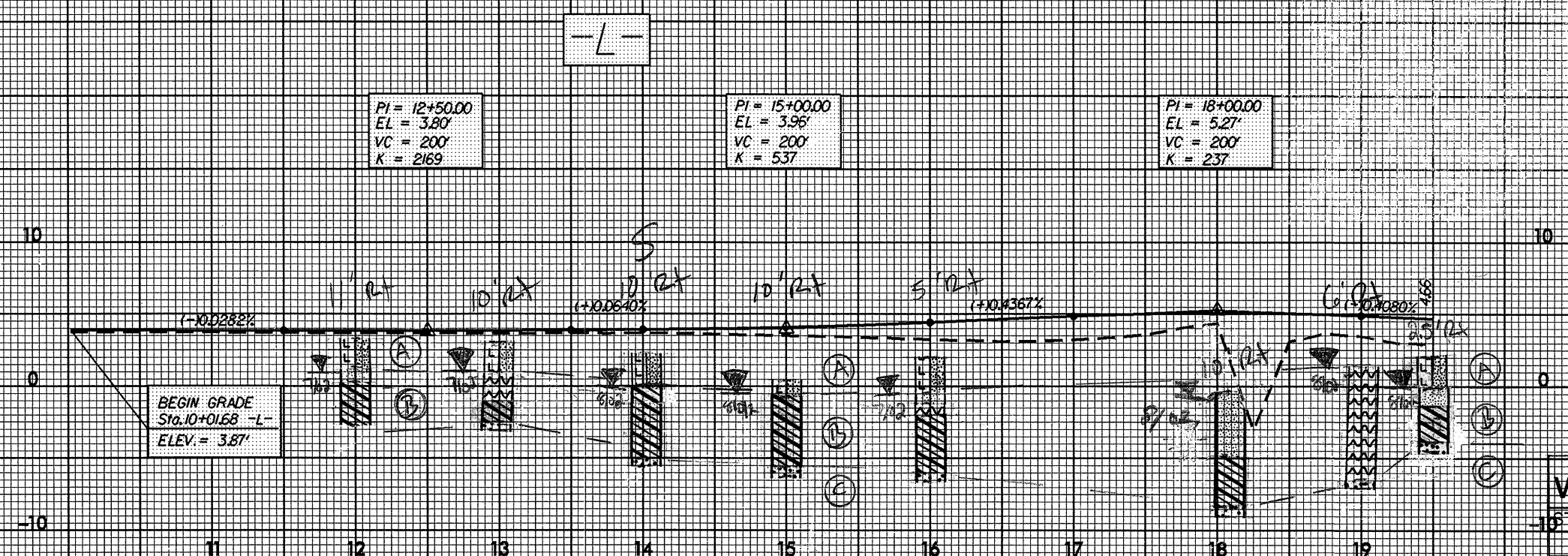


5/28/99



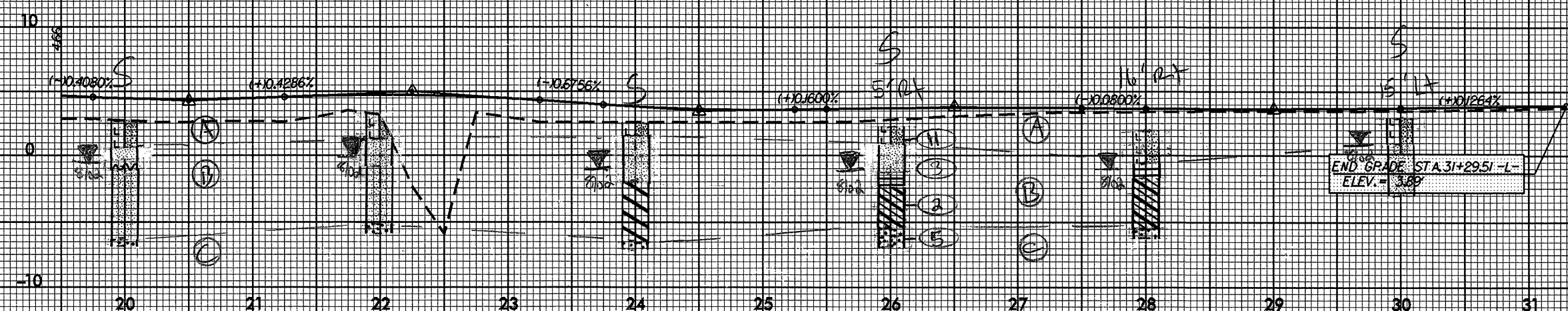
VANE SHEAR TESTS

STATION	OFFSET	DEPTH (ft)	S (psf)	SR (psf)
19+00	6' RT	1	397	
19+00	6' RT	2	752	
19+00	6' RT	3	793	
19+00	6' RT	4	940	
19+00	6' RT	5	606	
19+00	6' RT	6	992	

Soil Sample Test Results

SAMPLE NO.	STATION	OFFSET	DEPTH INTERVAL	CLASSIFICATION	LL	PI	% BY WEIGHT				% PASSING (SIEVES)			% MOISTURE	% ORGANIC
							C SAND	F SAND	SILT	CLAY	#10	#40	#200		
S-3	14+00	19' RT	1.00-3.50	A-4(0)	19	NP	0.5	57.5	25.7	38.5	100	100	84		
S-4	14+00	16' RT	3.50-6.00	A-6(7)	29	12	0.2	33.8	27.5	38.8	100	100	77	28.3	
S-5	20+00	CL	0.00-3.00	A-4(0)	27	NP	4.5	54.3	27.1	14.2	100	97	62		
S-6	20+00	CL	3.00-3.50	A-7-S(25)	46	18	6.1	14.4	39.0	40.5	100	96	86	88.8	22.0
S-7	20+00	CL	3.50-8.00	A-4(5)	26	9	0.4	31.0	38.2	30.4	100	100	79	20.0	
S-8	24+00	CL	1.00-4.50	A-4(0)	22	NP	0.6	70.3	16.9	12.2	100	100	43		
S-9	24+00	CL	4.50-6.00	A-7-S(31)	60	29	2.5	14.0	40.8	42.6	100	98	90	93	
SS-1	26+00	5' RT	1.00-3.50	A-4(0)	22	4	1.1	66.4	18.3	14.2	100	100	45		
SS-2	26+00	5' RT	3.50-4.50	A-5(5)	52	NP	2.8	35.4	32.4	28.3	100	98	79	59.9	14.1
SS-3	26+00	5' RT	4.50-7.50	A-6(12)	33	18	0.4	30.0	27.1	42.5	100	100	77	34.8	
SS-4	26+00	5' RT	7.50-10.00	A-2-4(0)	23	NP	22.2500	80.8	9.8	9.1	100	100	30		
S-10	30+00	15' LT	1.00-3.00	A-4(5)	29	VC = 200	35.3	41.8	22.3		100	VC = 100	78		
S-11	30+00	15' LT	3.00-6.00	A-4(6)	27	10 = 1810.2	30.6	40.8	28.4		100	K = 1800	82	29.9	

- Ⓐ Medium Stiff to Stiff Gray Sandy Silt, Mo. (Fill)
- Ⓑ Soft Gray Brown Organic Silt, Clay, and muck, Wet
- Ⓒ Loose Gray Fine Sand, Sat



VANE SHEAR TESTS

STATION	OFFSET	DEPTH (ft)	S (psf)	SR (psf)
26+00	21' RT	1	522	
26+00	21' RT	2	439	
26+00	21' RT	3	510	
26+00	21' RT	4	740	

19-AUG-2002 18:16
 R:\P\0\1833-18\11_10027-0024
 11/10/02