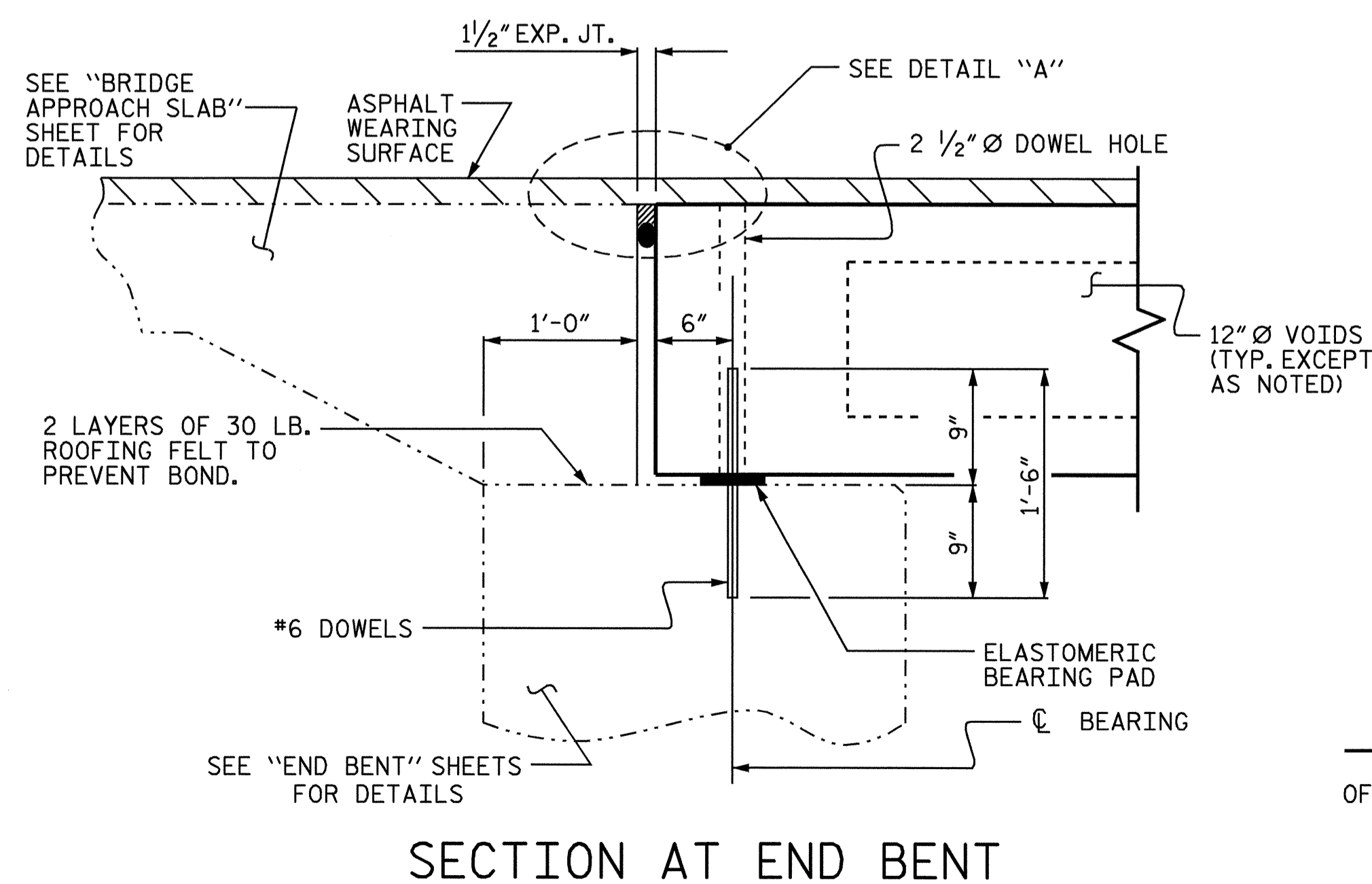


HALF SECTION AT INTERMEDIATE DIAPHRAGM

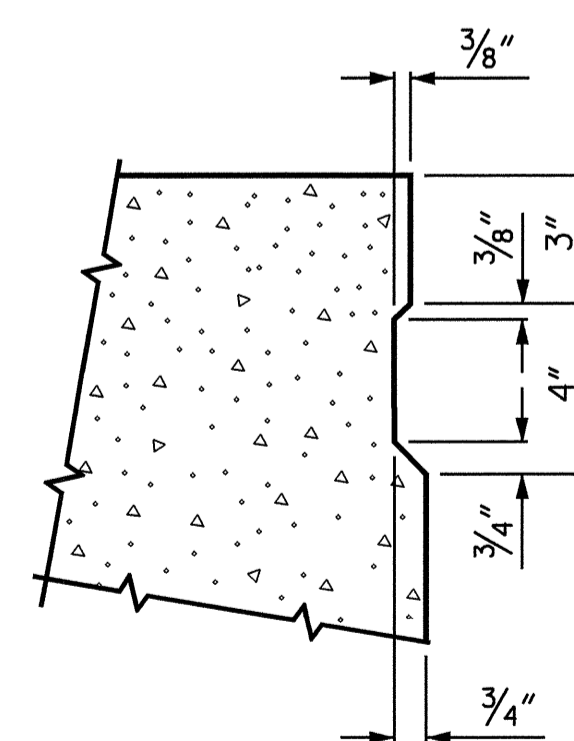
HALF SECTION AT VOIDS

**TYPICAL SECTION**

FINAL BRIDGE (STAGE 1 AND 2 COMPLETE)  
(FOR VIEWS A-A, B-B, & C-C, SEE SHEET 2 OF 2)

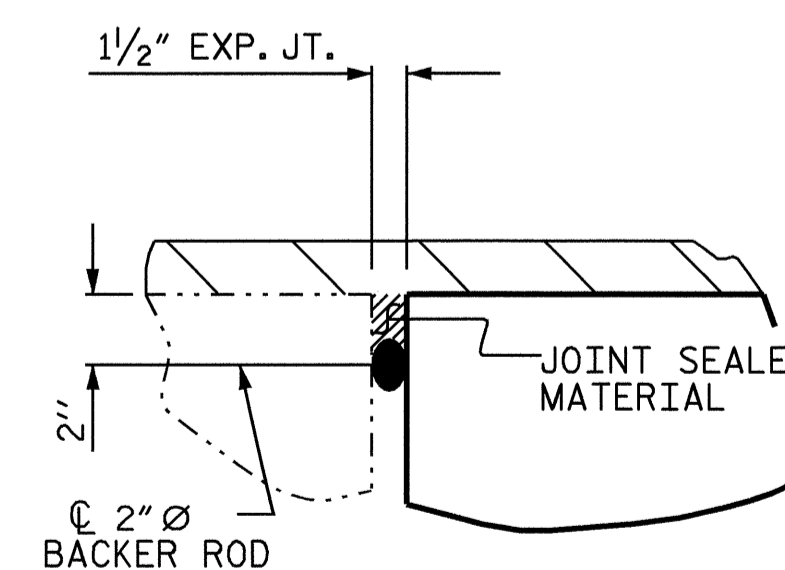


**SECTION AT END BENT**



**SHEAR KEY DETAIL**

NOTE: OMIT SHEAR KEY ON OUTSIDE FACE OF EXTERIOR (TYPE I AND TYPE VI) CORED SLABS.



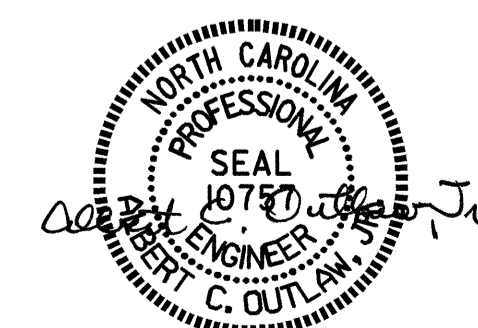
**DETAIL "A"**

PROJECT NO. B-3348  
HYDE COUNTY  
STATION: 18+34.00 -L-

SHEET 1 OF 2

STATE OF NORTH CAROLINA  
DEPARTMENT OF TRANSPORTATION  
RALEIGH

SUPERSTRUCTURE  
TYPICAL SECTION



2/23/05

DRAWN BY: P.C. BREWER DATE: 1/14/04  
CHECKED BY: A.C. OUTLAW DATE: 1/20/04

22-FEB-2005 09:18  
E:\squad\vb3348\str1\pbrewer\Microstation\B3348.sd...01.dgn  
pbrewer

REVISIONS						SHEET NO.	
NO.	BY:	DATE:	NO.	BY:	DATE:	S-5	
1			3			TOTAL SHEETS	
2			4			76	

STR. #1