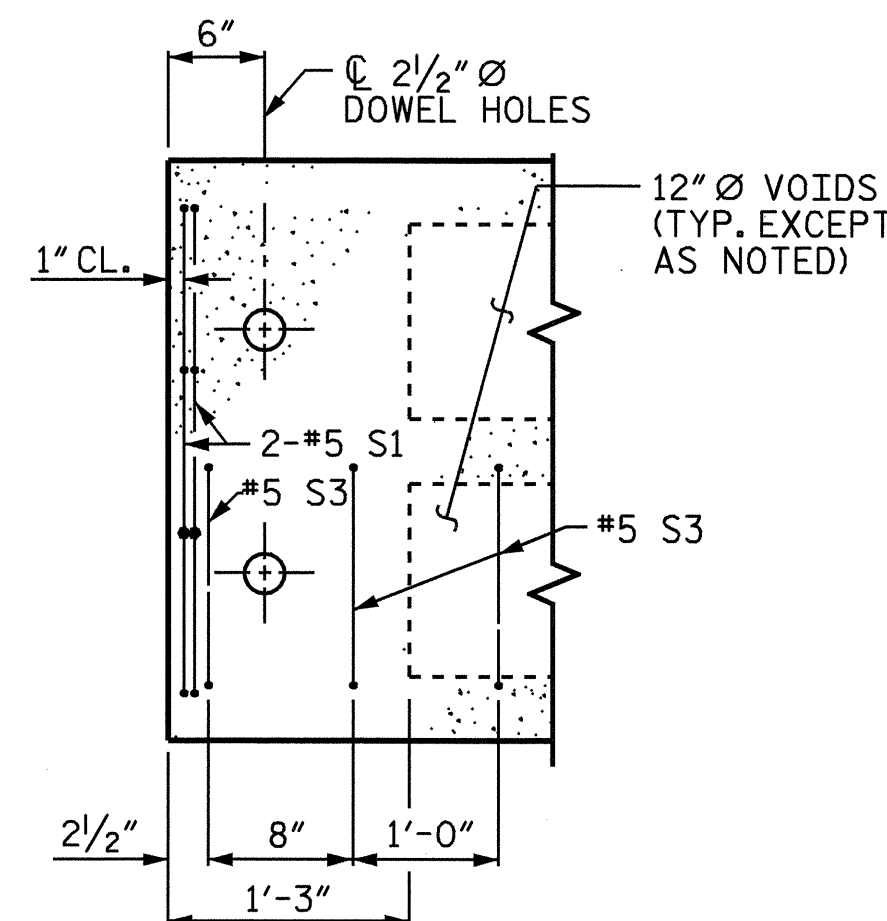


NOTE:  
FOR LOCATION OF  
VIEWS, SEE SHEET  
1 OF 2

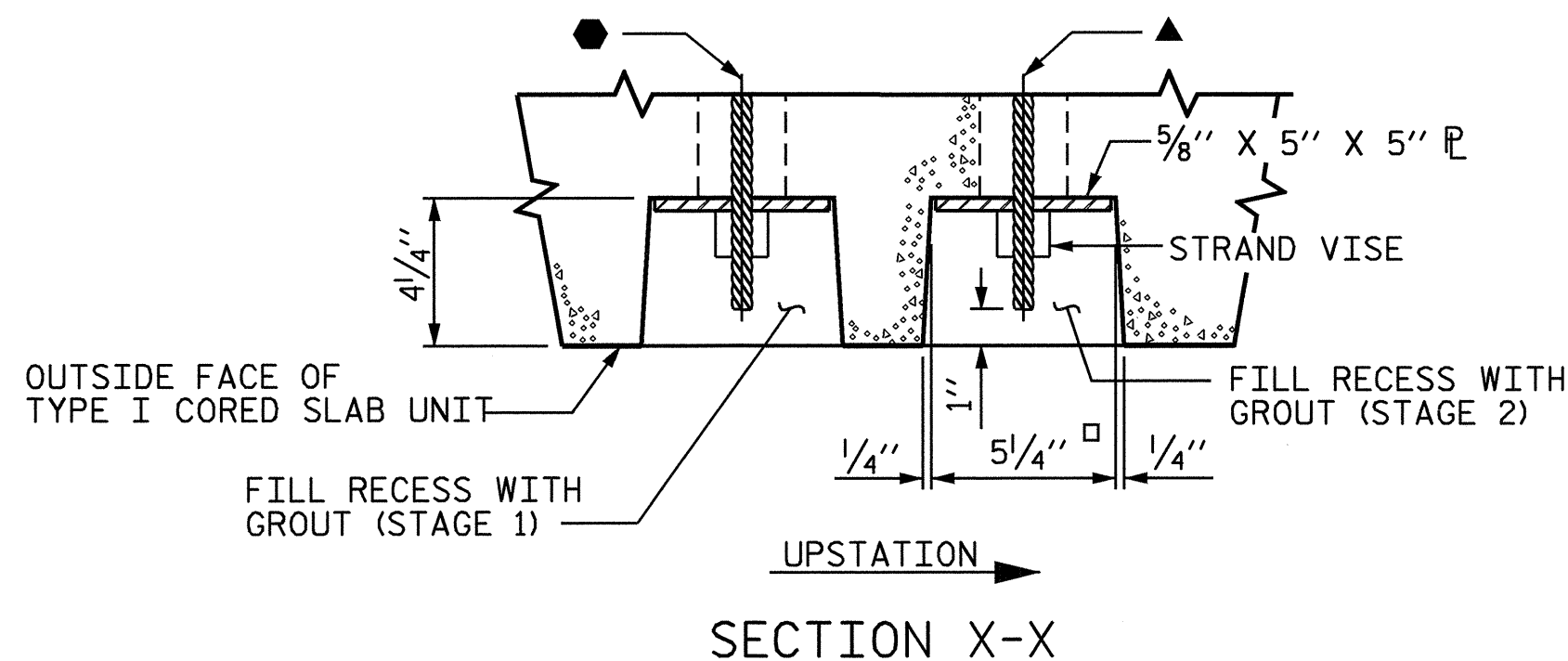


**PART PLAN-EXTERIOR SECTION**

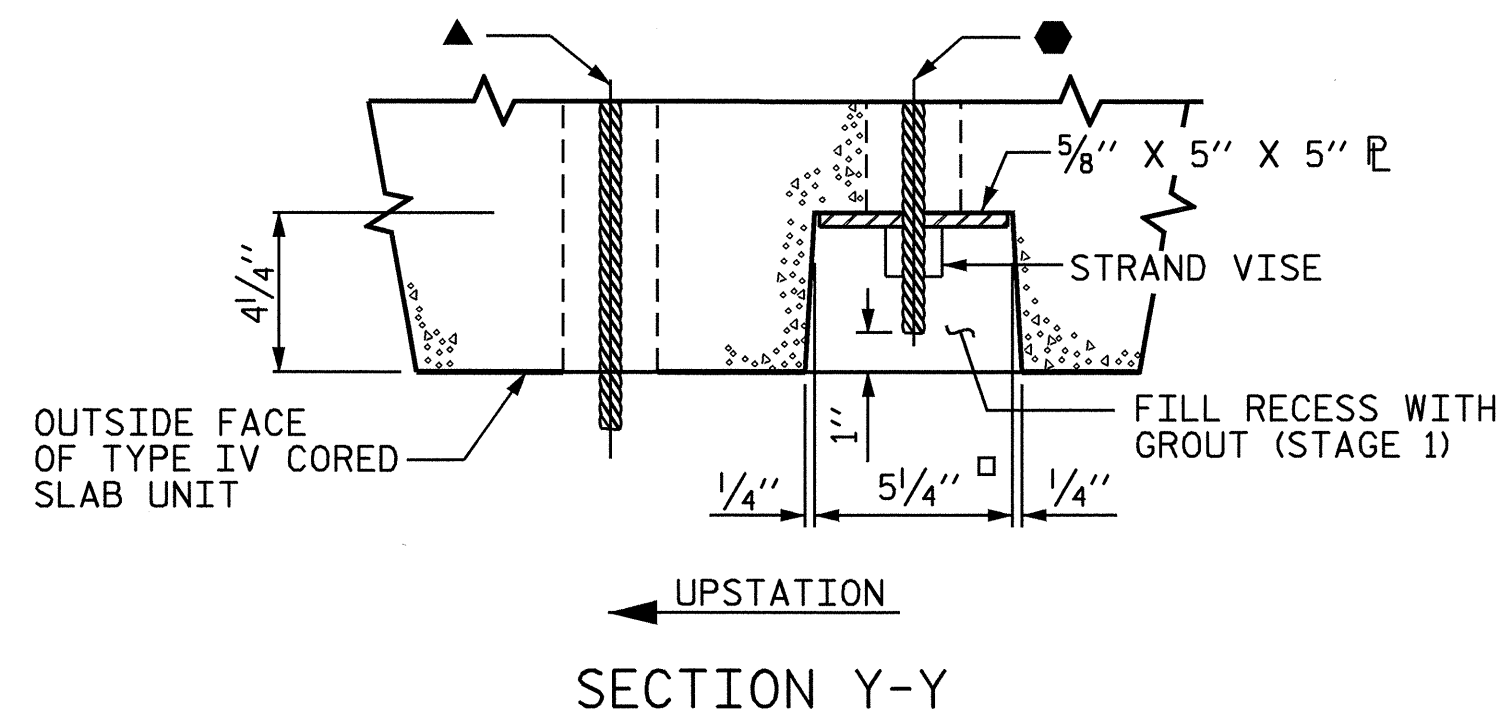
NOTE: EXTERIOR SECTION SHOWN-INTERIOR SECTION  
SIMILAR EXCEPT OMIT S3 BARS.

●  $\frac{1}{2}$ "  $\varnothing$  H.S. TRANSVERSE POST-TENSIONING STRAND SHEATHED WITH A NON-CORROSIVE PIPE (TO BE TENSIONED DURING STAGE 1 CONST.)

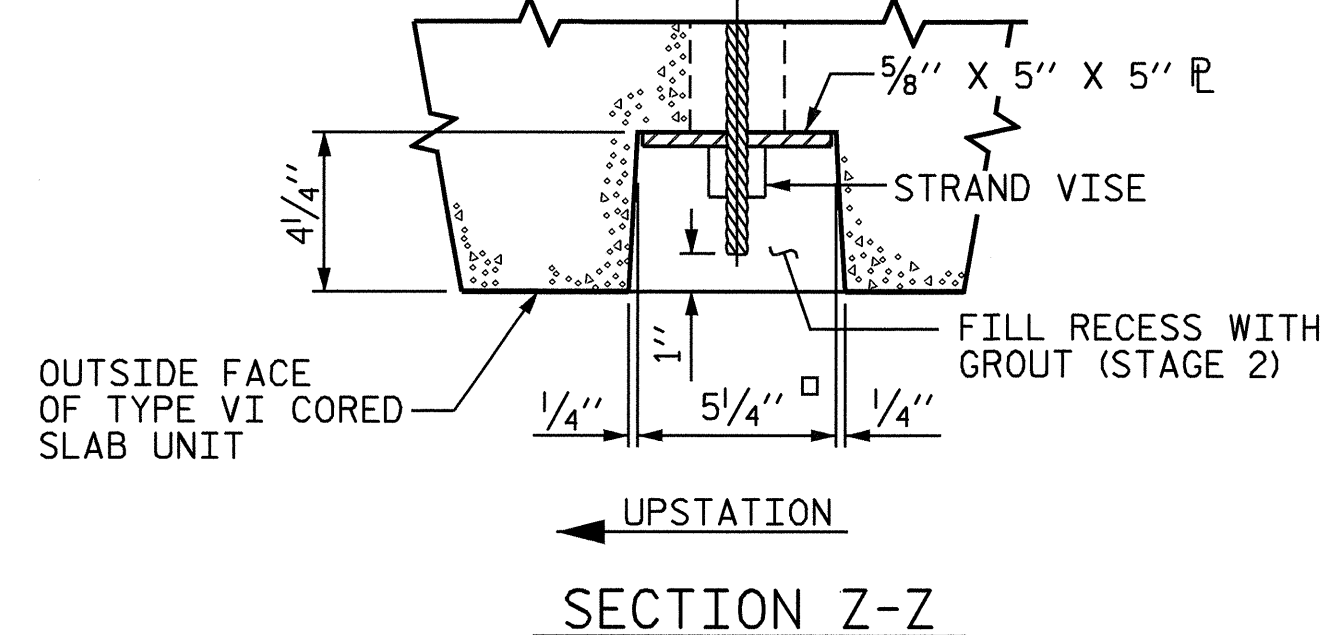
▲  $\frac{1}{2}$ "  $\varnothing$  H.S. TRANSVERSE POST-TENSIONING STRAND SHEATHED WITH A NON-CORROSIVE PIPE (TO BE TENSIONED DURING STAGE 2 CONST.)



**SECTION X-X**

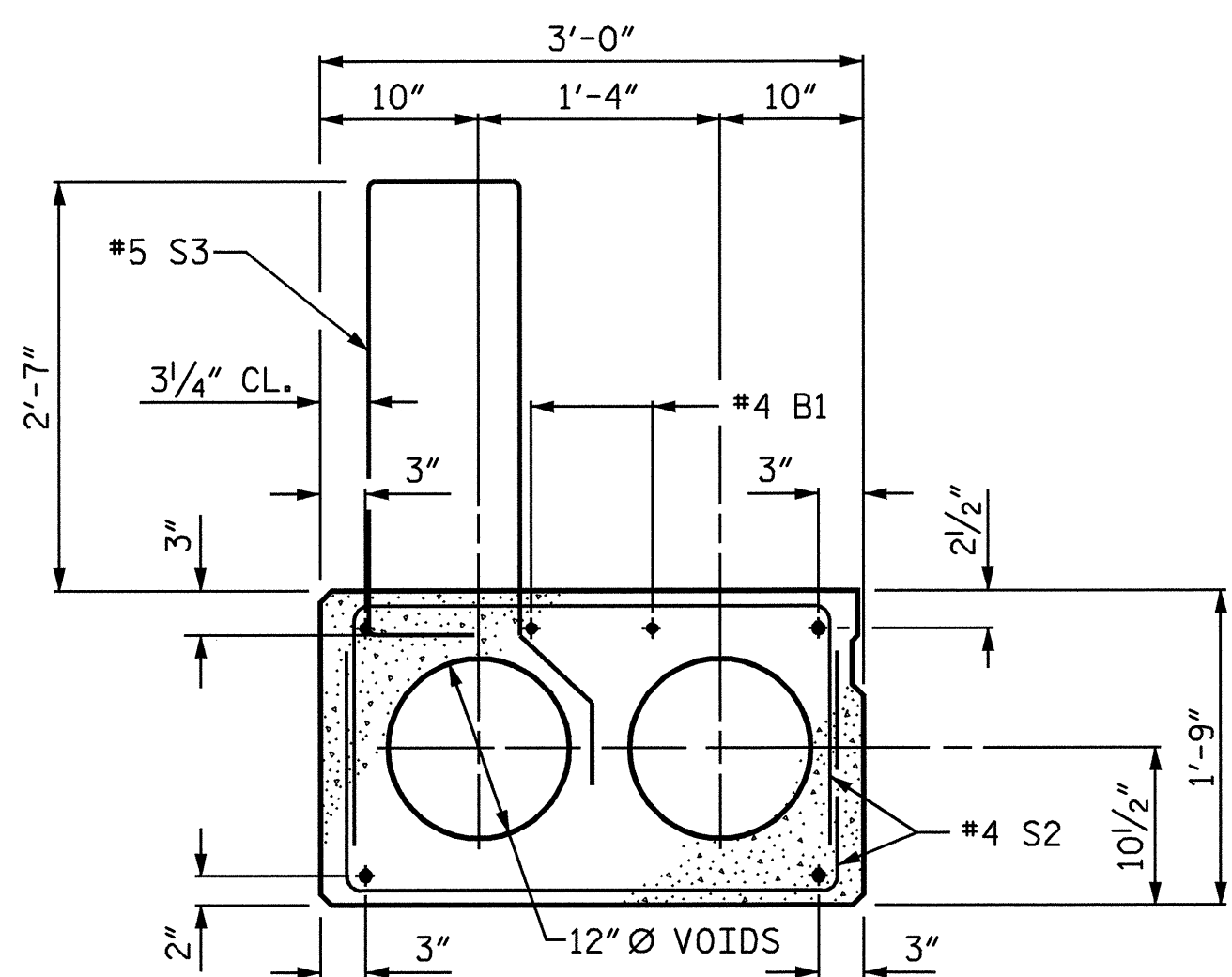


**SECTION Y-Y**



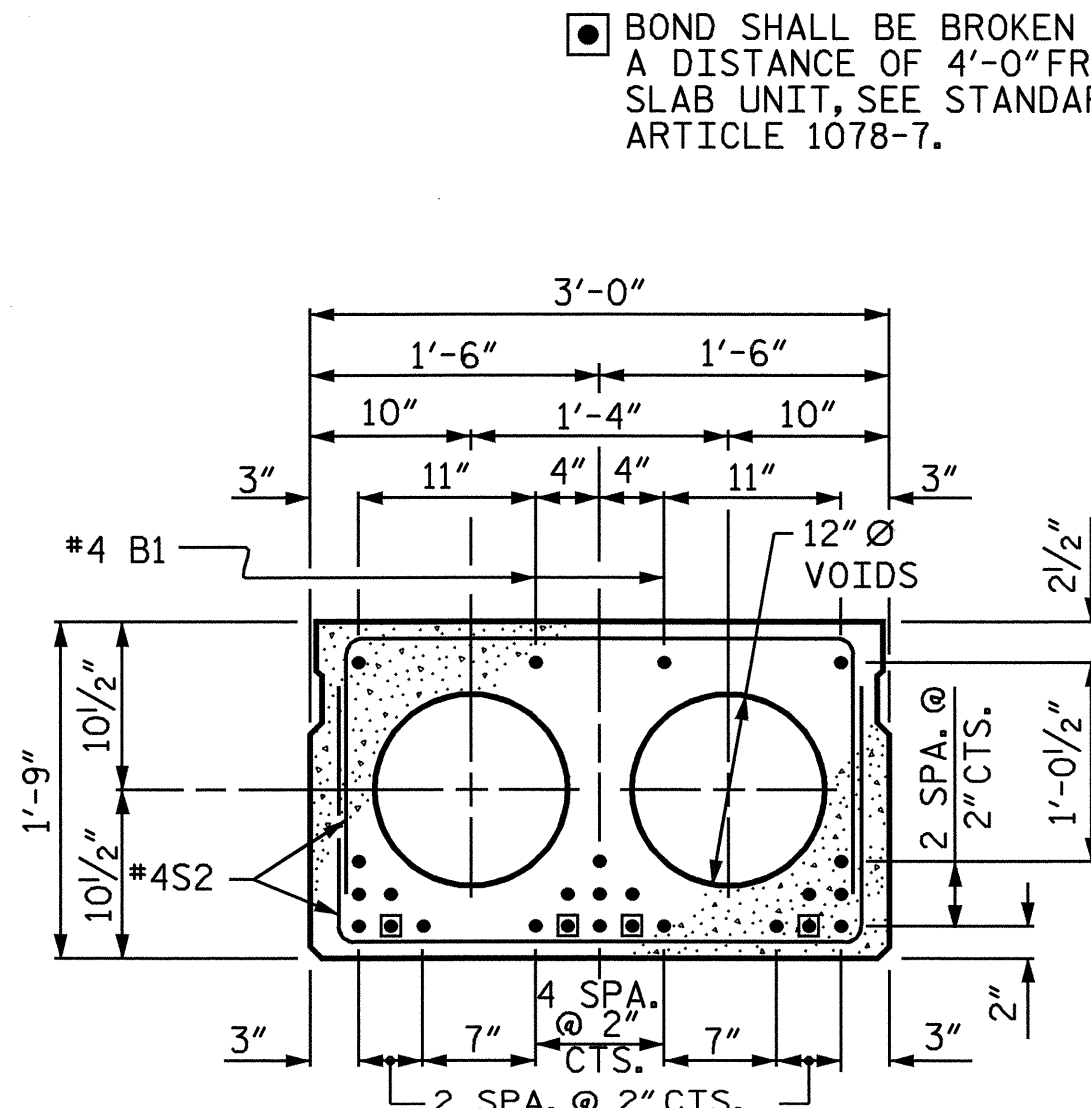
**SECTION Z-Z**

**GROUTED RECESS AT END OF POST-TENSIONED STRAND FOR CORED SLABS**



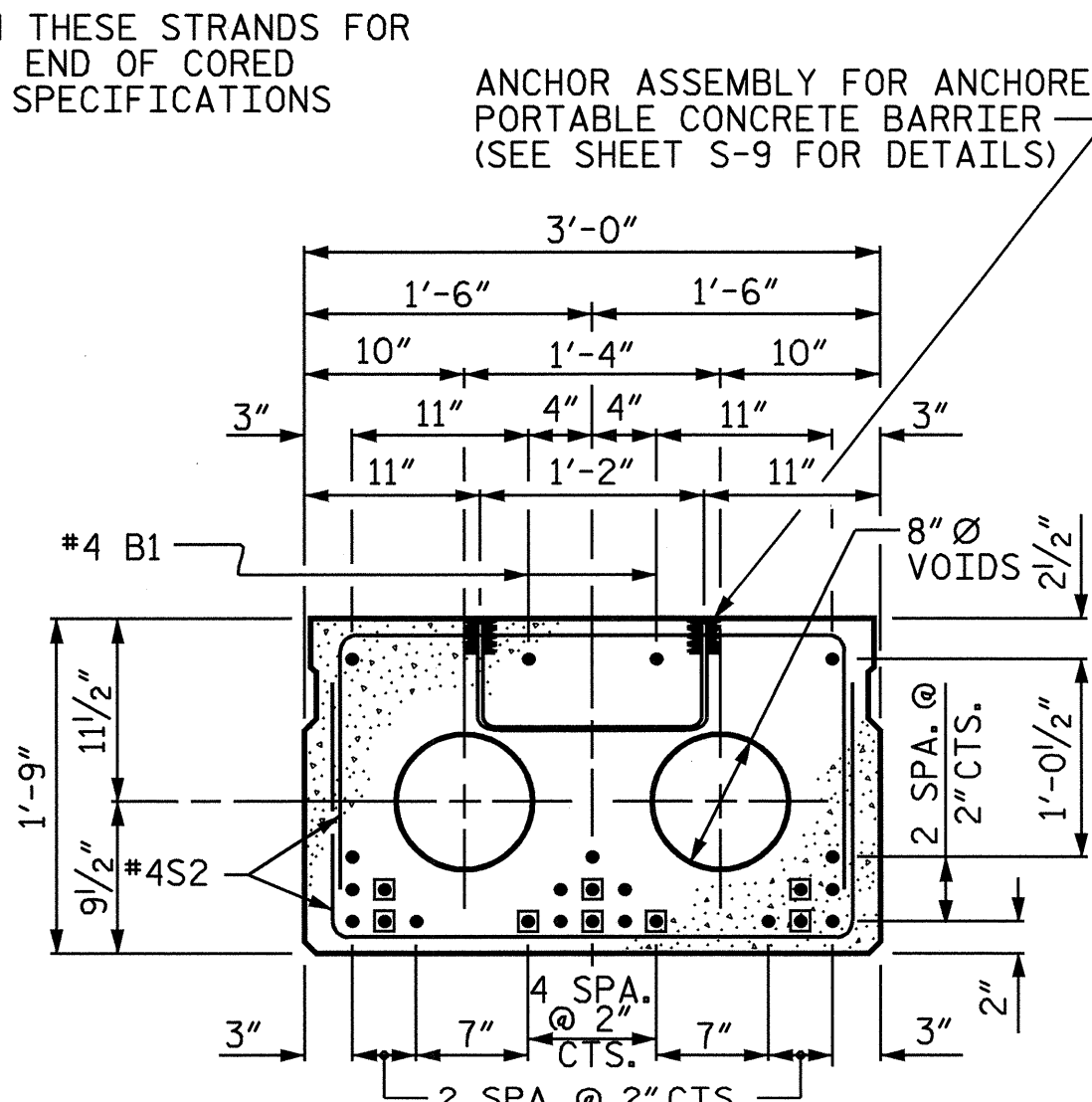
**EXTERIOR SLAB SECTION**

(FOR PRESTRESSED STRAND LAYOUT, SEE INTERIOR SLAB SECTION.)



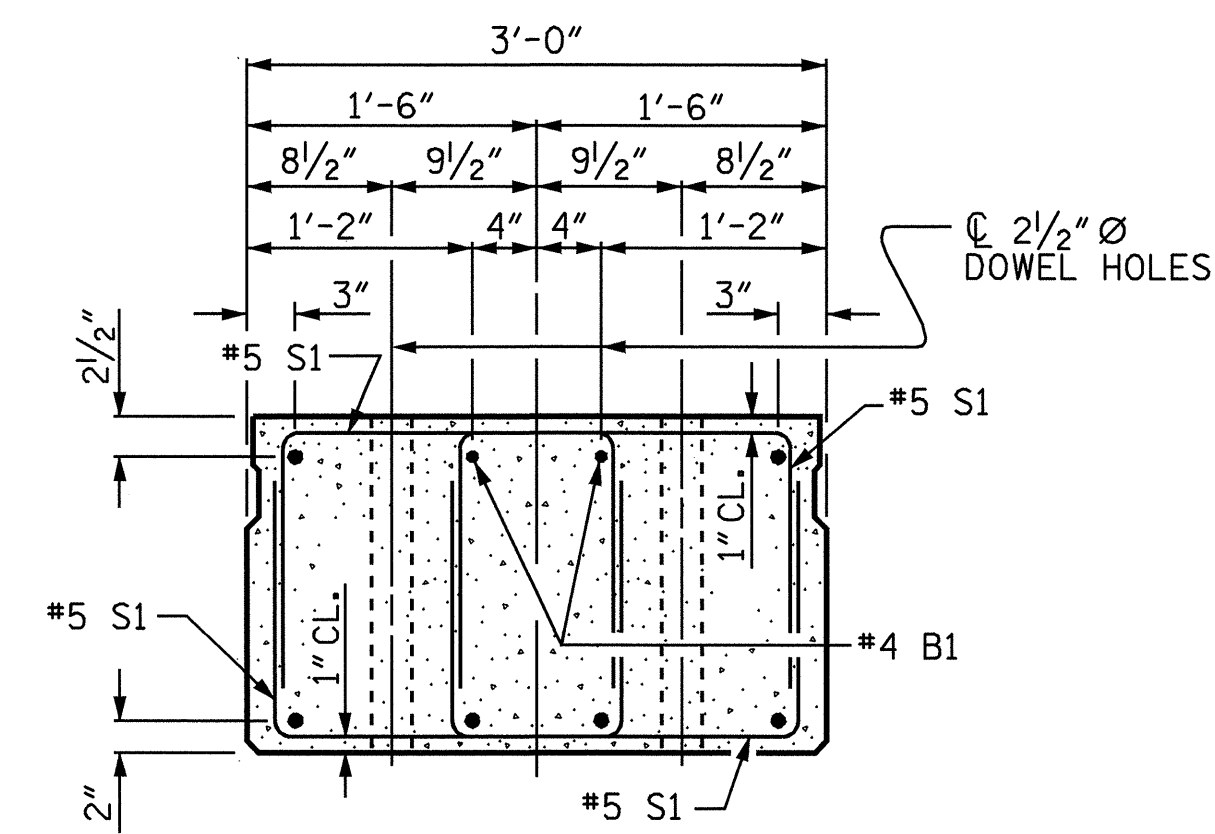
**INTERIOR SLAB SECTION  
1/2"  $\varnothing$  LOW RELAXATION STRAND LAYOUT**

(TYP. EA. CORED SLAB UNIT EXCEPT TYPE III)  
(23 STRANDS)



**INTERIOR SLAB SECTION  
1/2"  $\varnothing$  LOW RELAXATION STRAND LAYOUT**

(FOR TYPE III CORED SLAB UNIT ONLY)  
(23 STRANDS)



**END ELEVATION**

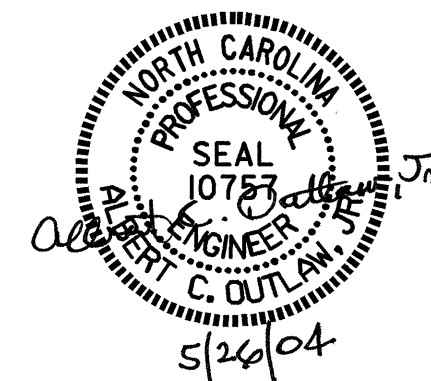
(TYP. EA. CORED SLAB UNIT)  
SHOWING PLACEMENT OF DOUBLE STIRRUPS AND LOCATION OF DOWEL HOLES.  
(STRAND LAYOUT NOT SHOWN.)  
INTERIOR SLAB SECTION SHOWN-EXTERIOR SLAB SECTION SIMILAR EXCEPT SHEAR KEY LOCATION.

■ BOND SHALL BE BROKEN ON THESE STRANDS FOR A DISTANCE OF 4'-0" FROM END OF CORED SLAB UNIT, SEE STANDARD SPECIFICATIONS ARTICLE 1078-7.

ANCHOR ASSEMBLY FOR ANCHORED PORTABLE CONCRETE BARRIER (SEE SHEET S-9 FOR DETAILS)

DRAWN BY: P.C. BREWER DATE: 1/14/04  
CHECKED BY: A.C. OUTLAW DATE: 1/20/04

26-MAY-2004 07:01  
W:\squad\B3348\str1\pbrewer\Microstation\B3348.sd\_CS\_01.dgn  
pbrewer



PROJECT NO. B-3348  
HYDE COUNTY  
STATION: 18+34.00 -L-

SHEET 2 OF 2

STATE OF NORTH CAROLINA  
DEPARTMENT OF TRANSPORTATION  
RALEIGH

**SUPERSTRUCTURE  
TYPICAL SECTION**

REVISIONS						SHEET NO.
NO.	BY:	DATE:	NO.	BY:	DATE:	S-6
1			3			TOTAL SHEETS 76
2			4			