

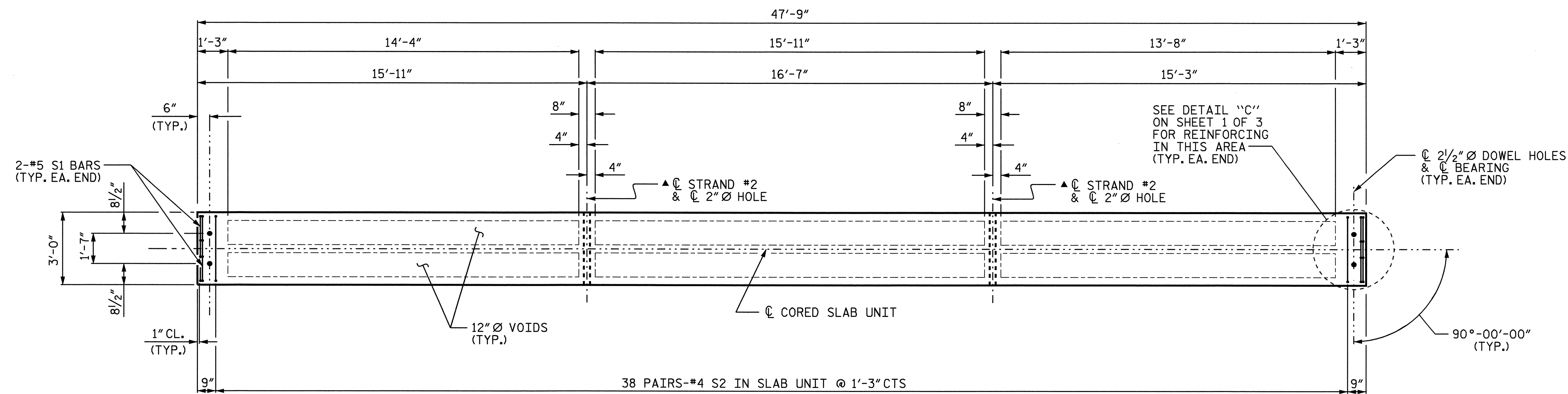
NOTES:

FOR GROUTED RECESS SEE "SUPERSTRUCTURE TYPICAL SECTION" SHEET 2 OF 2.

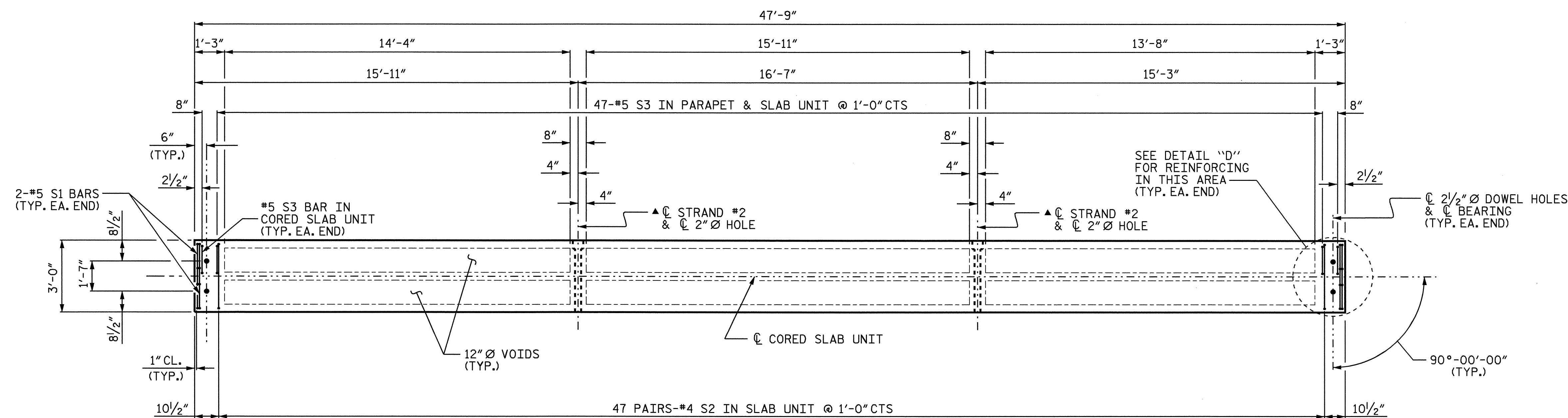
▲ STRAND #2 GOES THRU ALL 13 CORED SLAB UNITS (TO BE TENSIONED DURING STAGE 2 CONSTRUCTION)

▲ STRAND #2 IS 1/2" Ø H.S. TRANSVERSE POST-TENSIONING STRAND.

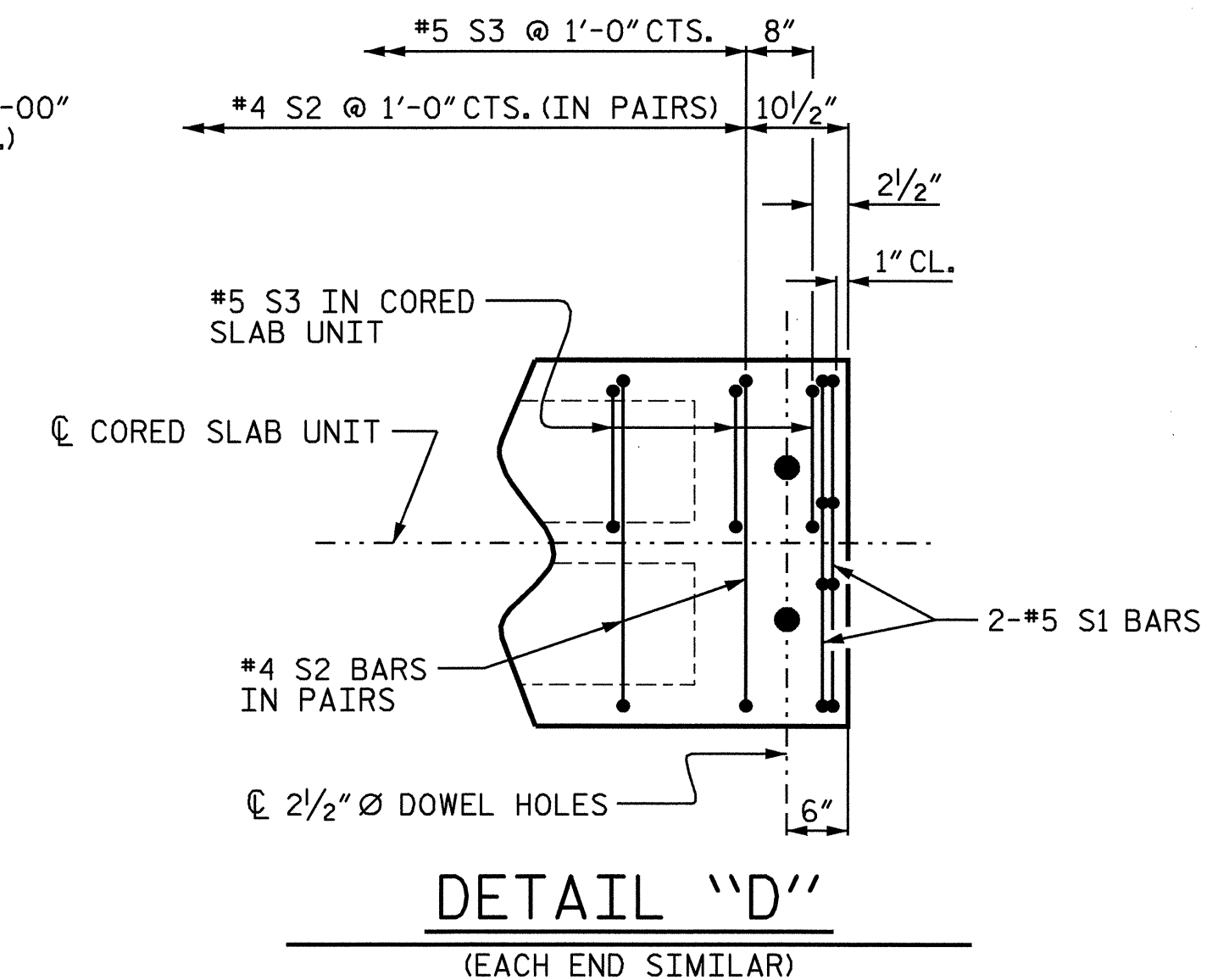
THE #4 S2 AND #5 S3 BARS MAY BE SHIFTED SLIGHTLY IN ORDER TO MAINTAIN A 2" MIN. CLEARANCE TO THE 2" Ø HOLES.



PLAN OF TYPE V CORED SLAB UNIT (STAGE 2)



PLAN OF TYPE VI CORED SLAB UNIT (STAGE 2)

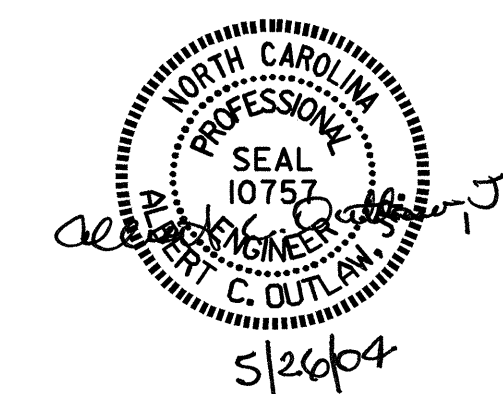


DETAIL "D"
(EACH END SIMILAR)

PROJECT NO. B-3348
HYDE COUNTY
 STATION: 18+34.00 -L-

SHEET 3 OF 3

STATE OF NORTH CAROLINA
 DEPARTMENT OF TRANSPORTATION
 RALEIGH
 3'-0" X 1'-9"
 PRESTRESSED CONCRETE
 CORED SLAB UNIT
 DETAILS



DRAWN BY : P.C. BREWER DATE : 1/14/04
 CHECKED BY : A.C. OUTLAW DATE : 1/27/04

26-MAY-2004 07:00
 W:\squad\B3348\str1\pbrewer\Microstation\B3348.sd_CS-01.dgn
 pbrewer

REVISIONS						SHEET NO.
NO.	BY:	DATE:	NO.	BY:	DATE:	S-10
1			3			TOTAL SHEETS
2			4			76

STR. *1