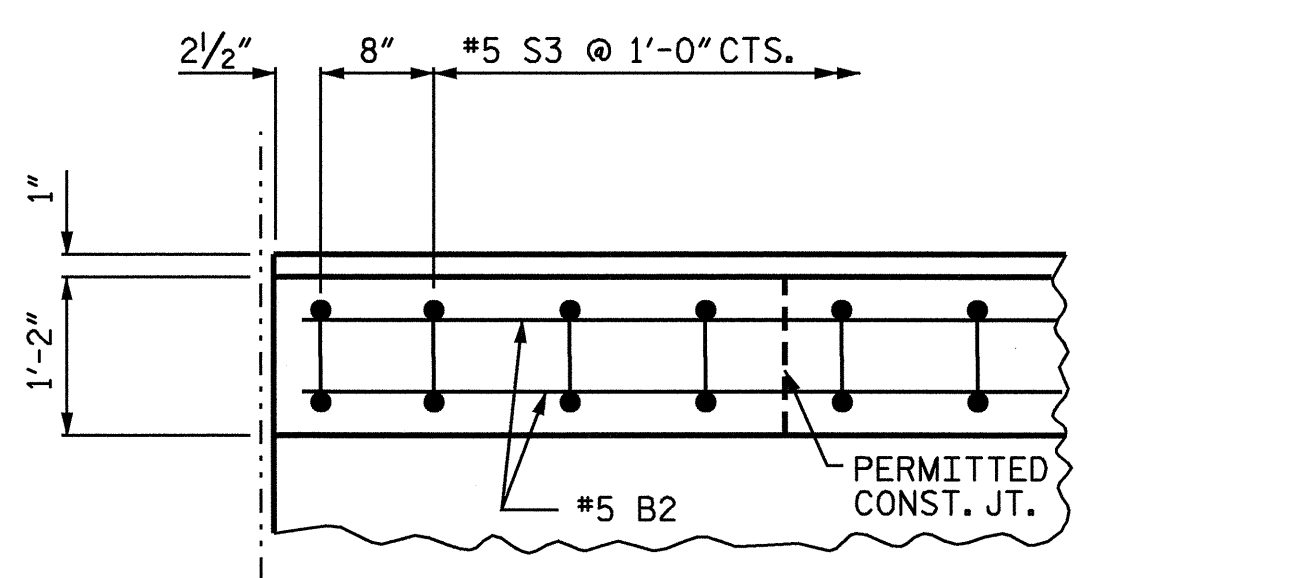
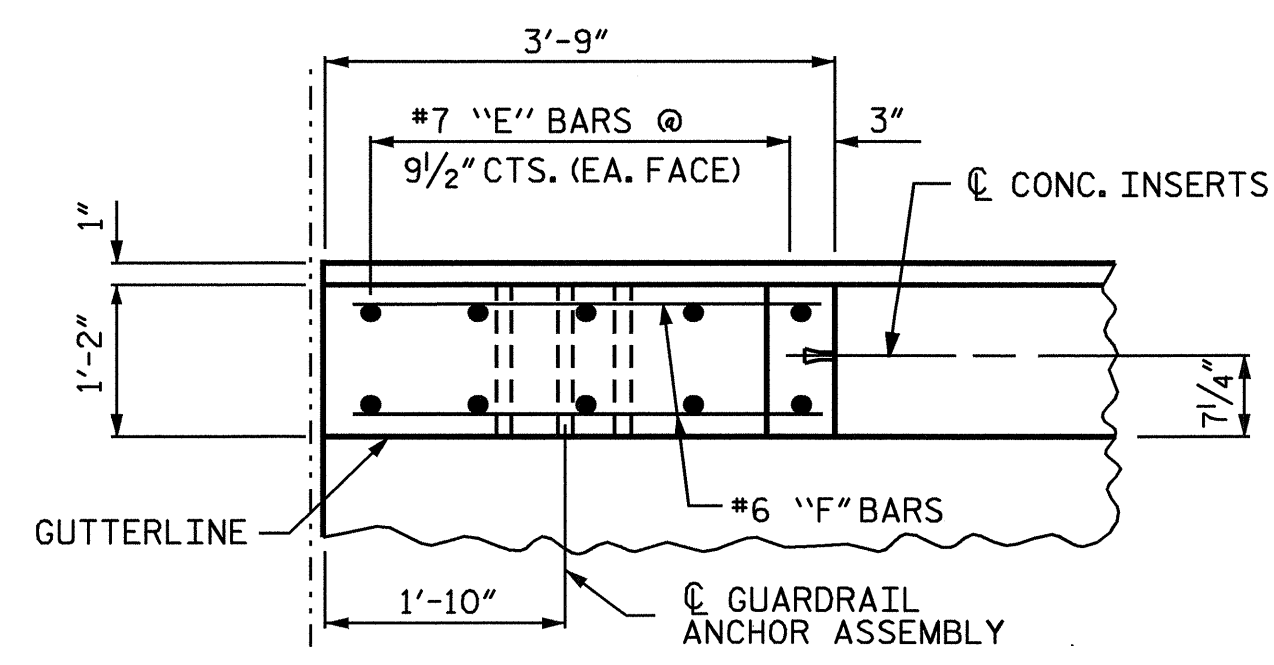


PLAN OF PARAPET

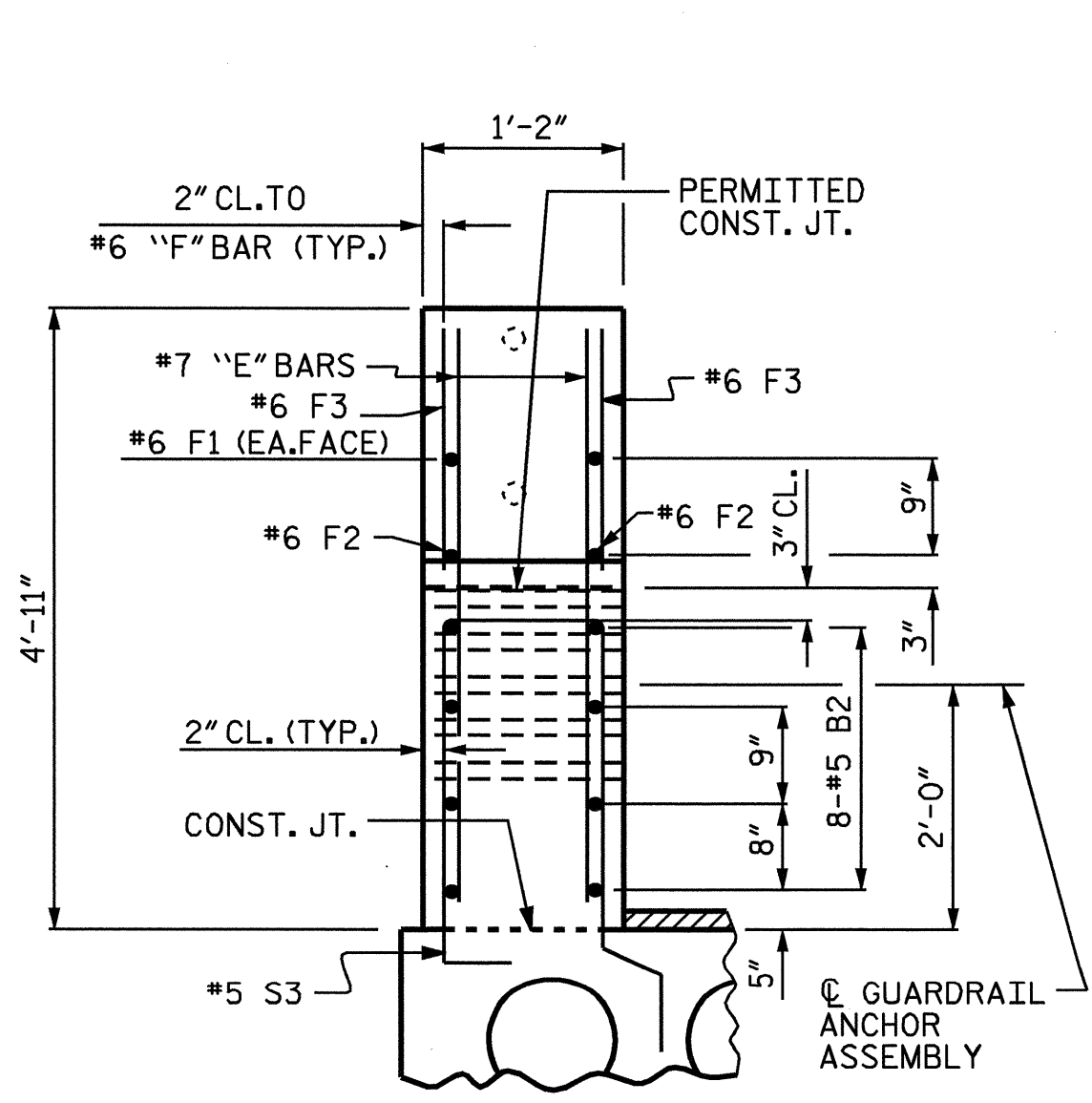
FOR #5 S3 BARS IN SLAB AND PARAPET, SEE "3'-0\"/>



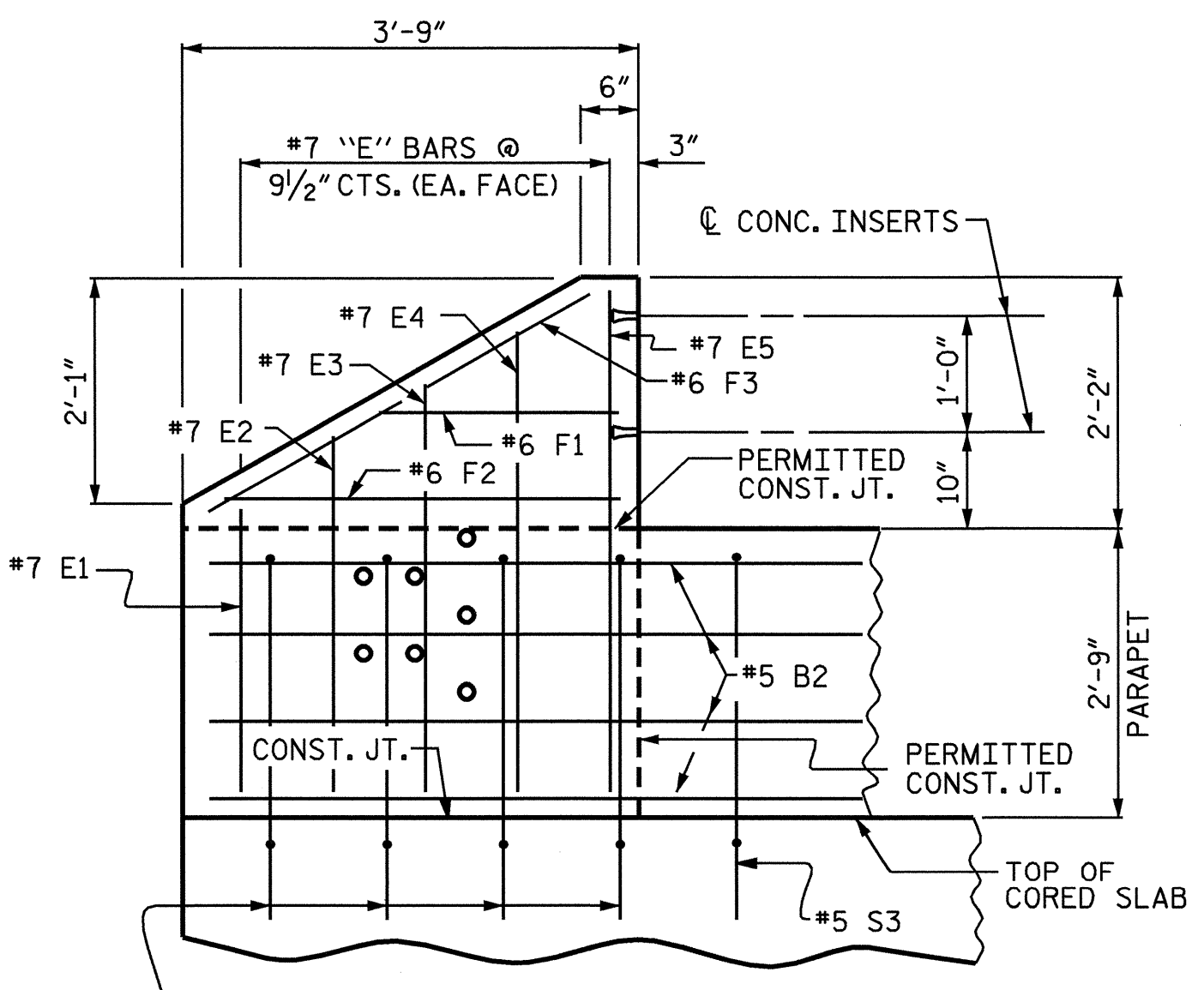
PLAN OF PARAPET



PLAN OF END POST



END VIEW



ELEVATION

PARAPET AND END POST FOR TWO BAR RAIL

NOTE:
FOR CONCRETE INSERT DETAILS, SEE "RAIL POST
SPACING AND END OF RAIL DETAILS" SHEET.

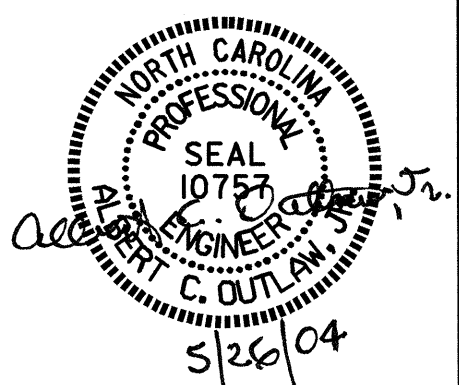
BILL OF MATERIAL					
PARAPET AND END POSTS					
BAR	NO.	SIZE	TYPE	LENGTH	WEIGHT
* B2	16	#5	STR	47'-4"	790
* E1	8	#7	STR	2'-8"	44
* E2	8	#7	STR	3'-2"	52
* E3	8	#7	STR	3'-8"	60
* E4	8	#7	STR	4'-2"	68
* E5	8	#7	STR	4'-7"	75
* F1	8	#6	STR	1'-10"	22
* F2	8	#6	STR	3'-0"	36
* F3	8	#6	STR	3'-6"	42
* EPOXY COATED REINF. STEEL = 1189 LBS.					
CLASS AA CONCRETE					12.2 C.Y.
CONCRETE PARAPET					95.75 L.F.
* THESE BARS ARE EPOXY COATED					

NOTE:
#5 S3 BARS ARE INCLUDED IN THE
BILL OF MATERIAL FOR CORED SLAB
SECTION.

PROJECT NO. B-3348
HYDE COUNTY
STATION: 18+34.00 -L-

STATE OF NORTH CAROLINA
DEPARTMENT OF TRANSPORTATION
RALEIGH

**CONCRETE PARAPET
DETAILS**



DRAWN BY : P.C. BREWER DATE : 1/14/04
CHECKED BY : A.C. OUTLAW DATE : 1/27/04

REVISIONS						SHEET NO.
NO.	BY:	DATE:	NO.	BY:	DATE:	S-11
1			3			TOTAL SHEETS 76
2			4			