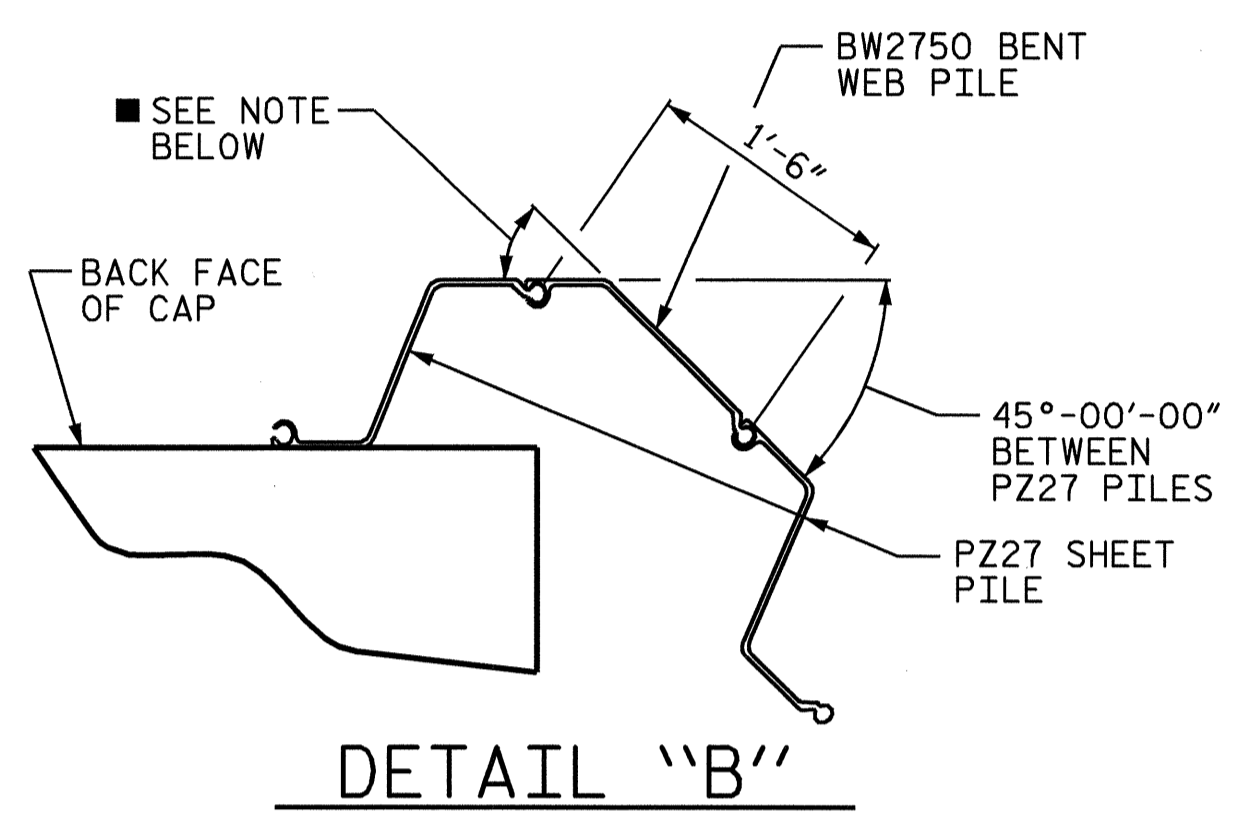
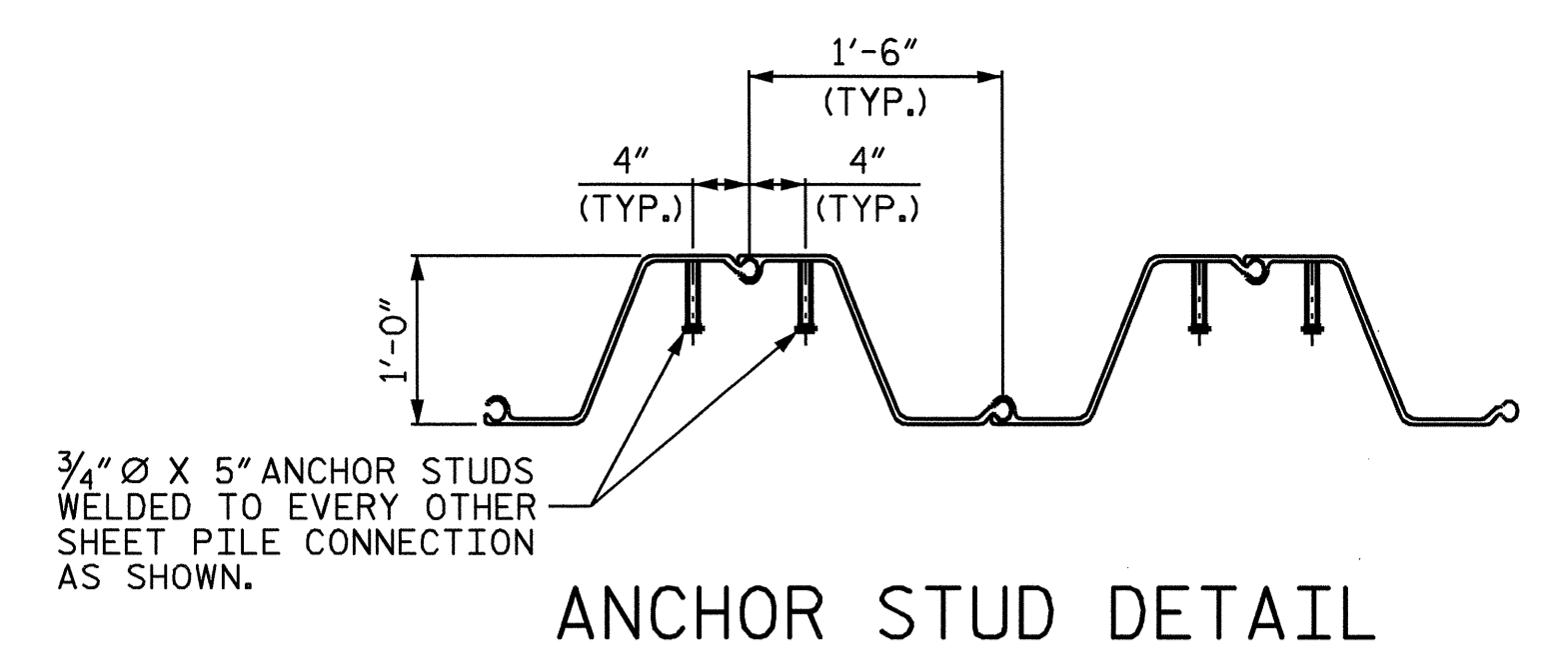
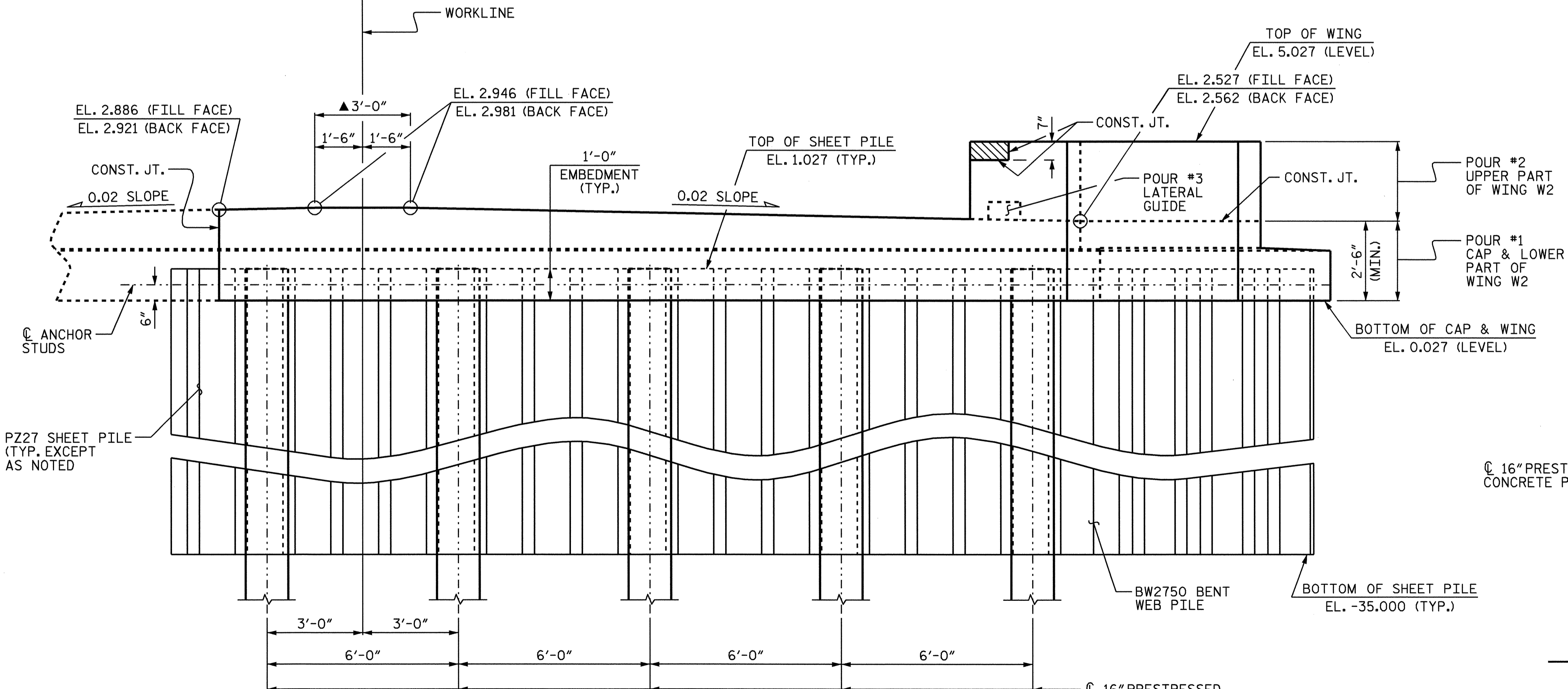


PLAN (STAGE 1)

(FOR CLARITY, BEARING PADS & DOWELS NOT SHOWN IN PLAN VIEW)

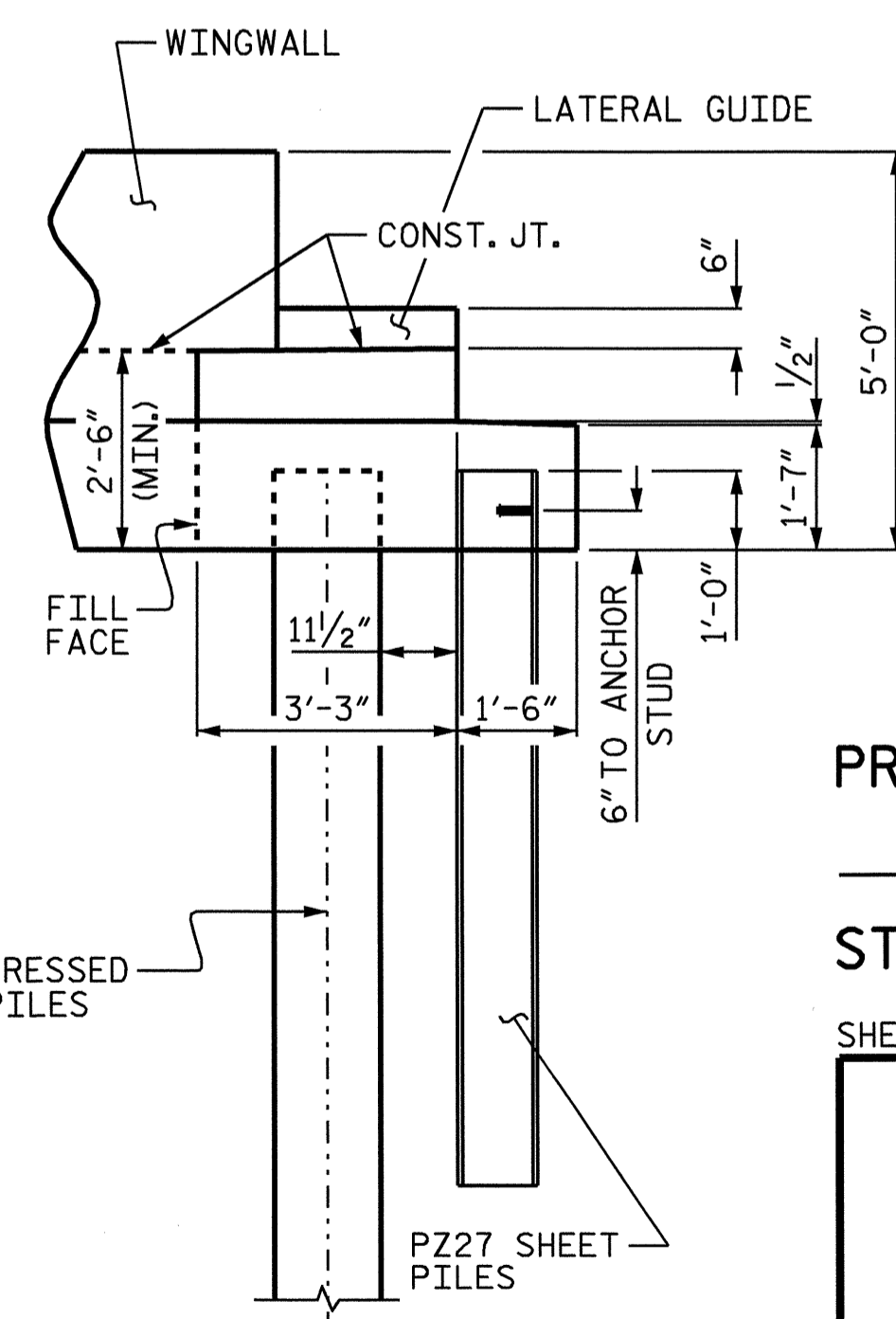


NOTE:
THE BEND IN THE BENT WEB PILE SHALL BE DETERMINED BY THE FABRICATOR.



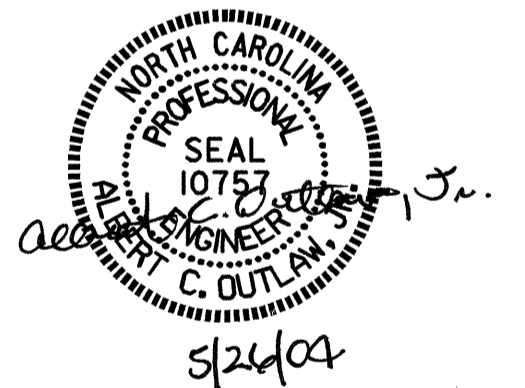
ELEVATION (STAGE 1)

(FOR REINFORCING STEEL IN CAP, SEE SHEET 2 OF 6)



END ELEVATION

(STAGE 1 SHOWN, STAGE 2 SIMILAR)



PROJECT NO. B-3348
HYDE COUNTY
 STATION: 18+34.00 -L-

SHEET 1 OF 6
 STATE OF NORTH CAROLINA
 DEPARTMENT OF TRANSPORTATION
 RALEIGH
 SUBSTRUCTURE
 END BENT No. 1
 STAGE 1

REVISIONS						SHEET NO. S-17
NO.	BY:	DATE:	NO.	BY:	DATE:	
1			3			TOTAL SHEETS 76
2			4			

DRAWN BY: P.C. BREWER DATE: 2/25/04
 CHECKED BY: C.H. SIMPSON DATE: 3/15/04