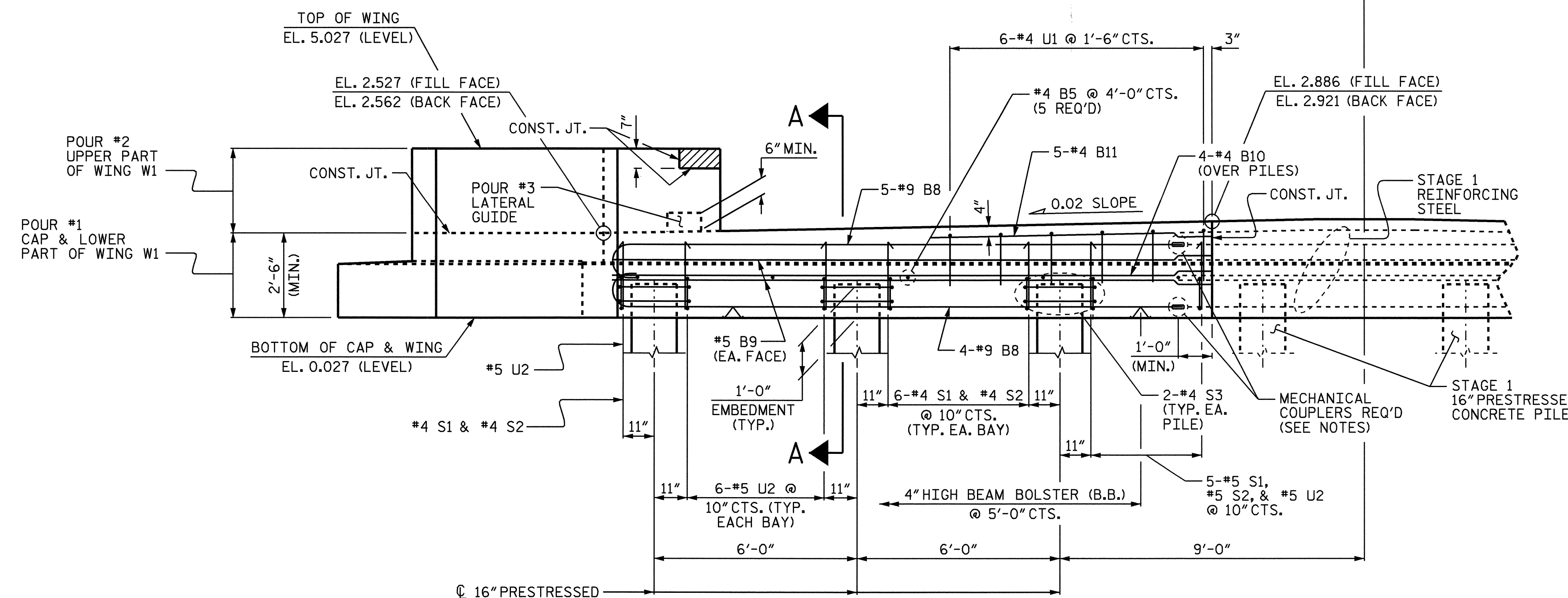
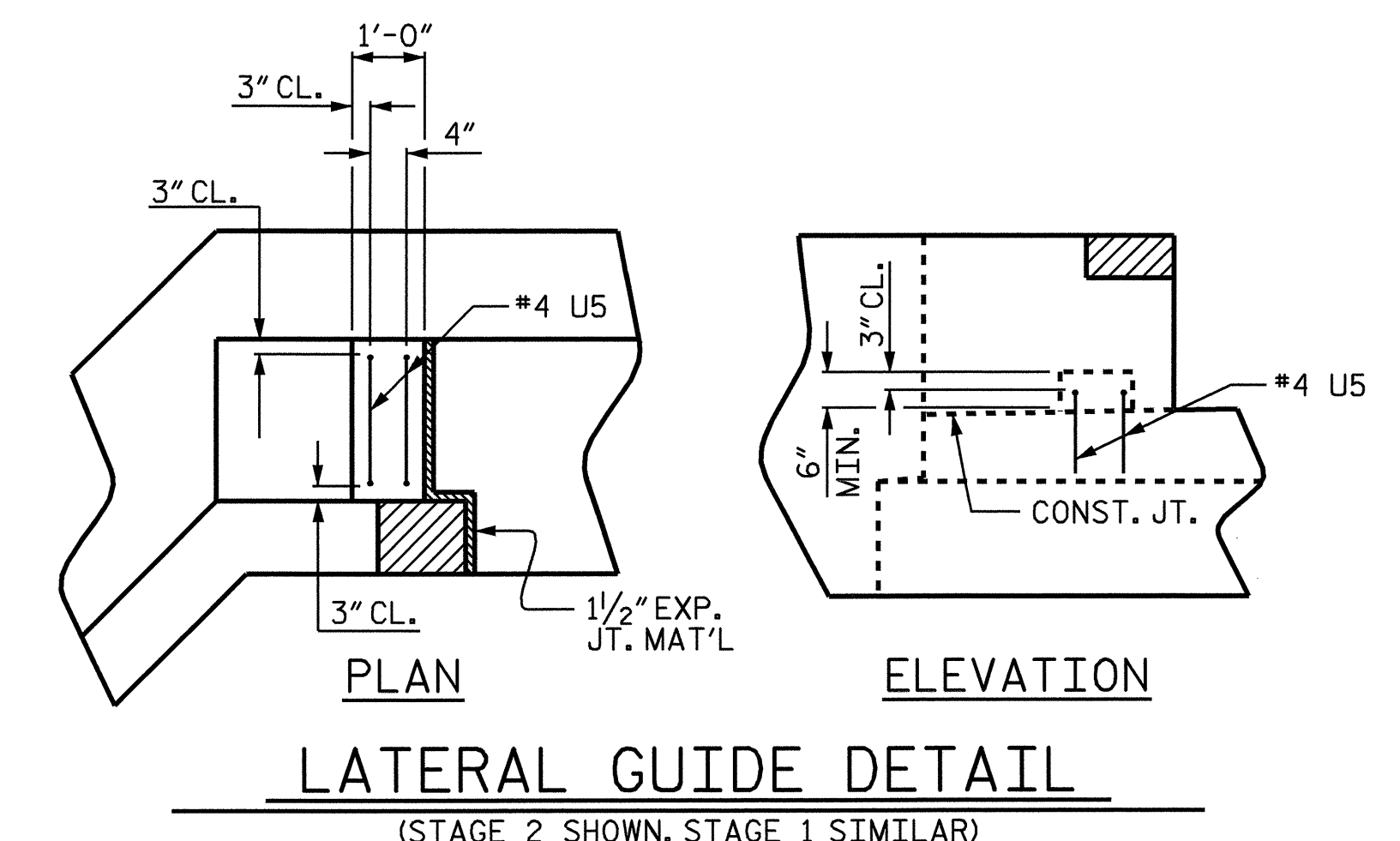


PLAN (STAGE 2)
(FOR CLARITY, SHEET PILES NOT SHOWN)



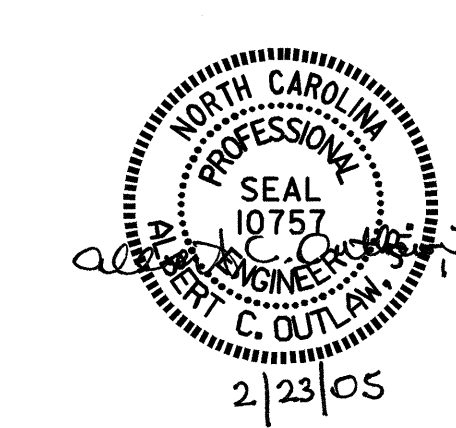
ELEVATION (STAGE 2)
(FOR CLARITY, SHEET PILES NOT SHOWN)



LATERAL GUIDE DETAIL
(STAGE 2 SHOWN, STAGE 1 SIMILAR)

PROJECT NO. B-3348
HYDE COUNTY
 STATION: 18+34.00 -L-

SHEET 4 OF 6
 STATE OF NORTH CAROLINA
 DEPARTMENT OF TRANSPORTATION
 RALEIGH
 SUBSTRUCTURE
 END BENT No. 1
 STAGE 2



REVISIONS						SHEET NO.	
NO.	BY:	DATE:	NO.	BY:	DATE:	S-20	
1			3			TOTAL SHEETS	
2			4			76	

DRAWN BY : P.C. BREWER DATE : 3/1/04
 CHECKED BY : C.H. SIMPSON DATE : 3/15/04