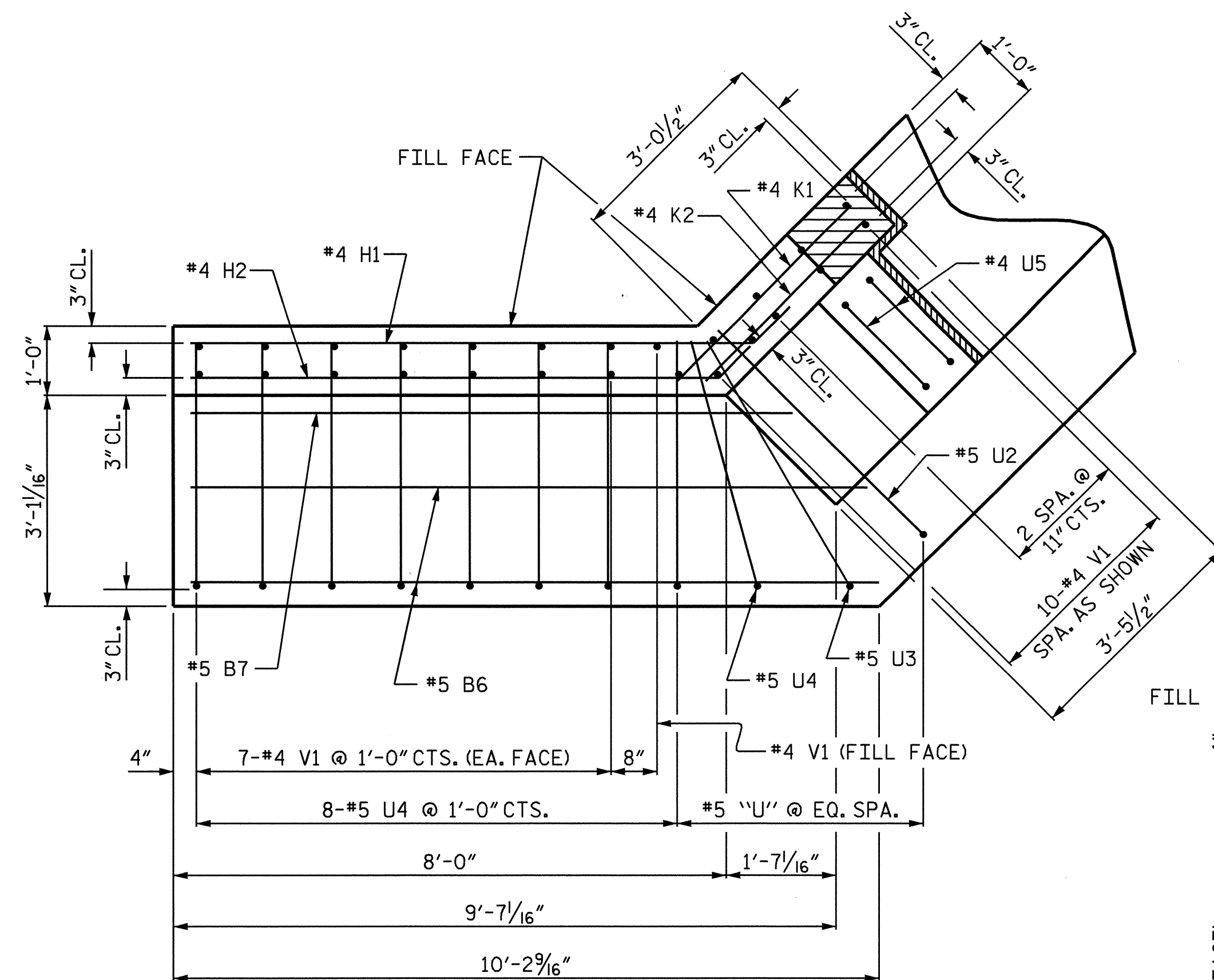
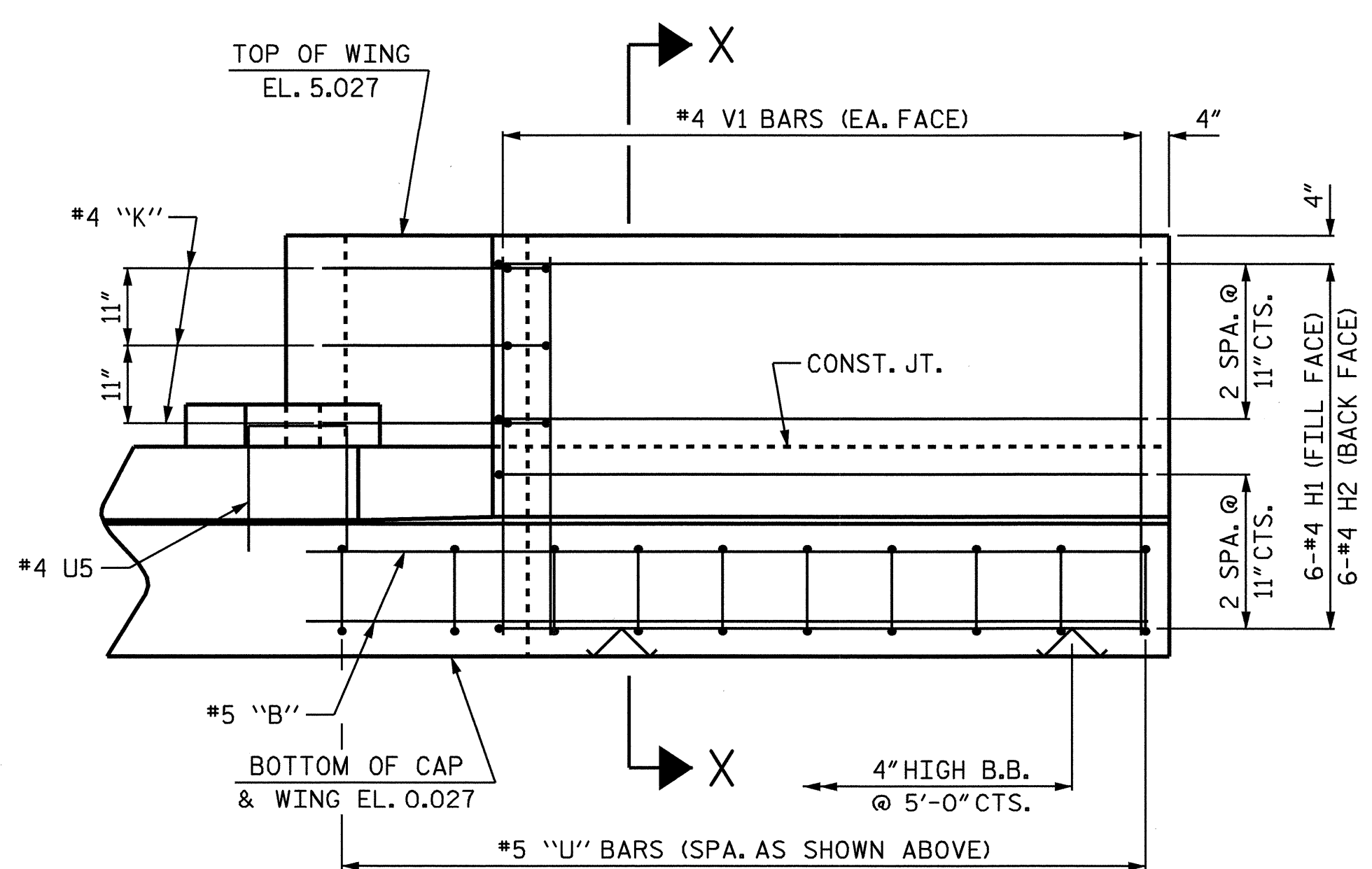


PLAN OF WING (W1)
(STAGE 2)

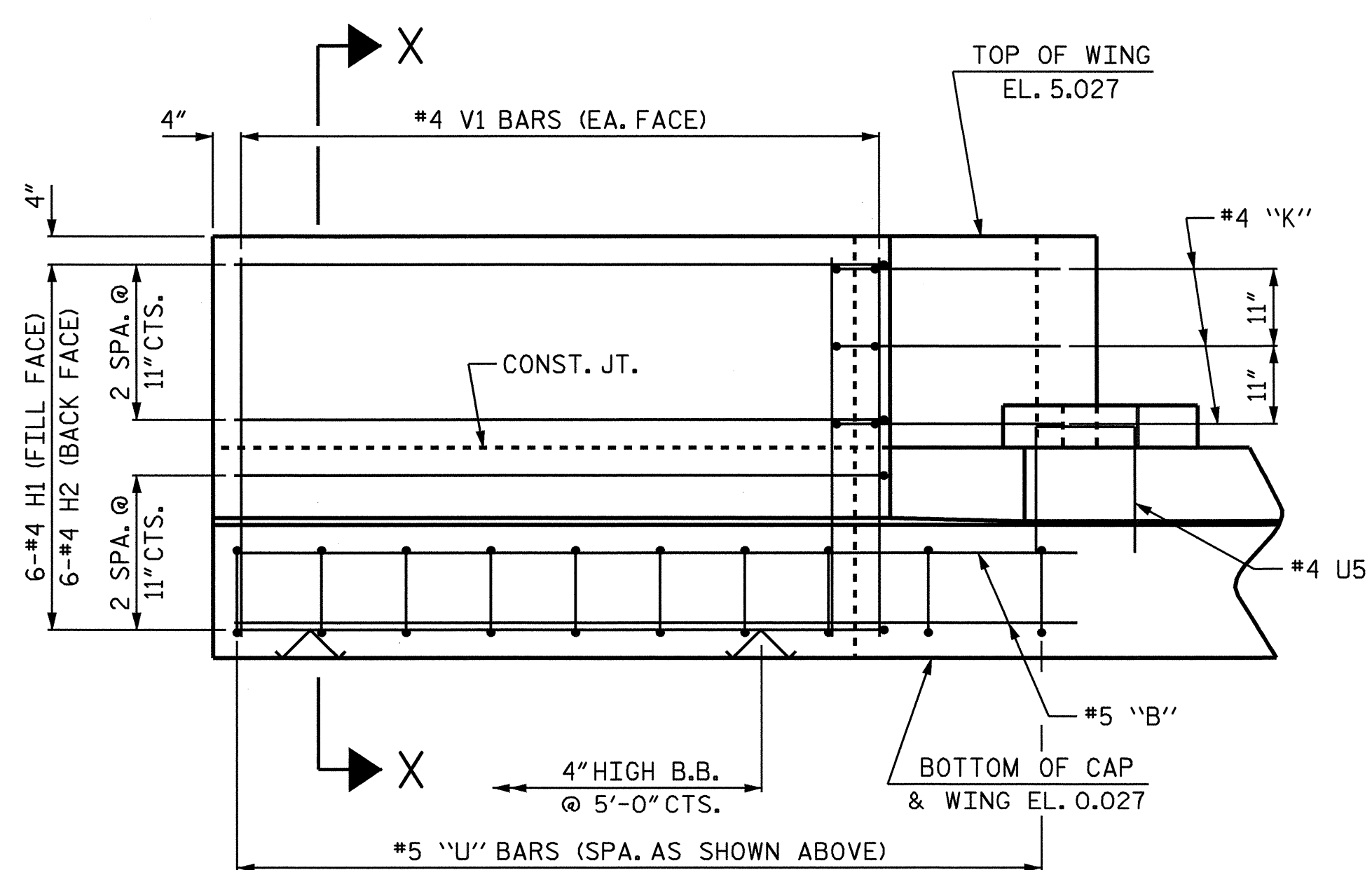


PLAN OF WING (W2)
(STAGE 1)

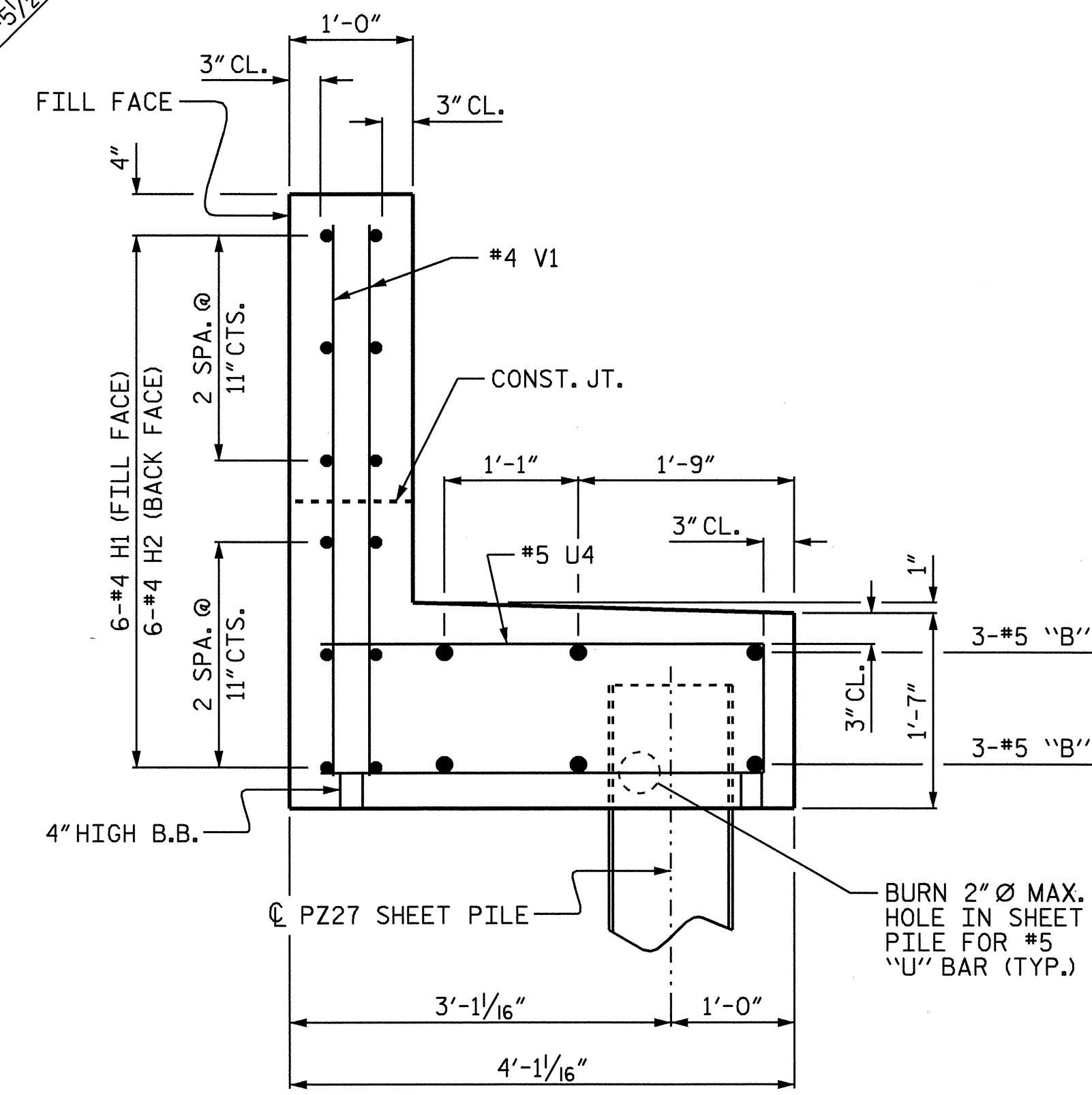
NOTE:
FOR CLARITY, SHEET PILES ARE NOT
SHOWN IN PLAN AND ELEVATION VIEWS.



ELEVATION OF WING (W1)
(STAGE 2)



ELEVATION OF WING (W2)
(STAGE 1)

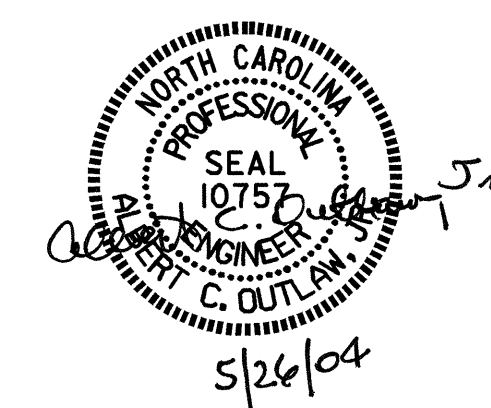


SECTION X-X

PROJECT NO. B-3348
HYDE COUNTY
STATION: 18+34.00 -L-

SHEET 5 OF 6

STATE OF NORTH CAROLINA
DEPARTMENT OF TRANSPORTATION
RALEIGH
SUBSTRUCTURE
END BENT No. 1



DRAWN BY: P.C. BREWER DATE: 3/1/04
CHECKED BY: C.H. SIMPSON DATE: 3/15/04

REVISIONS						SHEET NO.	
NO.	BY:	DATE:	NO.	BY:	DATE:	S-21	
1			3			TOTAL SHEETS	
2			4			76	