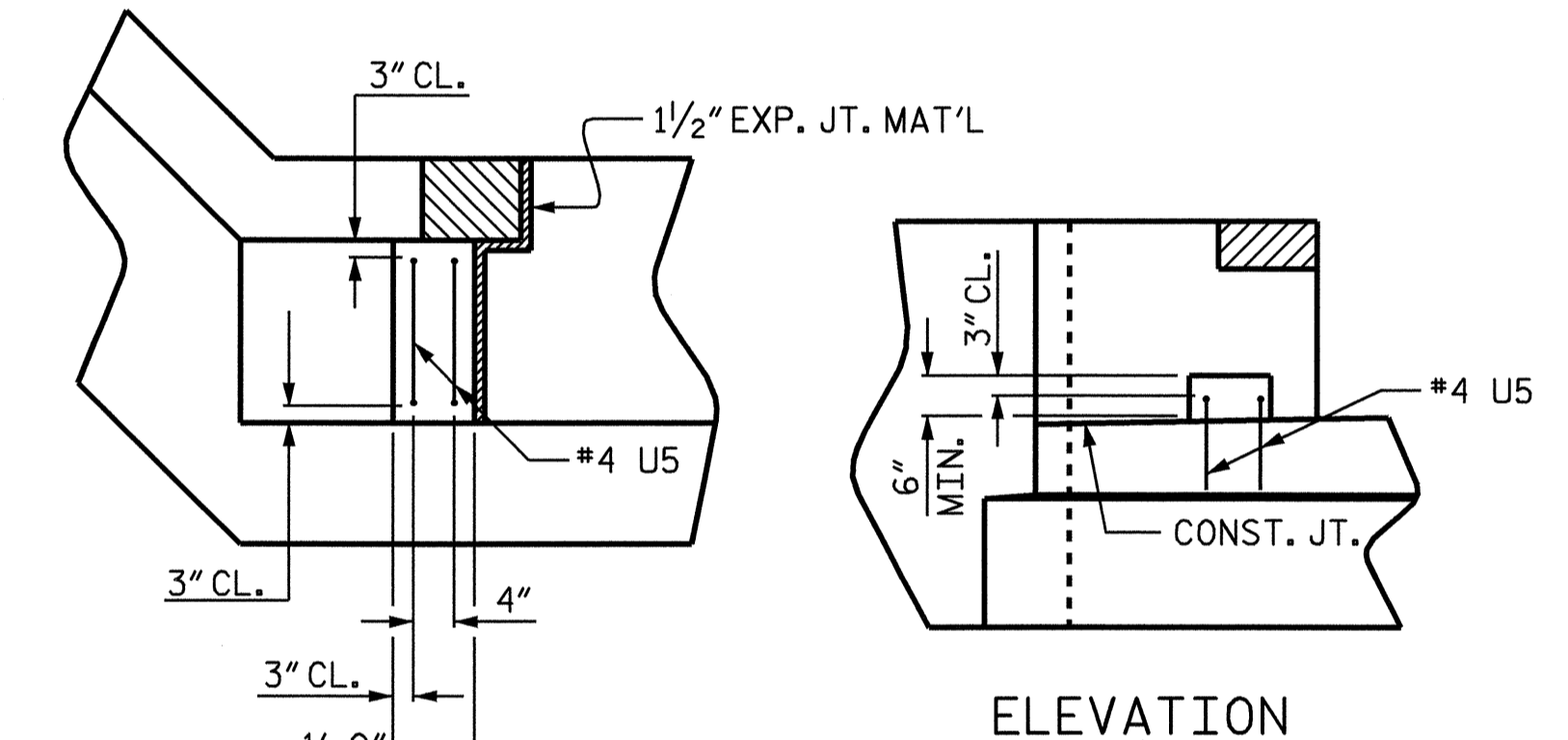


PLAN (STAGE 2)

(FOR CLARITY, SHEET PILES NOT SHOWN)

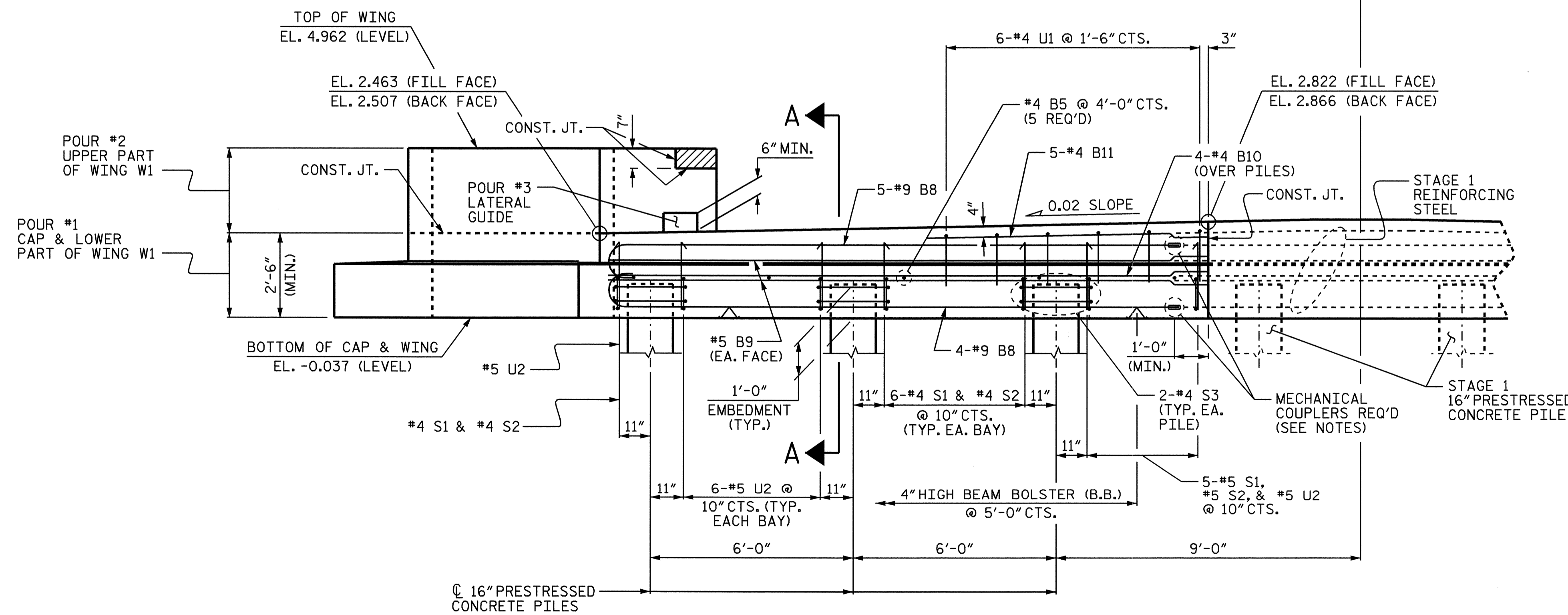


ELEVATION

PLAN

LATERAL GUIDE DETAIL

(STAGE 2 SHOWN, STAGE 1 SIMILAR)



ELEVATION (STAGE 2)

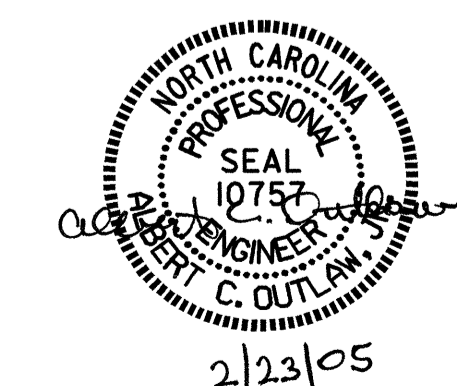
(FOR CLARITY, SHEET PILES NOT SHOWN)

PROJECT NO. B-3348
HYDE COUNTY
 STATION: 18+34.00 -L-

SHEET 4 OF 6

STATE OF NORTH CAROLINA
 DEPARTMENT OF TRANSPORTATION
 RALEIGH

SUBSTRUCTURE
 END BENT No. 2
 STAGE 2



REVISIONS						SHEET NO.	
NO.	BY:	DATE:	NO.	BY:	DATE:	S-26	
1			3			TOTAL SHEETS	
2			4			76	

DRAWN BY : P.C. BREWER DATE : 3/2/04
 CHECKED BY : C.H. SIMPSON DATE : 4/5/04

22-FEB-2005 09:46
 E:\squad\B3348\str1\pbrewer\Microstation\B3348.ed.EB2.01.dgn
 pbrewer