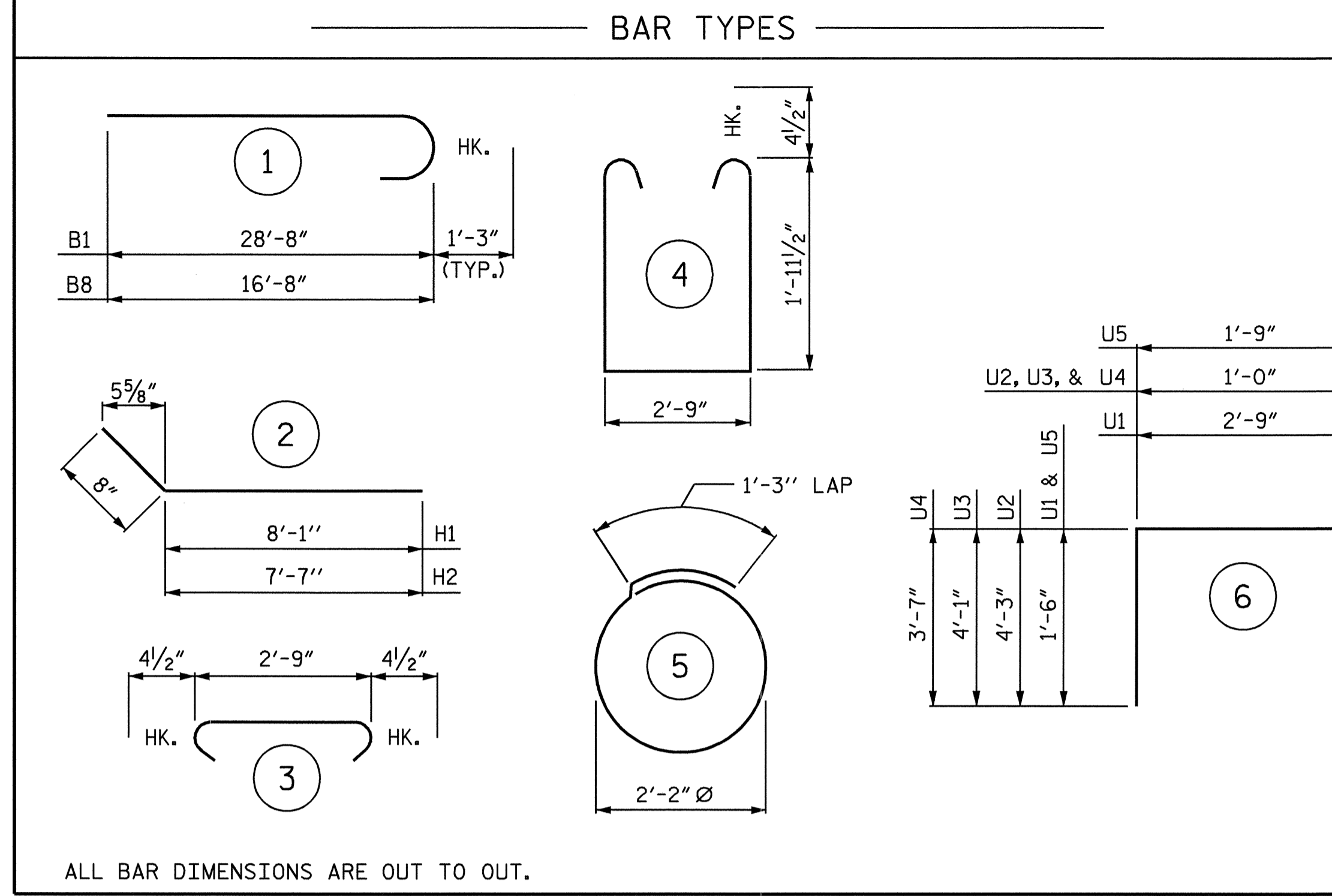


BAGGED STONE AND PIPE SHALL BE PLACED IMMEDIATELY AFTER COMPLETION OF END BENT EXCAVATION. PIPE MAY BE EITHER CONCRETE, CORRUGATED STEEL, CORRUGATED ALUMINUM ALLOY, OR CORRUGATED PLASTIC. PERFORATED PIPE WILL NOT BE ALLOWED.

BAGGED STONE SHALL REMAIN IN PLACE UNTIL THE ENGINEER DIRECTS THAT IT BE REMOVED. THE CONTRACTOR SHALL REMOVE AND DISPOSE OF SILT ACCUMULATIONS AT BAGGED STONE WHEN SO DIRECTED BY THE ENGINEER. BAGS SHALL BE REMOVED AND REPLACED WHENEVER THE ENGINEER DETERMINES THAT THEY HAVE DETERIORATED AND LOST THEIR EFFECTIVENESS.

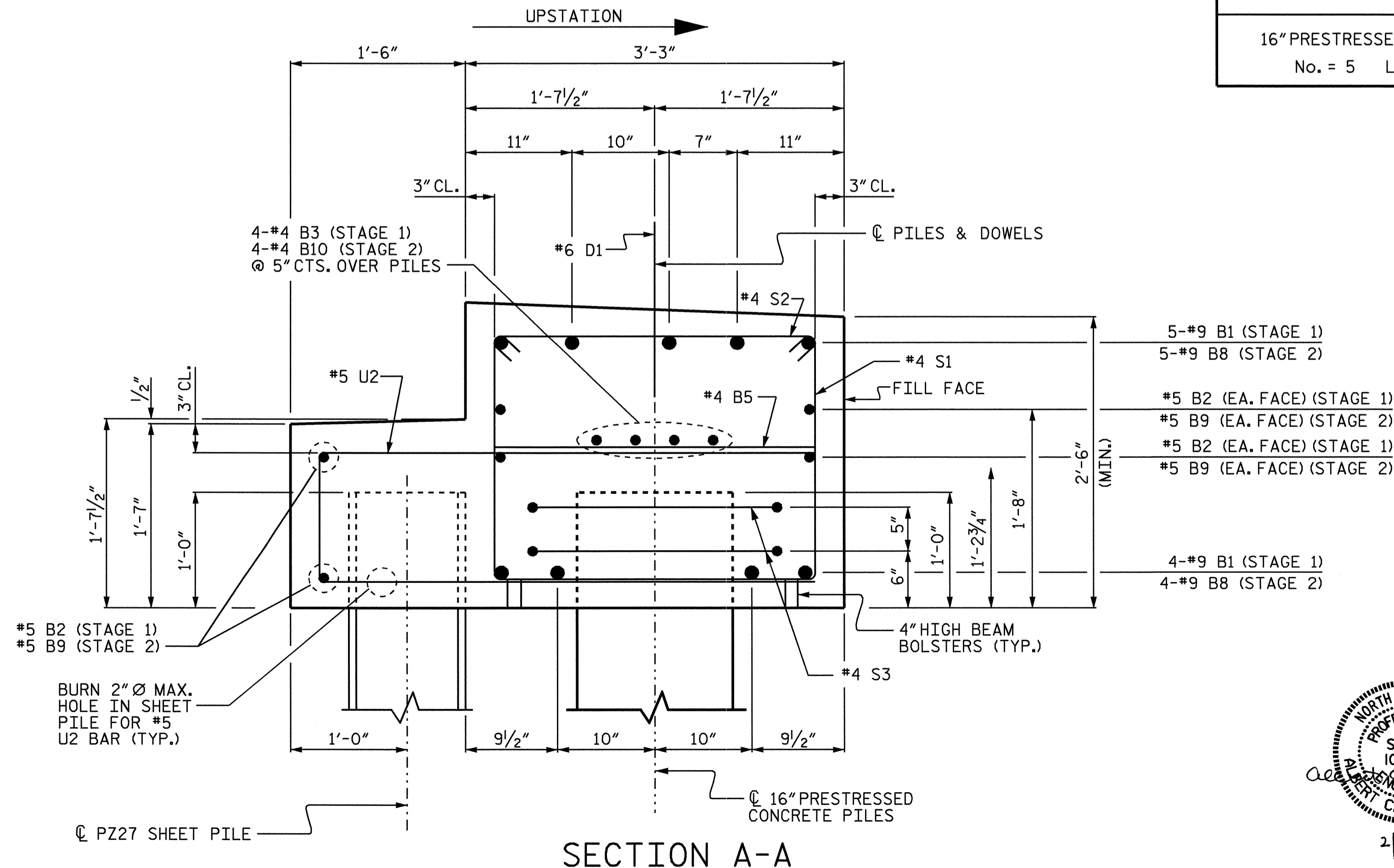
NO SEPARATE PAYMENT WILL BE MADE FOR THIS WORK AND THE ENTIRE COST OF THIS WORK SHALL BE INCLUDED IN THE UNIT CONTRACT PRICE BID FOR THE SEVERAL PAY ITEMS.

### TEMPORARY DRAINAGE AT END BENT



BILL OF MATERIAL											
END BENT No. 2											
STAGE 1					STAGE 2						
BAR	No.	SIZE	TYPE	LENGTH	WEIGHT	BAR	No.	SIZE	TYPE	LENGTH	WEIGHT
B1	9	9	1	29'-11"	915	B5	5	4	STR	2'-9"	9
B2	6	5	STR	27'-9"	174	B6	4	5	STR	9'-10"	41
B3	4	4	STR	27'-9"	74	B7	2	5	STR	8'-10"	18
B4	5	4	STR	18'-4"	61	B8	9	9	1	17'-11"	548
B5	7	4	STR	2'-9"	13	B9	6	5	STR	17'-9"	111
B6	4	5	STR	9'-10"	41	B10	4	4	STR	17'-9"	47
B7	2	5	STR	8'-10"	18	B11	5	4	STR	8'-4"	28
D1	16	6	STR	1'-6"	36	D1	10	6	STR	1'-6"	23
H1	6	4	2	8'-9"	35	H1	6	4	2	8'-9"	35
H2	6	4	2	8'-3"	33	H2	6	4	2	8'-3"	33
K1	3	4	STR	3'-6"	7	K1	3	4	STR	3'-6"	7
K2	3	4	STR	3'-2"	6	K2	3	4	STR	3'-2"	6
S1	26	4	4	7'-5"	129	S1	18	4	4	7'-5"	89
S2	26	4	3	3'-6"	61	S2	18	4	3	3'-6"	42
S3	10	4	5	8'-1"	54	S3	6	4	5	8'-1"	32
U1	12	4	6	5'-9"	46	U1	6	4	6	5'-9"	23
U2	26	5	6	9'-6"	258	U2	18	5	6	9'-6"	178
U3	1	5	6	9'-2"	10	U3	1	5	6	9'-2"	10
U4	9	5	6	8'-2"	77	U4	9	5	6	8'-2"	77
U5	2	4	6	4'-9"	6	U5	2	4	6	4'-9"	6
V1	25	4	STR	4'-5"	74	V1	25	4	STR	4'-5"	74
EPOXY COATED REINFORCING STEEL					2,128 LBS.	EPOXY COATED REINFORCING STEEL					1,437 LBS.
CLASS AA CONCRETE BREAKDOWN						CLASS AA CONCRETE BREAKDOWN					
POUR #1 CAP & BOTT. OF WING W2					13.5 C.Y.	POUR #1 CAP & BOTT. OF WING W1					9.7 C.Y.
POUR #2 TOP OF WING W2					1.0 C.Y.	POUR #2 TOP OF WING W1					1.0 C.Y.
POUR #3 LATERAL GUIDE					0.1 C.Y.	POUR #3 LATERAL GUIDE					0.1 C.Y.
TOTAL CLASS AA CONCRETE					14.6 C.Y.	TOTAL CLASS AA CONCRETE					10.8 C.Y.
18" STEEL SHEET PILES						18" STEEL SHEET PILES					
No. PZ27 = 25 SQ. FT. = 1348.6						No. PZ27 = 17 SQ. FT. = 917.1					
No. BW2750 = 1 SQ. FT. = 53.9						No. BW2750 = 1 SQ. FT. = 53.9					
TOTAL No. = 26 SQ. FT. = 1402.5						TOTAL No. = 18 SQ. FT. = 971.0					
16" PRESTRESSED CONCRETE PILES						16" PRESTRESSED CONCRETE PILES					
No. = 5 LIN. FT. = 275.0						No. = 3 LIN. FT. = 165.0					

TOTAL QUANTITIES (END BENT No. 2)			
ITEM	STAGE 1	STAGE 2	TOTAL
EPOXY COATED REINFORCING STEEL	2,128 LBS.	1,437 LBS.	3,565 LBS.
CLASS AA CONCRETE	14.6 C.Y.	10.8 C.Y.	25.4 C.Y.
18" STEEL SHEET PILES	No. 26 SQ. FT. 1402.5	No. 18 SQ. FT. 971.0	No. 44 SQ. FT. 2373.5
16" PRESTRESSED CONCRETE PILES	No. 5 LIN. FT. 275.0	No. 3 LIN. FT. 165.0	No. 8 LIN. FT. 440.0

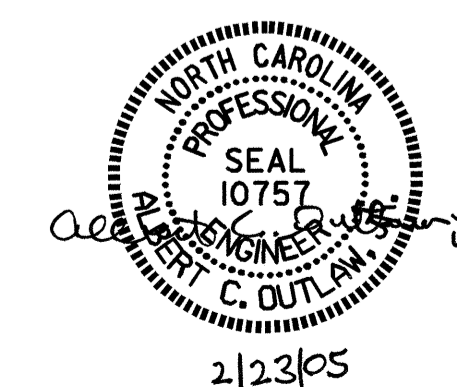


PROJECT NO. B-3348  
HYDE COUNTY  
STATION: 18+34.00 -L-

SHEET 6 OF 6

STATE OF NORTH CAROLINA  
DEPARTMENT OF TRANSPORTATION  
RALEIGH

SUBSTRUCTURE  
END BENT No. 2



DRAWN BY: P.C. BREWER DATE: 3/2/04  
CHECKED BY: C.H. SIMPSON DATE: 4/5/04

22-FEB-2005 09:21  
E:\squad\B3348\str\1\pbrewer\Microstation\B3348.sd\_EB2.01.dgn  
pbrewer

REVISIONS						SHEET NO.	
NO.	BY:	DATE:	NO.	BY:	DATE:	S-28	
1			3			TOTAL SHEETS	
2			4			76	

STR. #1