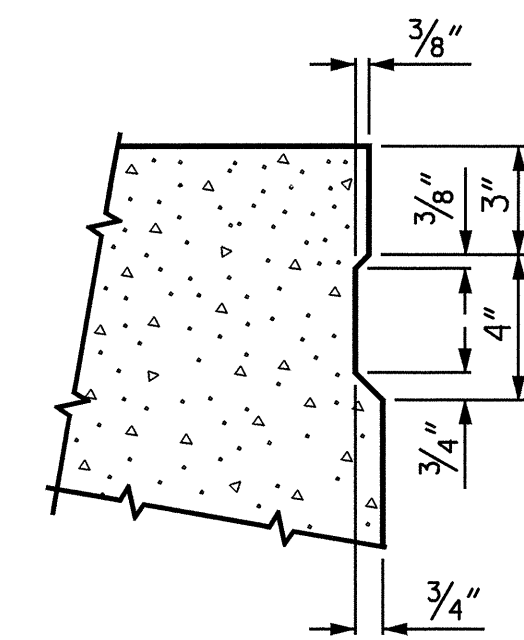


HALF SECTION AT INTERMEDIATE DIAPHRAGM

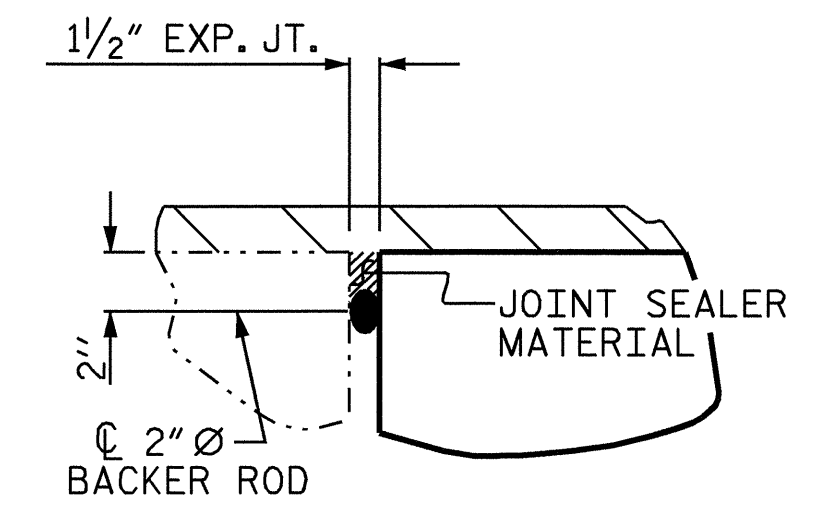
HALF SECTION AT VOIDS

**TYPICAL SECTION**

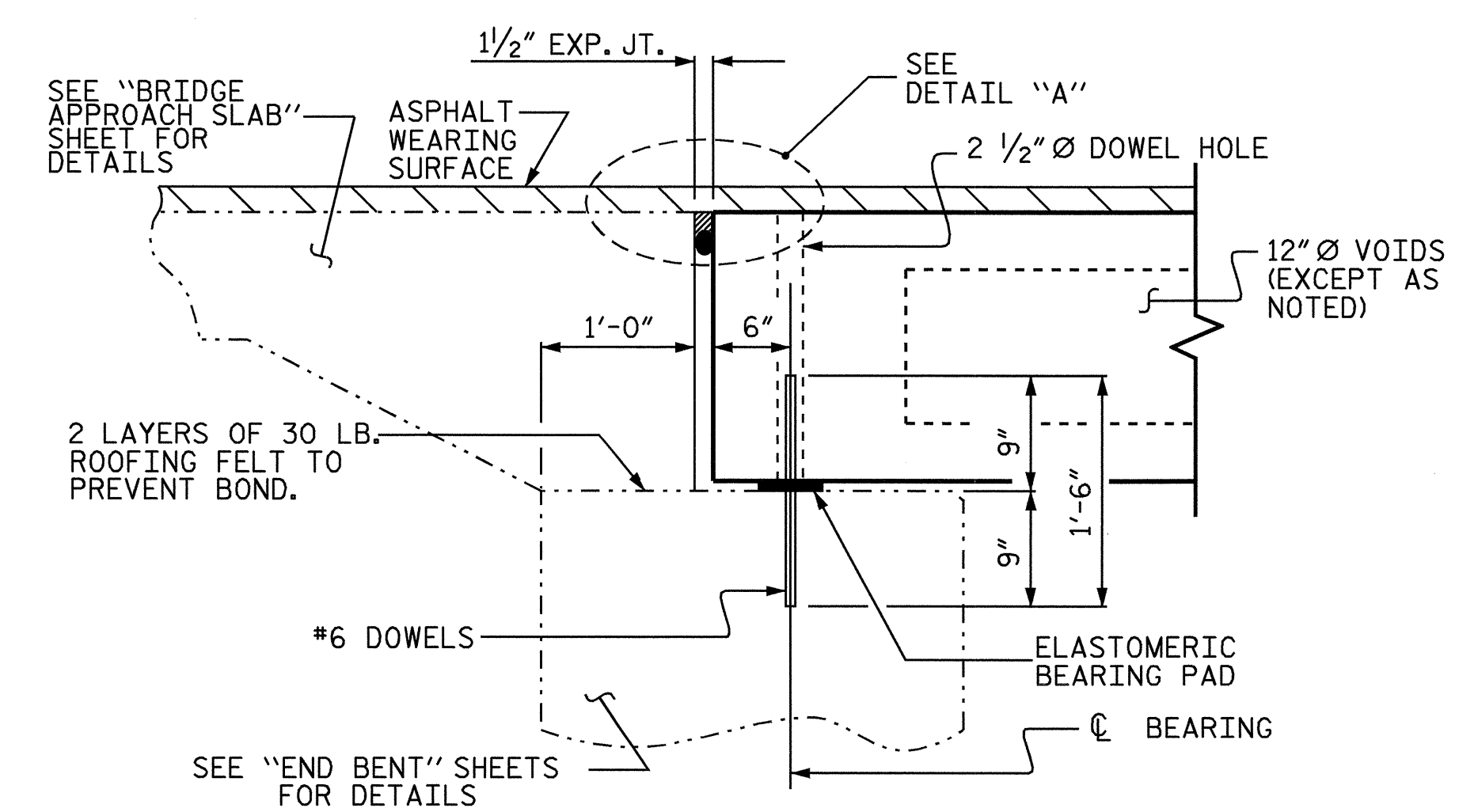
FINAL BRIDGE (STAGE 1 AND 2 COMPLETE)  
(FOR VIEWS A-A, B-B, & C-C, SEE SHEET 2 OF 2)



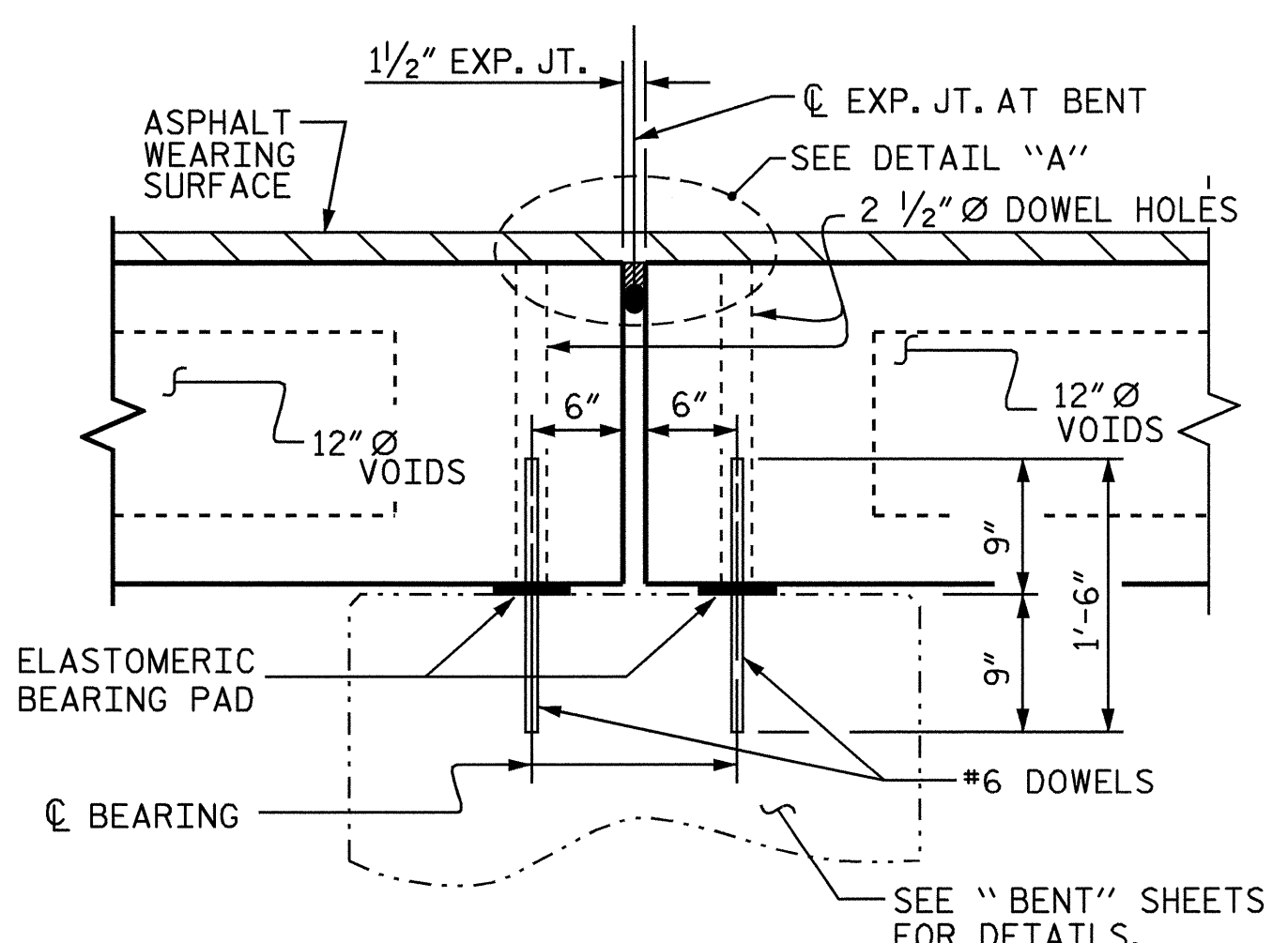
**SHEAR KEY DETAIL**  
NOTE: OMIT SHEAR KEY ON OUTSIDE FACE OF EXTERIOR CORED SLABS. (TYPE I & TYPE VI)



**DETAIL "A"**



**SECTION AT END BENT**



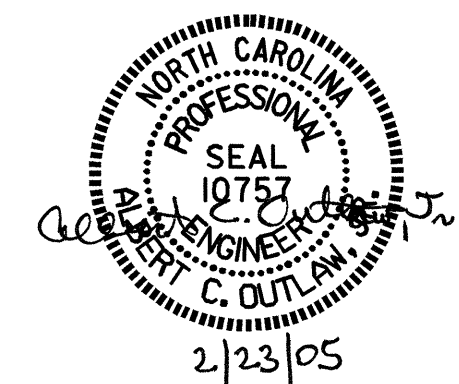
**SECTION AT BENT**

PROJECT NO. B-3348  
HYDE COUNTY  
STATION: 22+85.00 -L-

SHEET 1 OF 2

STATE OF NORTH CAROLINA  
DEPARTMENT OF TRANSPORTATION  
RALEIGH

SUPERSTRUCTURE  
TYPICAL SECTION



REVISIONS						SHEET NO.	
NO.	BY:	DATE:	NO.	BY:	DATE:	S-36	
1			3			TOTAL SHEETS	76
2			4				

DRAWN BY: P.C. BREWER DATE: 1/15/03  
CHECKED BY: T.N. CARROLL DATE: 3/10/03

22-FEB-2005 09:46  
E:\squad\b3348\str2\pbrewer\Microstation\B3348.sd.cs.02.dgn  
pbrewer