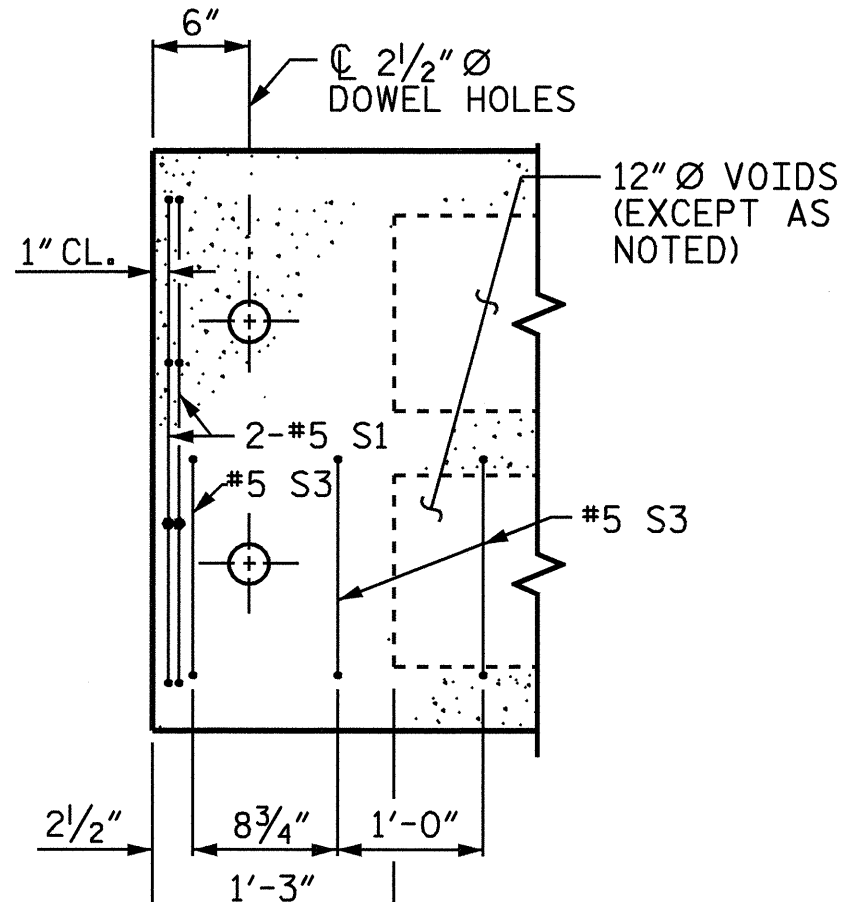
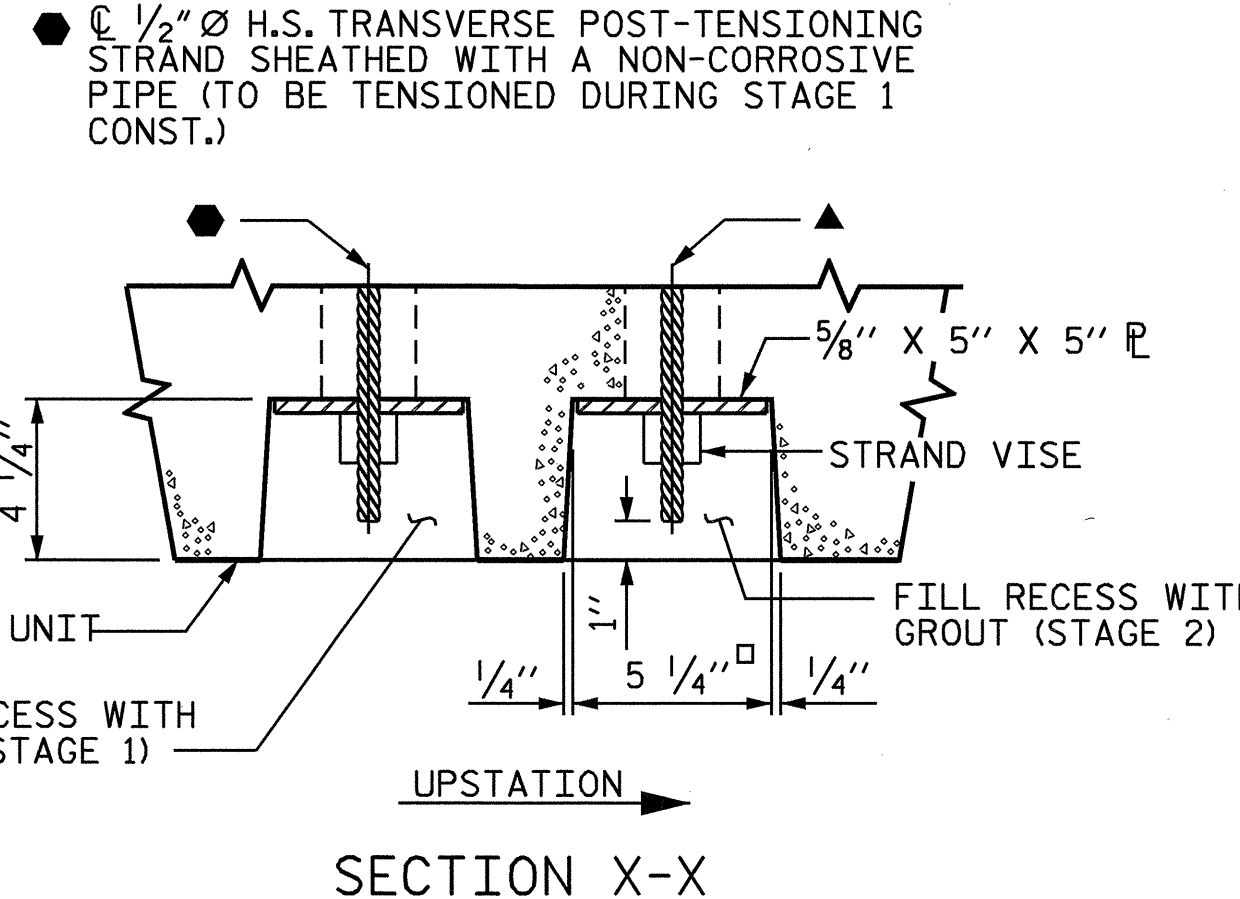


NOTE:
FOR LOCATION OF
VIEWS, SEE SHEET
1 OF 2

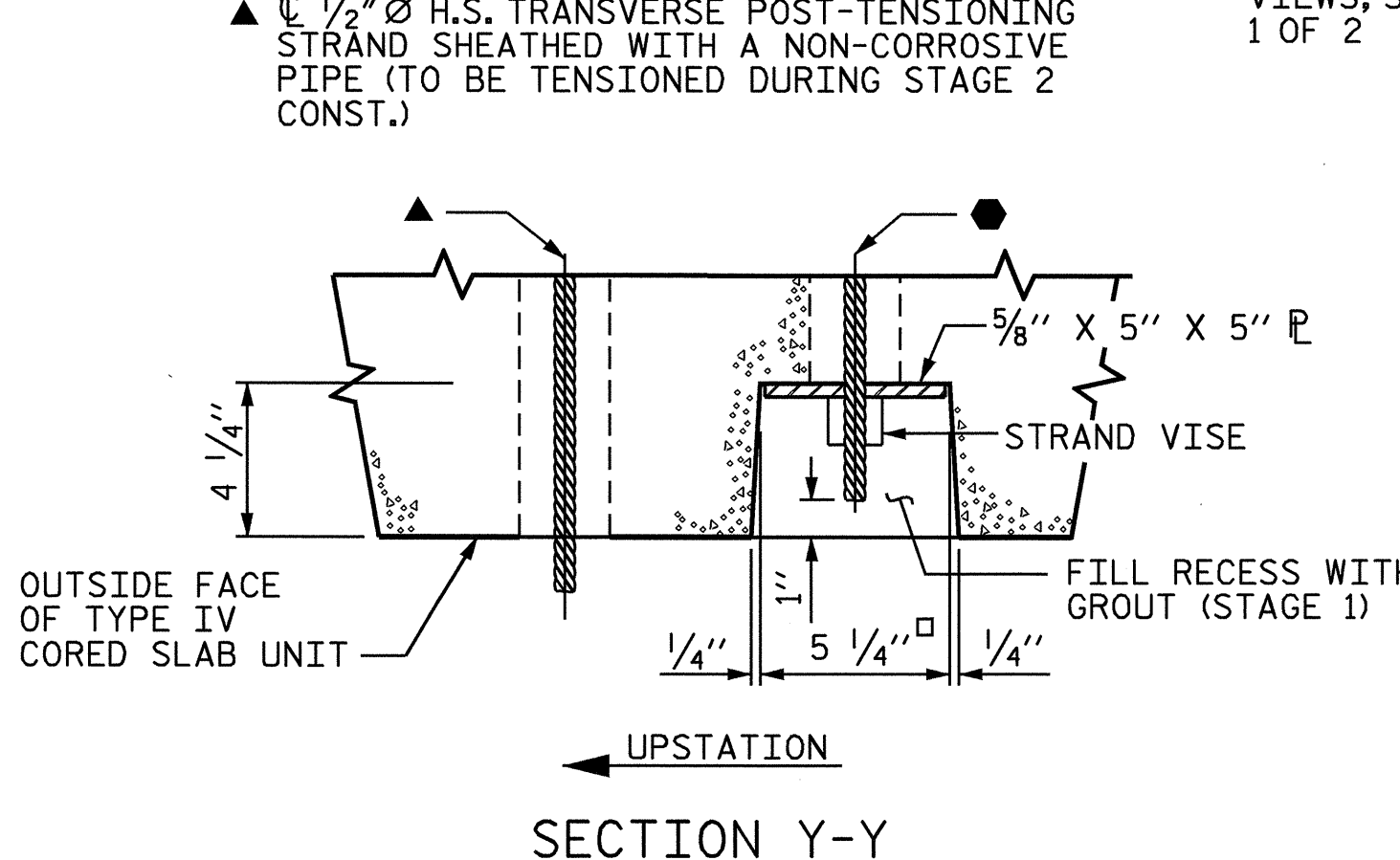


PART PLAN-EXTERIOR SECTION

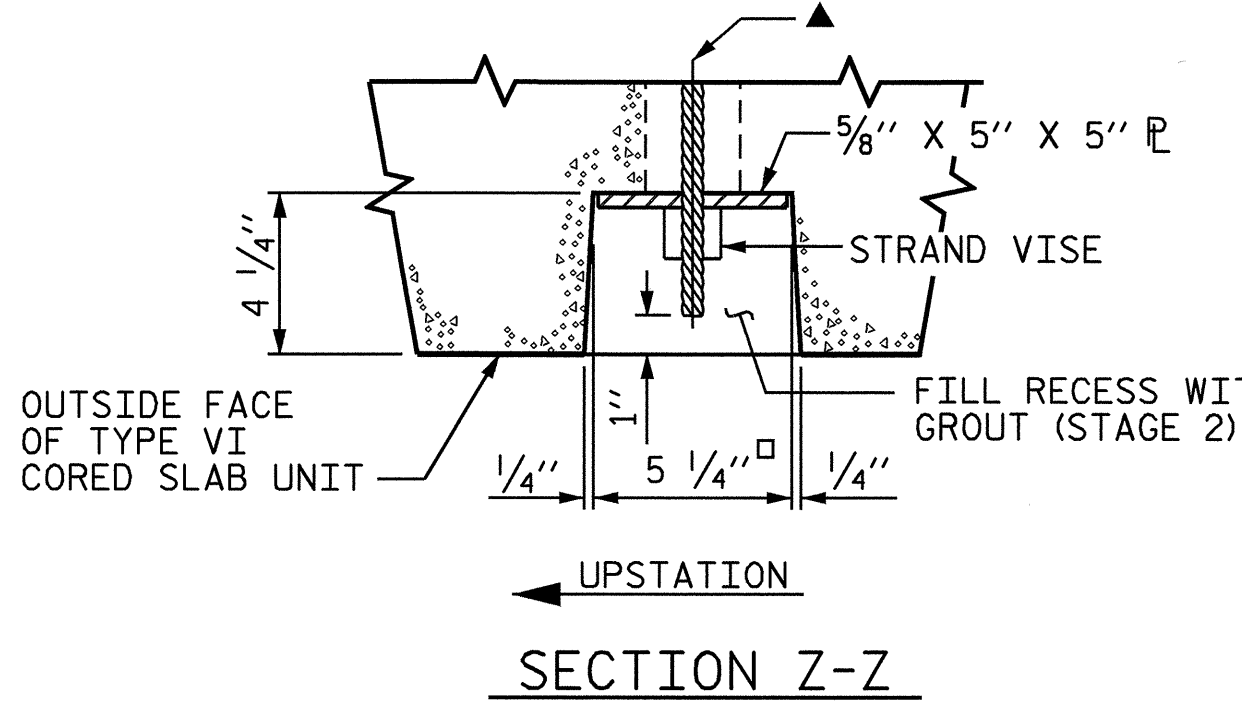
NOTE: EXTERIOR SECTION SHOWN-INTERIOR SECTION
SIMILAR EXCEPT OMIT S3 BARS.



SECTION X-X

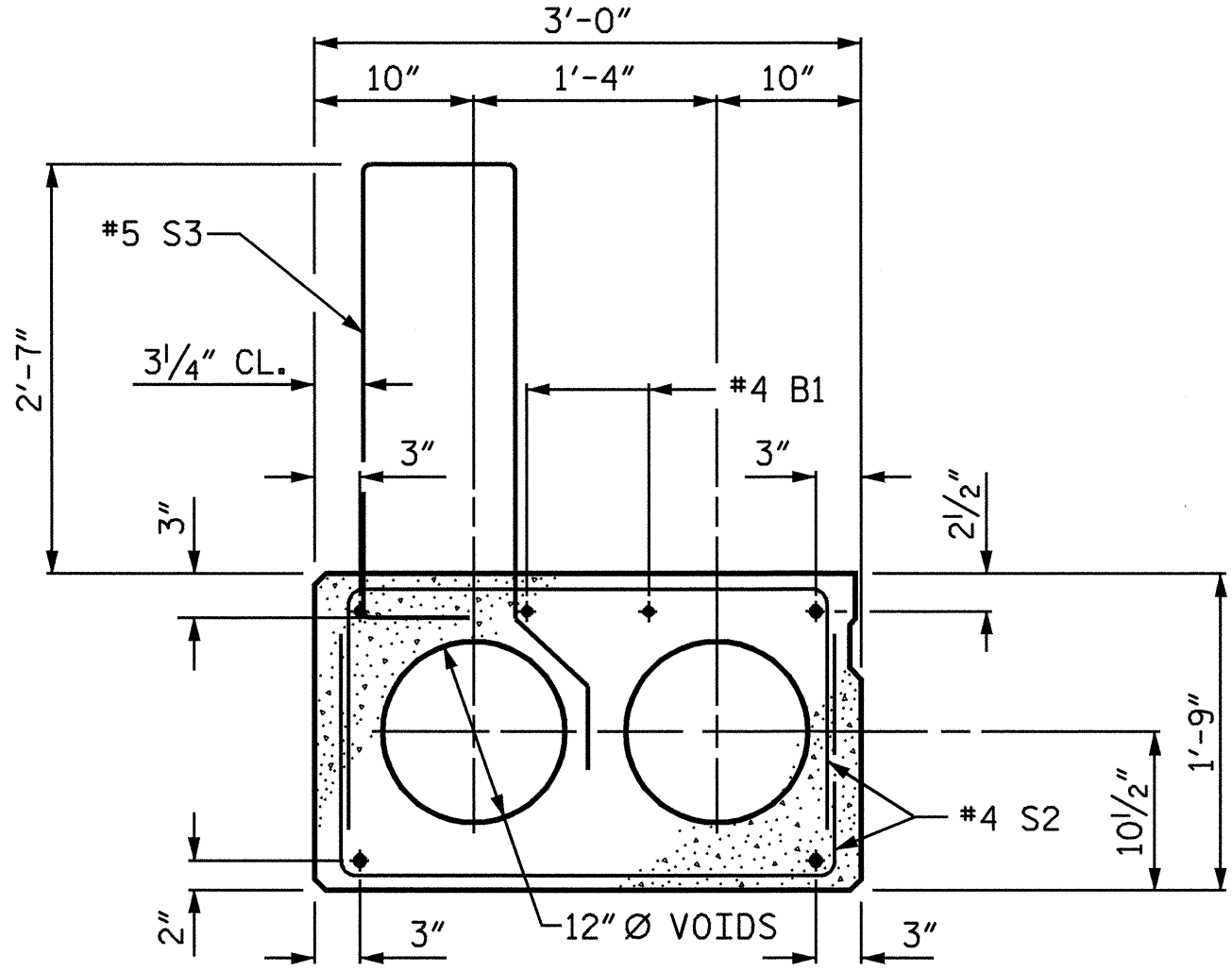


SECTION Y-Y



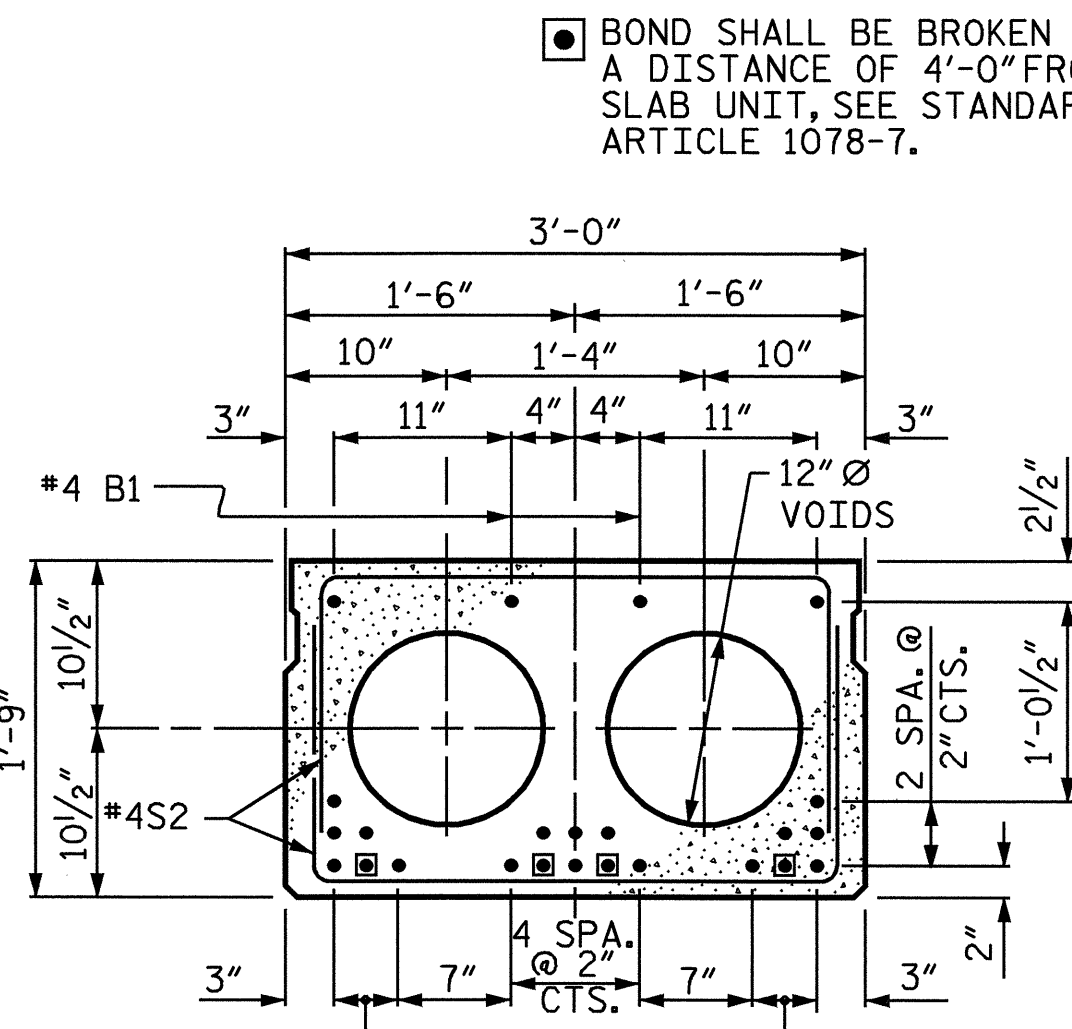
SECTION Z-Z

ROUTED RECESS AT END OF POST-TENSIONED STRAND FOR CORED SLABS



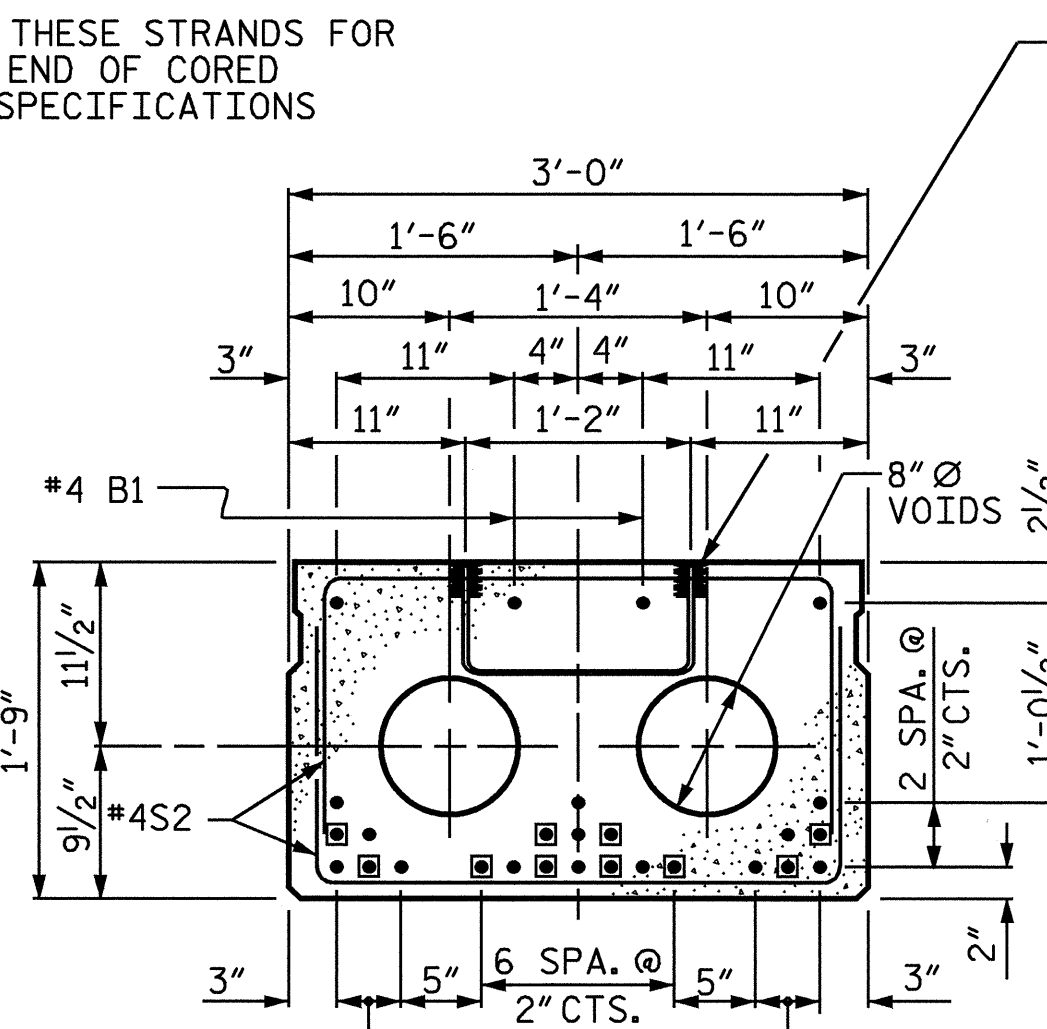
EXTERIOR SLAB SECTION

(FOR PRESTRESSED STRAND LAYOUT, SEE
INTERIOR SLAB SECTION.)



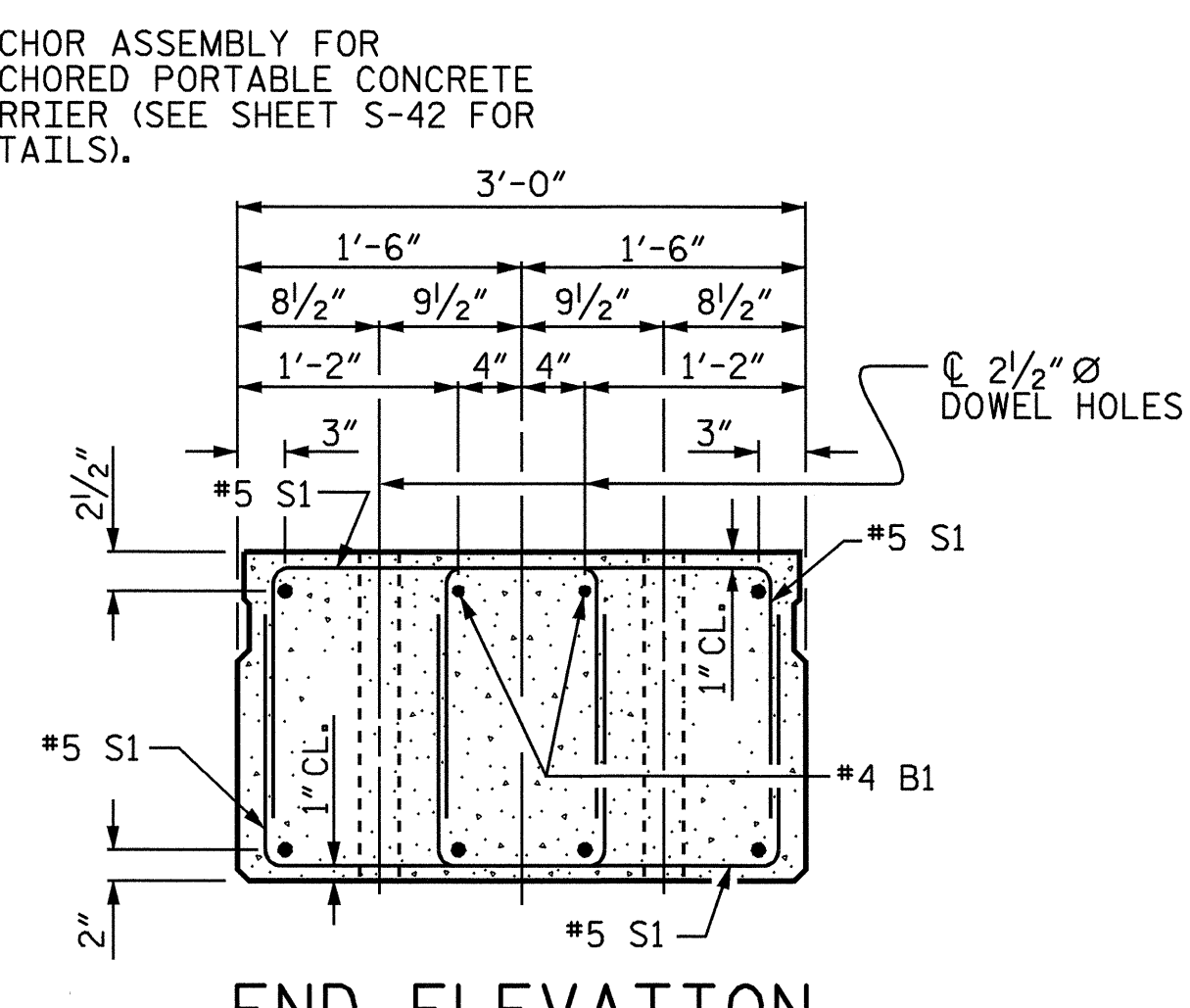
**INTERIOR SLAB SECTION
1/2" Ø LOW RELAXATION
STRAND LAYOUT**

(TYP. EA. CORED SLAB UNIT EXCEPT TYPE III)
(22 STRANDS)



**INTERIOR SLAB SECTION
1/2" Ø LOW RELAXATION
STRAND LAYOUT**

(FOR TYPE III CORED SLAB UNIT ONLY)
(25 STRANDS)



END ELEVATION

(TYP. EA. CORED SLAB UNIT)
SHOWING PLACEMENT OF DOUBLE STIRRUPS AND
LOCATION OF DOWEL HOLES.
(STRAND LAYOUT NOT SHOWN.)
INTERIOR SLAB SECTION SHOWN-EXTERIOR SLAB
SECTION SIMILAR EXCEPT SHEAR KEY LOCATION.

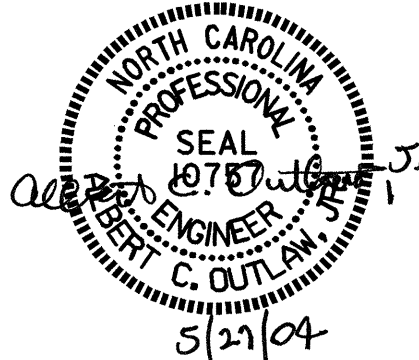
□ BOND SHALL BE BROKEN ON THESE STRANDS FOR
A DISTANCE OF 4'-0" FROM END OF CORED
SLAB UNIT, SEE STANDARD SPECIFICATIONS
ARTICLE 1078-7.

ANCHOR ASSEMBLY FOR
ANCHORED PORTABLE CONCRETE
BARRIER (SEE SHEET S-42 FOR
DETAILS).

PROJECT NO. B-3348
HYDE COUNTY
STATION: 22+85.00 -L-

SHEET 2 OF 2

STATE OF NORTH CAROLINA
DEPARTMENT OF TRANSPORTATION
RALEIGH
SUPERSTRUCTURE
TYPICAL SECTION



REVISIONS						SHEET NO.
NO.	BY:	DATE:	NO.	BY:	DATE:	S-37
1			3			TOTAL SHEETS
2			4			76

DRAWN BY: P.C. BREWER DATE: 1/15/03
CHECKED BY: T.N. CARROLL DATE: 3/10/03

27-MAY-2004 09:11
W:\squad\b3348\str2\pbrewer\Microstation\B3348.sd_CS.02.dgn
pbrewer