

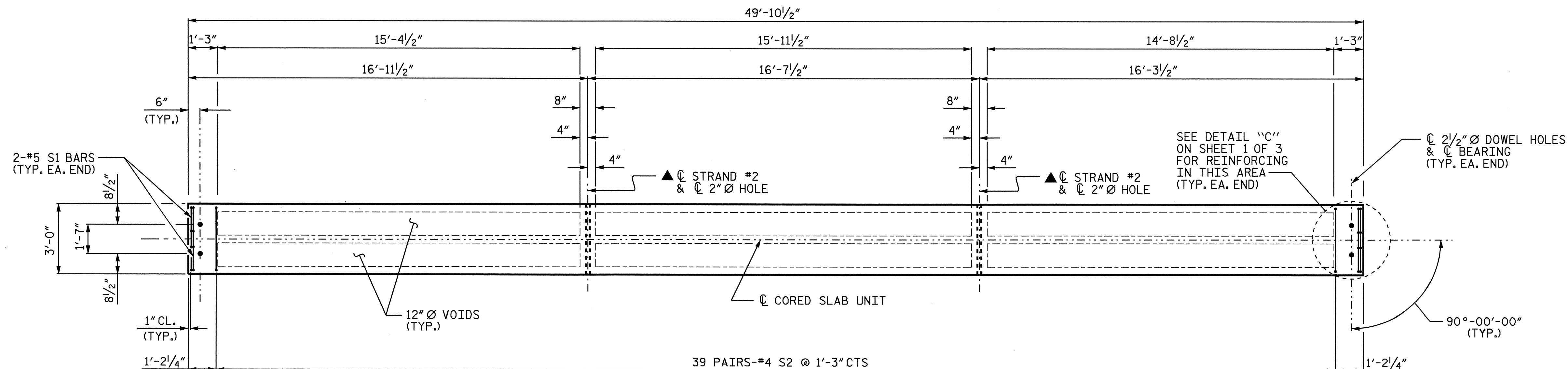
**NOTES:**

FOR GROUTED RECESS SEE "SUPERSTRUCTURE TYPICAL SECTION" SHEET 2 OF 2.

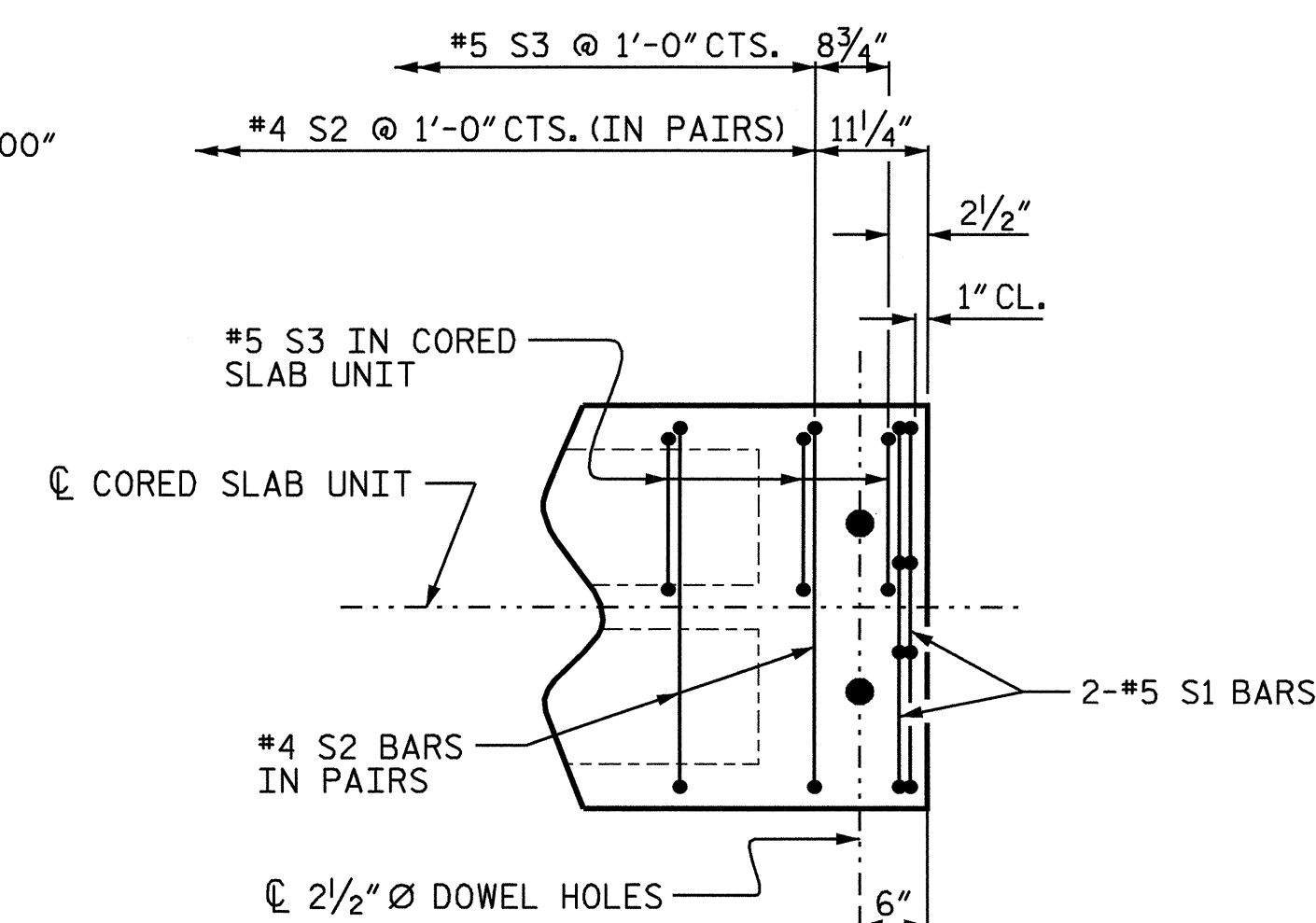
▲ STRAND #2 GOES THRU ALL 13 CORED SLAB UNITS (TO BE TENSIONED DURING STAGE 2 CONSTRUCTION)

▲ STRAND #2 IS 1/2" Ø H.S. TRANSVERSE POST-TENSIONING STRAND.

THE #4 S2 AND #5 S3 BARS MAY BE SHIFTED SLIGHTLY IN ORDER TO MAINTAIN A 2" MIN. CLEARANCE TO THE 2" Ø HOLES.

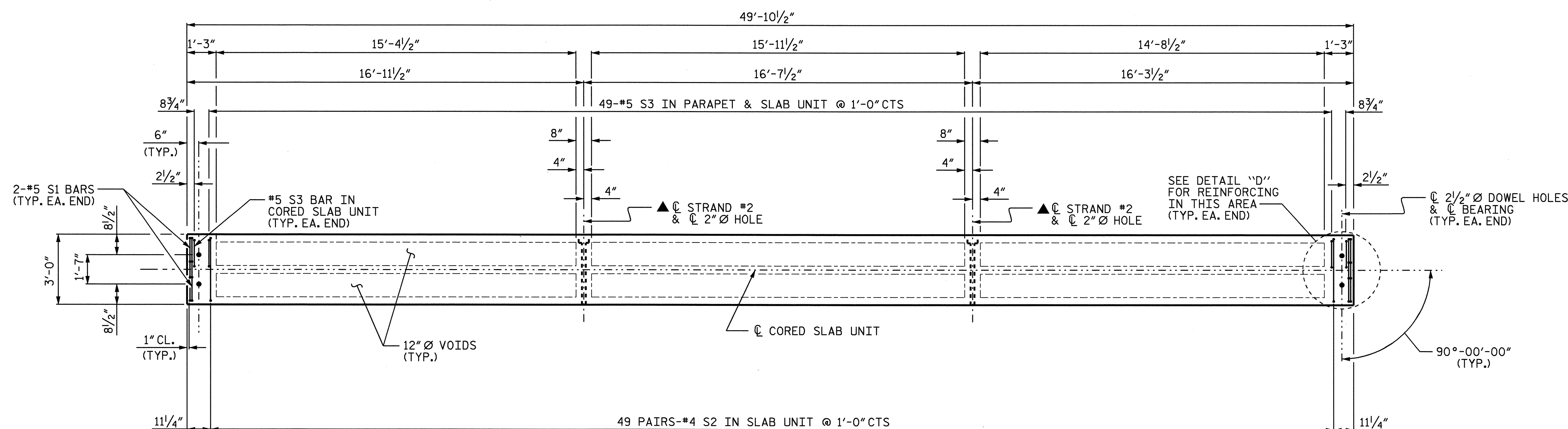


**PLAN OF TYPE V CORED SLAB UNIT (STAGE 2)**



**DETAIL "D"**

(EACH END SIMILAR)



**PLAN OF TYPE VI CORED SLAB UNIT (STAGE 2)**

PROJECT NO. B-3348

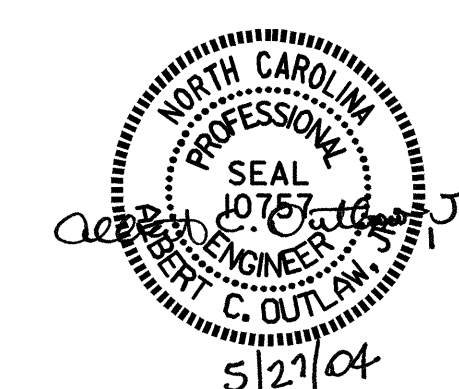
HYDE COUNTY

STATION: 22+85.00 -L-

SHEET 3 OF 3

STATE OF NORTH CAROLINA  
DEPARTMENT OF TRANSPORTATION  
RALEIGH

3'-0" X 1'-9"  
PRESTRESSED CONCRETE  
CORED SLAB UNIT  
DETAILS



REVISIONS						SHEET NO.
NO.	BY:	DATE:	NO.	BY:	DATE:	S-43
1			3			TOTAL SHEETS 76
2			4			

DRAWN BY: P.C. BREWER DATE: 1/15/03  
CHECKED BY: T.N. CARROLL DATE: 3/10/03

27-MAY-2004 09:07  
#:\sqad\B3348\str2\pbrewer\Microstation\B3348\_sd\_CS\_02.dgn  
pbrewer