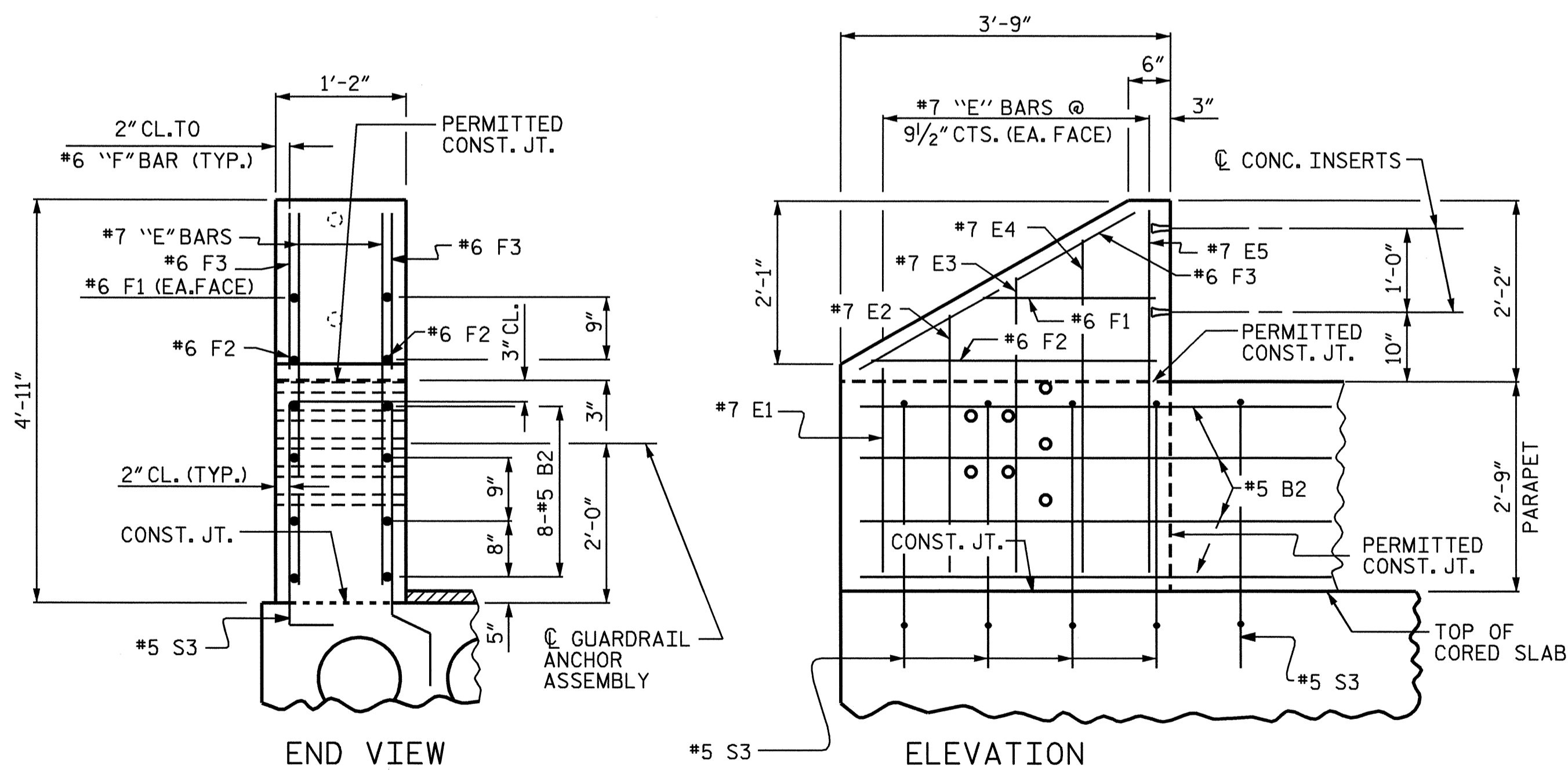
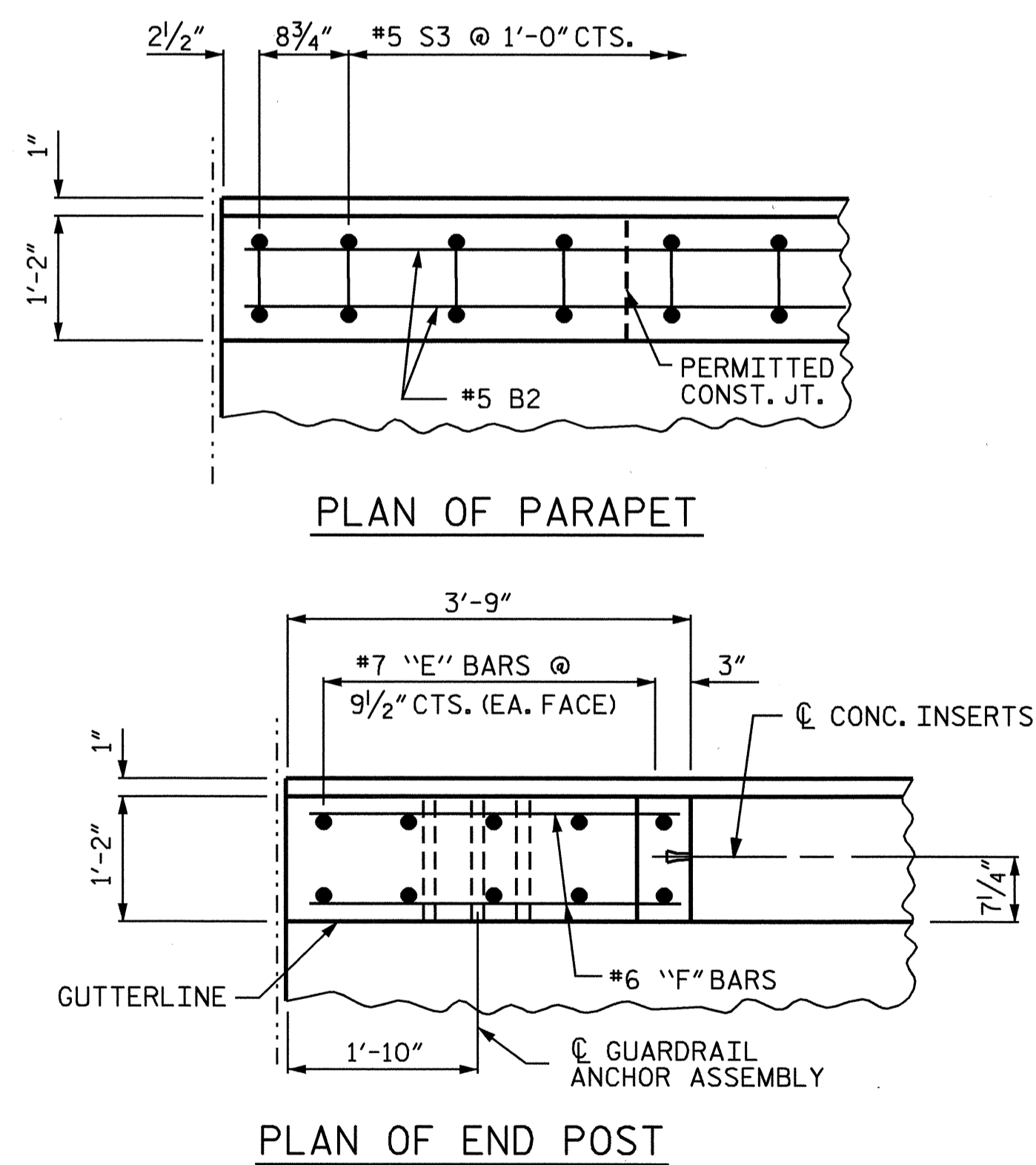


**PLAN OF PARAPET**

FOR #5 S3 BARS IN SLAB AND PARAPET, SEE "3'-0" X 1'-9" PRESTRESSED CONCRETE CORED SLAB UNIT DETAILS" SHEETS.



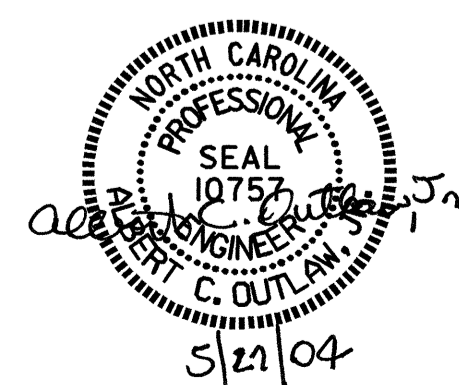
BILL OF MATERIAL					
PARAPET AND END POSTS					
BAR	NO.	SIZE	TYPE	LENGTH	WEIGHT
*B2	64	#5	STR	49'-6"	3304
*E1	8	#7	STR	2'-8"	44
*E2	8	#7	STR	3'-2"	52
*E3	8	#7	STR	3'-8"	60
*E4	8	#7	STR	4'-2"	68
*E5	8	#7	STR	4'-7"	75
*F1	8	#6	STR	1'-10"	22
*F2	8	#6	STR	3'-0"	36
*F3	8	#6	STR	3'-6"	42
*EPOXY COATED REINF. STEEL = 3703 LBS.					
CLASS AA CONCRETE					48.3 C.Y.
CONCRETE PARAPET					400.00 L.F.
* THESE BARS ARE EPOXY COATED					

NOTE: #5 S3 BARS ARE INCLUDED IN BILL OF MATERIAL FOR CORED SLAB SECTION.  
**PROJECT NO. B-3348**  
**HYDE COUNTY**  
**STATION: 22+85.00 -L-**

STATE OF NORTH CAROLINA DEPARTMENT OF TRANSPORTATION RALEIGH					
CONCRETE PARAPET DETAILS					
REVISIONS					SHEET NO.
NO.	BY:	DATE:	NO.	BY:	DATE:
1			3		
2			4		
					TOTAL SHEETS 76

**PARAPET AND END POST FOR TWO BAR RAIL**

NOTE: FOR CONCRETE INSERT DETAILS, SEE "RAIL POST SPACING AND END OF RAIL DETAILS" SHEET.



DRAWN BY: P.C. BREWER DATE: 1/13/03  
 CHECKED BY: T.N. CARROLL DATE: 3/11/03